

# Condulet® Conduit Bodies With Covers

## OE Series

Cl. I, Div. 1 & 2, Groups C, D  
 Cl. II, Div. 1, Groups E, F, G  
 Cl. II, Div. 2, Groups F, G  
 Cl. III  
 NEMA 7CD, 9EFG

Explosionproof  
 Dust-Ignitionproof

**3F**

**3F**

### Applications:

OE series are installed in conduit systems within hazardous areas to:

- Protect conductors in threaded rigid conduit
- Act as pulling and splice fittings
- Interconnect lengths of conduit
- Change direction of conduit
- Provide access for maintenance and future system changes

### Features:

OE conduit outlet bodies have:

- Taper threaded hubs for ground continuity
- Smooth integral hub bushings to protect conductor insulation when pulling
- Five different hub arrangements
- Accurately machined body with blind tapped screw holes
- Most compact design of all hazardous area outlet bodies

### Certifications and Compliances:

- NEC/CEC:
  - Class I, Division 1 & 2, Groups C, D
  - Class II, Division 1, Groups E, F, G
  - Class II, Division 2, Groups F, G
  - Class III
- UL Standard: 1203
- CSA Standard: C22.2 No. 30

### Standard Materials:

- Feraloy® iron alloy (1/2" and 3/4" fittings)
- Copper-free aluminum (1" fittings)

### Standard Finishes:

- Electrogalvanized and aluminum acrylic paint

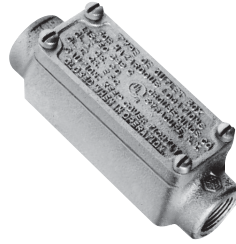
### Options:

**Description** Corro-free™ epoxy powder coat  
**Suffix** S752

### Size Ranges:

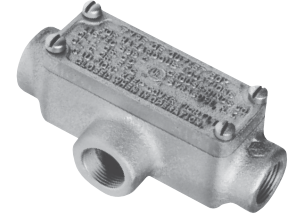
- Hub - 1/2" to 1"

### OEC



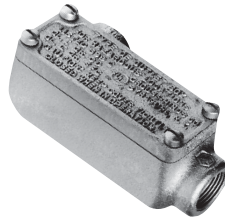
Hub Size	Cat. #
1/2	OEC1
3/4	OEC2
1	OEC3 SA

### OET



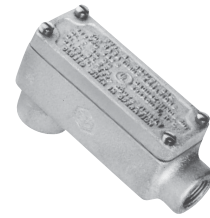
Hub Size	Cat. #
1/2	OET1
3/4	OET2
1	OET3 SA

### OELL



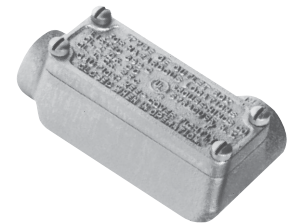
Hub Size	Cat. #
1/2	OELL1
3/4	OELL2
1	OELL3 SA

### OELB



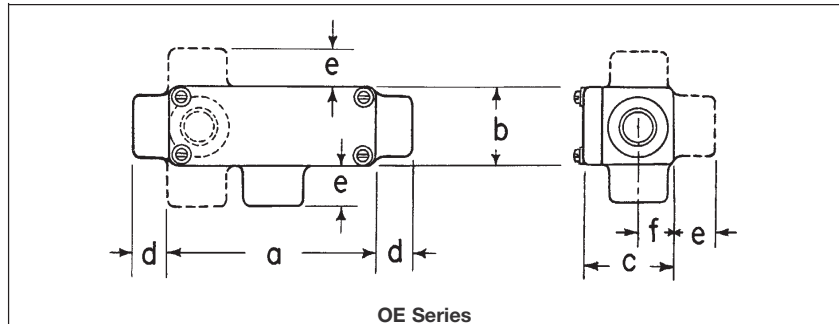
Hub Size	Cat. #
1/2	OELB1
3/4	OELB2
1	OELB3 SA

### OELR



Hub Size	Cat. #
1/2	OELR1
3/4	OELR2
1	OELR3 SA

### Dimensions In Inches:



Hub Size in.	a	b	c	d	e	f
1/2	4 1/16	1 9/16	1 13/16	1 1/16	7/8	3/8
3/4	4 5/16	1 7/8	2 1/16	1 1/16	7/8	3/4