

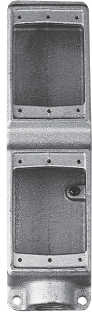
# Condulet® Multi-Gang Device Boxes - Cast Iron or Aluminum

Accessories  
see pages 37-45

2F

With and Without Mounting Lugs for  
Threaded Rigid and IMC Conduit

## FS†



### Two Gang Tandem

Size	Cat. #
1/2	FS17
3/4	FS27

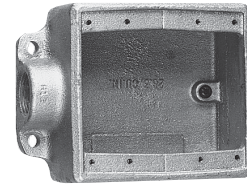
## FSC†



### Two Gang Tandem

Size	Cat. #
1/2	FSC17
3/4	FSC27

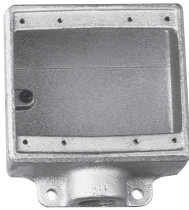
## FSE



### Two Gang

Size	Cat. #
3/4	FSE22

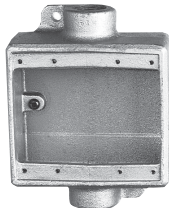
## FS & FD



### Two Gang

Size	Cat. #	Cat. #
1/2	FS12*	FD12
3/4	FS22*	FD22*
1	FS32	FD32

## FSC & FDC



### Two Gang

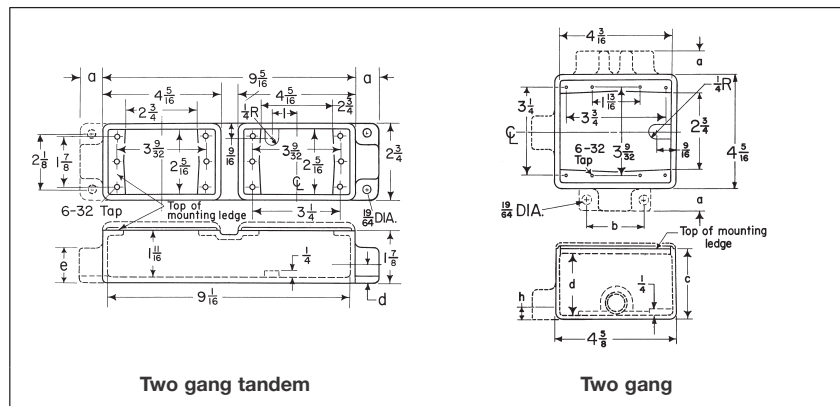
Size	Cat. #	Cat. #
1/2	FSC12	FDC12
3/4	FSC222	FDC222*
1	FSC32	FDC32

†Use single gang covers only.

\*Available in copper-free aluminum;  
add suffix "SA".

## Dimensions

In Inches:



### Two gang tandem

Series	Hub Size	a	b	e
FS	1/2	7/8	5/8	1 1/4
	3/4	7/8	3/4	1 1/2

### Two gang

Series	Hub Size	a	b	c	d	h
FS	1/2	7/8	2 1/4	1 7/8	1 11/16	5/8
	3/4	7/8	2 1/4	1 7/8	1 11/16	3/4
	1	1	2 1/2	1 7/8	1 11/16	7/8
FD	1/2	7/8	2 1/4	2 11/16	2 1/2	5/8
	3/4	7/8	2 1/4	2 11/16	2 1/2	3/4
	1	1	2 1/2	2 11/16	2 1/2	7/8