

EYSX Expanded Fill Sealing Fittings

Chico Sealing Compound and Fiber see pages 155-156

Cl. I, Div. 1 & 2, Groups B, C, D§
 Cl. II, Div. 1, Groups E, F, G
 Cl. II, Div. 2, Groups F, G
 Cl. III

Explosionproof
 Dust-Ignitionproof

6F

Applications:

EYSX Expanded Fill Sealing Fittings:

- Restrict the passage of gases, vapors or flames from one portion of the electrical installation to another at atmospheric pressure and normal ambient temperatures
- Limit explosions to the sealed-off enclosure
- Limit precompression or "pressure piling" in conduit systems
- Provide 40% wire fill capacity to allow uninterrupted runs in a conduit system

Sealing fittings are required:

- At each entrance to an enclosure housing an arcing or sparking device when used in Class I, Division 1 and 2 hazardous locations. To be located as close as practicable and, in no case, more than 18" from such enclosures
- At each entrance of 2" size or larger to an enclosure or fitting housing terminals, splices or taps when used in Class I, Division 1 hazardous locations. To be located as close as practicable and, in no case, more than 18" from such enclosures
- In conduit systems when leaving Class I, Division 1 or 2 hazardous locations
- In cable systems when the cables either do not have a gas/vaportight continuous sheath or are capable of transmitting gases or vapors through the cable core when those cables leave the Class I, Division 1 or 2 hazardous locations

Features:

EYSX Expanded Fill Sealing Fittings provide:

- A 40% wire fill capacity for expanded fill sealing
- Large openings with threaded closures to provide easy access to conduit hubs for making dams
- Integral bushings in conduit hubs to protect conductor insulation from damage
- Taper-tapped hubs to ensure ground continuity
- Minimum turning radius

EYSX Expanded Fill Sealing Fittings are available for installation in both horizontal or vertical positions.

Certifications and Compliances:

• NEC/CEC:

EYSX11 – EYSX81

Class I, Division 1 and 2, Groups B, C, D
 Class II, Division 1, Groups E, F, G
 Class II, Division 2, Groups F, G
 Class III

EYSX9, EYSX10, EYSX1 SA – EYSX10 SA

Class I, Division 1 and 2, Groups C, D
 Class II, Division 1, Groups E, F, G
 Class II, Division 2, Groups F, G
 Class III

- UL Standard: 1203
- CSA Standard: C22.2 No. 30

Standard Materials:

- Bodies – *Feraloy*® iron alloy and/or ductile iron or copper-free aluminum (SA Suffix)
- Closures – *Feraloy* iron alloy and/or steel or copper-free aluminum (SA Suffix)

Standard Finishes:

- Feraloy* iron alloy and ductile iron – electrogalvanized and aluminum acrylic paint
- Steel – electrogalvanized
- Copper-free aluminum – natural

Options:

Description
 Copper-free aluminum bodies and enclosures

Suffix

SA

Size Ranges:

- 1/2" – 4"

Ordering Information For Sealing in Vertical or Horizontal Positions

Hub Size	Female Cat. #	Internal Volume in Cubic Inches	
		Vertical	Horizontal
1/2	EYSX11*	2	2
1/2	EYSX1 SA	2	2
3/4	EYSX21*	3	3 3/4
3/4	EYSX2 SA	3	3 3/4
1	EYSX31	6	8
1	EYSX3 SA	6	8
1 1/4	EYSX41	19	22 3/4
1 1/4	EYSX4 SA	19	22 3/4
1 1/2	EYSX51	19	22 3/4
1 1/2	EYSX5 SA	19	22 3/4
2	EYSX61	56	64 1/2
2	EYSX6 SA	56	64 1/2
2 1/2	EYSX71	72	82
2 1/2	EYSX7 SA	72	82
3	EYSX81	95	110
3	EYSX8 SA	95	110
3 1/2	EYSX9*	200	222
3 1/2	EYSX9 SA	200	222
4	EYSX10*	200	222
4	EYSX10 SA	200	222

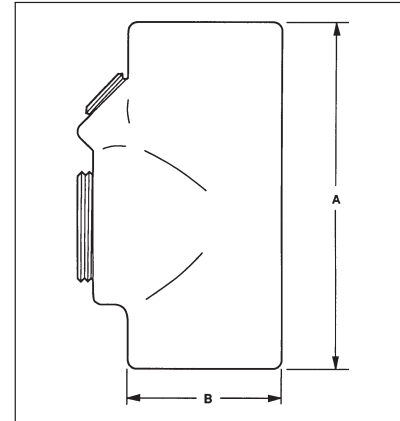


Vertical or horizontal female

Sealing fittings are approved for use in hazardous locations only when *Chico*® X fiber and *Chico A* sealing compound or *Chico SpeedSeal* are used to make the seal.

Dimensions

In Inches:



NPT Size	A	B	Turning Radius
1/2	3 11/16	1 1/2	1 1/4
3/4	4 5/16	1 3/4	1 3/8
1	5 1/16	2 3/16	1 23/32
1 1/4	6 7/4	3	2 5/16
1 1/2	6 1/4	3	2 5/16
2	8 1/2	4 1/4	3 5/16
2 1/2	9 7/16	4 3/4	3 - 7/16 ‡
3	9 3/4	5 1/4	3 - 11/16 ‡
3 1/2	11 1/16	6 1/2	4 - 19/32 ‡
4	11 7/16	6 1/2	4 - 19/32 ‡

§ See Certifications and Compliances for classification of each product.

‡With plug cover removed.

**Feraloy*®