

5F Unions and Elbows

Cl. I, Div. 1 & 2, Groups A, B, C, D†
 Cl. II, Div. 1, Groups E, F, G
 Cl. II, Div. 2, Groups F, G
 Cl. III
 Explosionproof
 Dust-Ignitionproof

5F

Applications:

- UNY and UNF unions are installed in threaded thickwall conduit systems:
- UNY – to connect conduit to a conduit fitting, junction box or device enclosure
 - UNF – to connect conduit to conduit, or to provide a means for future modification of the conduit system

UNA unions are used in conduit and fitting installations when entrance angle is between 90° and 180°.

EL elbows are installed in conduit run or in box or fitting hub:

- To change direction in threaded rigid conduit run by 90°, or when terminating at a box or fitting

Features:

- UNY, UNF and UNL unions have:
- Compact design which permits assembly with a minimum of clearance to other adjacent conduit and/or equipment
 - Strong and durable construction
- UNA unions:
- Have a single clamping nut on angle, making it both a union and a connector
 - Permit conduit joints at angles between 90° and 180°
- EL elbows have a smooth interior and are both strong and compact.

Certifications and Compliances:

- NEC/CEC:

Class I, Division 1 & 2, Groups A, B, C, D
 Class II, Division 1, Groups E, F, G
 Class II, Division 2, Groups F, G
 Class III
 EL ½", ¾", 1"
 UNF/UNY 105, -215, -205, -305
 UNL 105, -125, -215, -205

Class I, Division 1 & 2, Groups B, C, D
 Class II, Division 1, Groups E, F, G
 Class II, Division 2, Groups F, G
 Class III
 UNF/UNY406, -506,
 -606, -706, -806,
 -905, -1005

Class I, Division 1 & 2, Groups C, D
 Class II, Division 1, Groups E, F, G
 Class II, Division 2, Groups F, G
 Class III
 EL, UNF, UNL, UNY - all sizes

Class I, Division 1 & 2, Group D
 Class II, Division 1, Groups E, F, G
 Class II, Division 2, Groups F, G
 Class III
 UNA

- UL Standard: 1203
- CSA Standard: C22.2 No. 30

†See compliances for classification of each product.

Standard Materials:

- UNY, UNF unions – ½" to 1" – steel
- UNY, UNF unions – 1¼" to 6" – *Feraloy*® iron alloy
- UNL, UNA unions – *Feraloy* iron alloy
- EL elbows – *Feraloy* iron alloy or ductile iron

Standard Finishes:

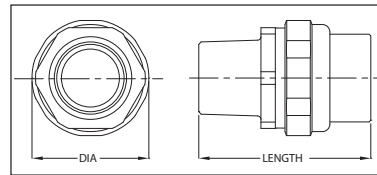
- Steel – electrogalvanized with chromate treatment
- *Feraloy* iron alloy, malleable iron – electrogalvanized and aluminum acrylic paint

Options:

Description
 Copper-free aluminum
 Not available on UNA or 5" and 6" UNY/UNF

Suffix SA

UNY



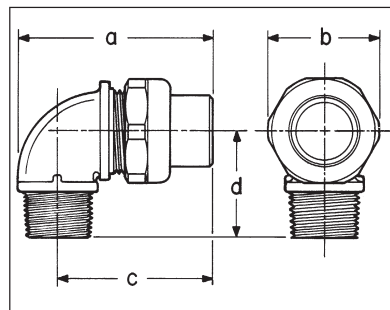
UNL



90° Angle

Size	Cat. #
½ to ½	UNL105
¾ female to ½ male	UNL125
½ female to ¾ male	UNL215
¾ to ¾	UNL205

Dimensions In Inches:



Size	Cat. #	Size	Cat. #
½	UNY105	½	UNF105
½ female to ¾ male	UNY215	¾ to ½	UNF215
¾	UNY205	¾	UNF205
1	UNY305	1	UNF305
1¼	UNY405	1¼	UNF405
1¼	UNY406	1¼	UNF406
1½	UNY505	1½	UNF505
1½	UNY506	1½	UNF506
2	UNY605	2	UNF605
2	UNY606	2	UNF606
2½	UNY705	2½	UNF705
2½	UNY706	2½	UNF706
3	UNY805	3	UNF805
3	UNY806	3	UNF806
3½	UNY905	3½	UNF905
4	UNY1005	4	UNF1005
5	UNY012	5	UNF012
6	UNY014	6	UNF014

UNY			UNF	
Size	Length	Max. Dia.	Length	Max. Dia.
½	2 ⁵ / ₁₆	1½	1 ¹³ / ₁₆	1½
¾ - ½	2 ¹¹ / ₁₆	1 ¹³ / ₁₆	1¾	1 ¹³ / ₁₆
¾	2 ¹¹ / ₁₆	1 ¹³ / ₁₆	1¾	1 ¹³ / ₁₆
1	3	1 ⁷ / ₈	2	1 ⁷ / ₈
1¼	3 ¹ / ₁₆	2¾	2¼	2¾
1½	4¼	3 ¹ / ₁₆	2 ⁵ / ₈	3 ¹ / ₁₆
2	4¼	3 ¹³ / ₁₆	2 ⁹ / ₁₆	3 ¹³ / ₁₆
2½	5 ⁷ / ₁₆	4 ⁵ / ₁₆	3 ³ / ₁₆	4 ⁵ / ₁₆
3	5¾	5 ¹ / ₁₆	3 ⁷ / ₁₆	5 ¹ / ₁₆
3½	6½	5 ¹¹ / ₁₆	4 ⁷ / ₈	5 ¹ / ₁₆
4	6 ⁵ / ₈	6 ³ / ₁₆	4 ⁷ / ₈	6 ¹ / ₁₆
5	6 ¹ / ₈	8 ³ / ₁₆	3 ¹³ / ₁₆	8 ³ / ₁₆
6	6 ¹ / ₈	9 ⁵ / ₁₆	3 ¹³ / ₁₆	9 ⁵ / ₁₆

UNL

Dim.	105	125	215	205
a	2 ¹¹ / ₁₆	2 ¹¹ / ₁₆	2 ⁷ / ₈	2 ⁷ / ₈
b	1 ¹⁷ / ₃₂	1 ¹³ / ₁₆	1 ¹³ / ₁₆	1 ¹³ / ₁₆
c	2 ¹ / ₁₆	2 ¹ / ₁₆	2 ¹ / ₄	2 ¹ / ₄
d	1 ⁷ / ₁₆	1 ⁷ / ₁₆	1 ⁵ / ₈	1 ⁵ / ₈