

DESCRIPTION

The CE Series offers quality and value with a compact and attractive LED based emergency exit. The white or black housing is made of high impact UL flame rated thermoplastic. Snap together canopy, housing and removable chevrons for quick and easy installation. Universal single or double-face. Remote capacity option will run 4 CIR/COR Series single remote lamp-heads or 2 double CIR/COR remotes.

APPLICATION

The CE Series can be applied in stair-wells, hallways, offices and other commercial applications.

COMPLIANCES

UL924 Listed for Damp Location
NFPA 101 and NFPA 70
OSHA

WARRANTY

2 year full unit warranty



FEATURES

- LED life-cycle of more than 10 years
- Molded-in template for Quick installation
- Dual-voltage 120 or 277V AC input
- Includes long-life Nickel Cadmium battery for UL recognized 90 minute emergency lighting
- Remote capacity or extended runtime option
- Damp Location Listed 20°C to 30°C (68°F to 86°F)
- Provided with test switch and AC-On indicator
- Canopy included

ENERGY CONSUMPTION

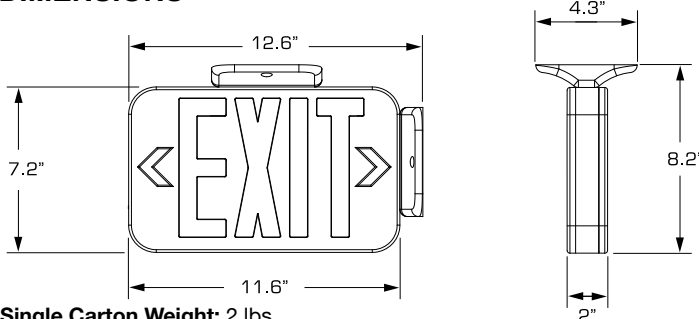
	120 VAC	277 VAC
CER	1.78 W	1.88 W
CEG	1.49 W	1.57 W
CERRC	3.60 W	4.14 W
CEGRC	3.28 W	3.81 W

ORDERING GUIDE

Catalog Number	Description
CER	White Thermoplastic Exit, Universal Face, Red LED Emergency Exit
CERB	Black Thermoplastic Exit, Universal Face, Red LED Emergency Exit
CEG	White Thermoplastic Exit, Universal Face, Green LED Emergency Exit
CEGB	Black Thermoplastic Exit, Universal Face, Green LED Emergency Exit
CERRC	White Thermoplastic Exit, Universal Face, Red LED Emergency Exit, Remote Capacity
CERRCB	Black Thermoplastic Exit, Universal Face, Red LED Emergency Exit, Remote Capacity
CEGRC	White Thermoplastic Exit, Universal Face, Green LED Emergency Exit, Remote Capacity

Note: Remote Capacity Exit will only power the Compass Indoor and Outdoor Remote (CIR and COR Series)

DIMENSIONS



Single Carton Weight: 2 lbs.
Master Carton Quantity: 6 each

ACCESSORIES

WGLX Wireguard - 10" H X 14" W X 2¼" D
CIR Series - Matching LED Indoor Remote Heads
COR Series - Matching LED Outdoor Remote Heads

