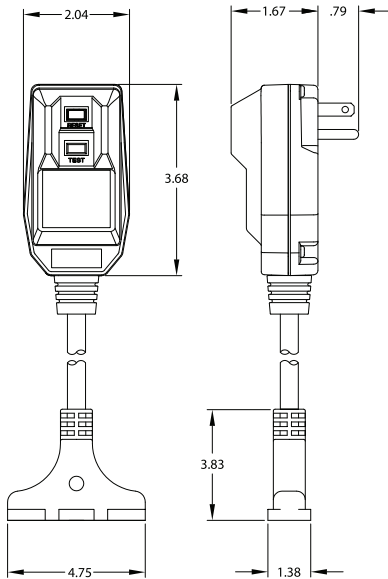




14880 004-6



GFCI Plug Protected Tri-Cords

Heavy duty molded T-head with three receptacles. The GFCI is an integral part of male plug. Provides protection for the extra heavy duty cord and three attached tools. 12 gauge cord is ideal for outdoor - rugged construction type environments. Applications include:

- ▶ Construction Sites
- ▶ Portable Electric Power Tools
- ▶ Saws and Drills
- ▶ Multiple Tools Use

Standard length: 2', 6', 25', 50', 99'. To prevent unmonitored equipment startup, manual reset is required after GFCI trip and power outage. Provides compliance with National Electric Code (NEC 2008) Article 590.6 for "Temporary Installations."

FEATURES

- ▶ **14880 023-6** (2') ⓘ
 - ▶ **14880 223-6** (2') CCI 02832
 - ▶ ***14880 224-4** (2') CCI 03392
 - ▶ ***14880 226-6** (2')
 - ▶ **14880 004-6** (6')
 - ▶ **14880 118-2** (25')
 - ▶ **14880 119-1** (50')
 - ▶ **14880 120-1** (99')
 - ▶ Volts/Amps: 120V/15A
 - ▶ Cord Gauge: 12/3 AWG
 - ▶ NEMA 5-15P & (3)5-15R
 - ▶ Trip Level: 4 - 6 mA
 - ▶ *Lighted receptacle
- ▶ **14880 228-6** (25') CCI 02837
 - ▶ **14880 229-6** (50') CCI 02838
 - ▶ **14880 230-4** (100') CCI 02839
 - ▶ Cord Gauge: 12/3 AWG, SJEOW



TECHNICAL DATA

Grounded Neutral	4 Ohms typical
Trip response time for ground fault and grounded neutral trip	less than 25mS
Voltage surge withstand	3kv ringwave test and 4kv/2kA surge immunity test
Radio frequency noise susceptibility	operates within normal limits with 0.5 volts injected on power line 150kHz-230mHz
Frequency	50 / 60 Hz
Endurance	3,000 operations minimum
Overload Current	six times rated current
Operating temperature range	-35°C to 66°C
Effect of 10 Amp turn DC Shock on ground fault trip	5% maximum trip level variation
Insulation voltage	1500 VRMS - 1 Min.
Power On indication	mechanical indicator