

CM

HURRICANE MINI

HAND CHAIN HOIST

360°





HURRICANE™ MINI

HAND CHAIN HOIST



MINI BUT MIGHTY

The CM Hurricane Mini 360° is the smallest hand chain hoist on the market with full 360-degree rotation, providing flexibility and versatility for narrow or challenging applications.

Small and lightweight, the CM Hurricane Mini 360° is ideal for multi-angle applications, allowing the operator to lift from virtually any position. The CM Hurricane Mini 360° is essential for service technicians, construction workers, or any low-capacity on-the-job lift.

CAPACITIES
 1/4 & 1/2 TON

+

LIFT
 10, 15, & 20 FEET

FEATURES & BENEFITS

LIGHT TO CARRY & EASY TO STORE

Compacted, lightweight design makes the hoist easy to install for on-the-go lifting applications. An essential part of your everyday toolset.

PATENTED 360° ROTATING HAND CHAIN COVER

Unique rotating hand chain cover allows the chain to rotate a full 360 degrees for safe and efficient operation from any direction. The cover design promotes smooth movement of the chain and a wide range of applications.

BUILT FOR DURABILITY & RELIABILITY

Made of Aluminum alloy, durable design ensures safety and reliability. The double pawl brake system provides advanced safety while special heat-treated flex hook prevents breakage.

EVERYDAY APPLICATIONS

The most versatile mini hoist on the market, the CM Hurricane Mini 360° is a standard part of your toolbox for everyday applications.

Ready for nearly any low capacity lift, the CM Hurricane Mini 360° is ideal for use at home and in factories, for field construction, agriculture, warehouse, and small equipment installation. Anti-corrosive properties ensure durability in chemical and marine environments.

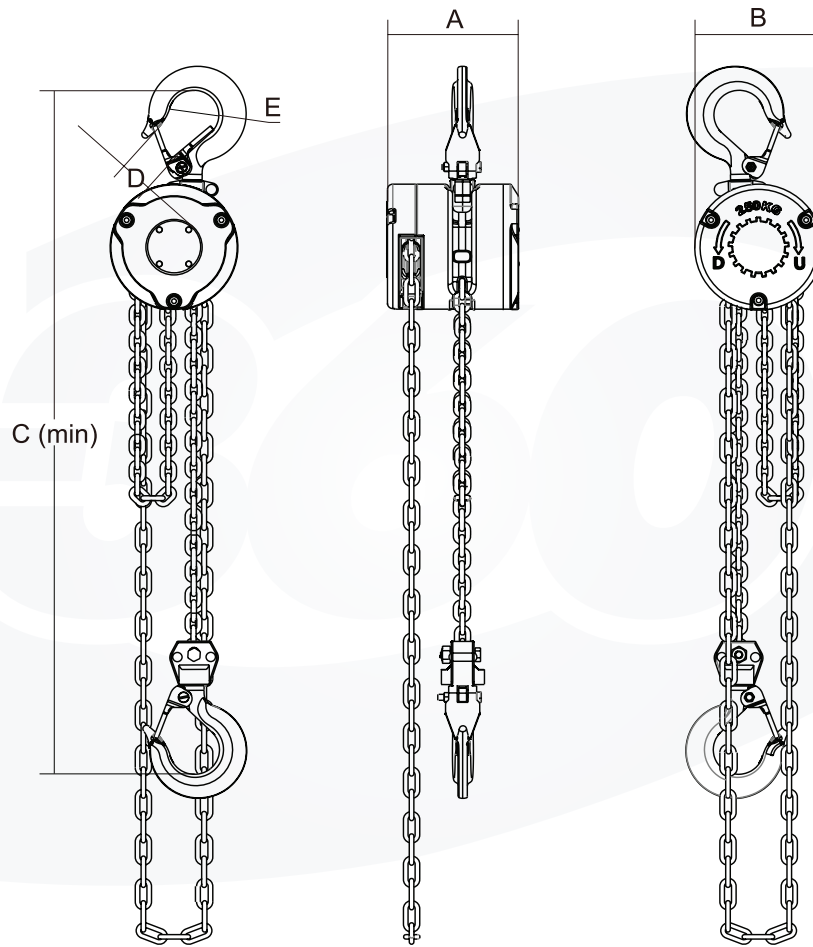


MINI BUT MIGHTY



MODEL	MHU-0.25	MHU-0.50
Capacity (t)	0.25	0.50
Standard Lift (ft. / m)	10 / 3.05, 15 / 4.57, & 20 / 6.10	10 / 3.05, 15 / 4.57, & 20 / 6.10
10 ft. / 3.05 m Lift Part Number	MHU02510	MHU05010
15 ft. / 4.6 m Lift Part Number	MHU02515	MHU05015
20 ft. / 6.10 m Lift Part Number	MHU02520	MHU05020
Running Test Load (lbf / kN)	843 / 3.75	1686 / 7.5
Effort Required to Lift Rated Load (lbf / kN)	36 / 160	45 / 200
Chain Overhaul to Lift 1 ft. / 39.93 m (ft. / m)	25 / 7.62	38 / 11.58
Diameter of Load Chain (in. / mm)	0.118 / 3	0.16 / 4
Strands of Load Chain	1	1
Net Weight* (lbs / kg)	5.70 / 2.59	8.73 / 3.96
Extra Weight per ft. / m of Extra Lift (lbs / kg)	1.37 / .62	1.65 / .75

*Net weight based on the 10 ft. lift model.



MODEL		MHU-0.25	MHU-0.50
Dimensions (in. / mm)	A	3.36 / 85	3.94 / 100
	B	3.125 / 79	4 / 102
	C	9.69 / 246	10.38 / 264
	D	0.83 / 21	0.91 / 23
	E	1.26 / 32	1.38 / 35



WWW.COLUMBUSMCKINNON.COM



USA

p: 800.888.0985

p: 716.689.5400

f: 716.689.5644

CAN

p: 877.264.6478

f: 877.264.6477

CUSTOMER.CARE@CMWORKS.COM