

# Bandit Ratchet Lever Hoist

The CM® Bandit™ is one of the most compact and durable ratchet lever hoists in the industry. Its lightweight and portable design, easy free-chaining feature and 360° rotating handle make it one of the most versatile hoists on the market today. Now available in 3/4, 1-1/2, 3 and 6 ton capacities for all of your pulling and lifting needs.

## CAPACITIES & LIFT

Capacities of 3/4, 1-1/2, 3 & 6 tons. Metric Rated. Standard lifts up to 20 feet. Longer lifts are available.

## COMPACT & PORTABLE DESIGN

Rugged, yet lightweight, design and construction allow the Bandit to be easily transported and used in even the most confining spaces.

## OUR FIRST HOIST WITH CM® SMART ID™ RFID TECHNOLOGY!

- Standard on all U.S. Bandit units.
- Chip associated with detailed product information at the factory.

## FREE-CHAINING

Easy free-chaining feature allows for quick take up and positioning of slack chain. Designed not to accidentally free chain while under load.

## 360° ROTATING HANDLE

Full rotation of handle allows for versatile rigging options when working in tight spaces.

## LOW HANDLE EFFORT

Double reduction gearing provides easy operation with minimal handle effort.

## COMFORT-FIT

HandleScrewed-on comfortable rubber grip makes for a secure hold in all environments.

## LOAD SECURITY & EASY INSPECTION

Upper and lower hooks feature standard cast safety latches that provide positive and secure load engagement. Hooks are bolted on for easy removal and inspection.

MEETS ASME B30.21

## POSITIVE LOAD CONTROL

Enclosed Weston-type load brake stays clean and dry for positive load positioning.

## EASY TO POSITION & ATTACH

Upper and lower hooks feature extra-wide throat openings to allow for easier attachment to pick points. Hooks swivel 360° for faster positioning.

## BUILT TO LAST

Impact-resistant stamped steel housing withstands repeated rigorous use.

## CORROSION RESISTANT

Standard powder coat finish on housing and zinc plating on major components for extra protection against corrosion when working in harsh environments.

## 100% LOAD TESTED GOLD CHROMATE CHAIN

Proven chain integrity and corrosion resistance.

## EASY IDENTIFICATION

Each unit has a unique serial number for easy and accurate identification.

## OPTIONAL SHIPYARD HOOKS

Shipyards hooks are available as an option on 1-1/2 & 3 ton units.

## OPTIONAL INTERNAL LOAD LIMITER

Allows the handle to rotate but will not lift if load exceeds 125% of the working load limit.

**\*\* BANDIT HOISTS SHIP IN 3 DAYS OR LESS – GUARANTEED**  
3/4 & 1-1/2 ton units are eligible for our In-Stock Guarantee.

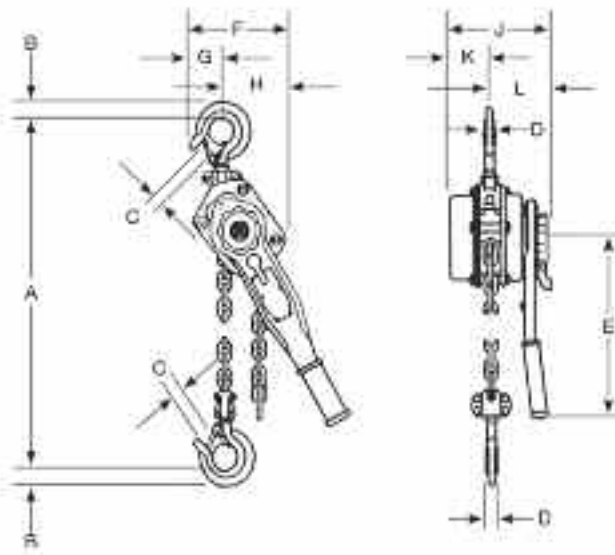


**THE WORLD'S FIRST  
HMI-CERTIFIED  
RATCHET LEVER HOIST**

## Bandit Ratchet Lever Hoist product at a glance

Capacities (Ton)	In-Stock Guarantee	CM Smart ID RFID	Initial Assembly	Final Assembly	Hook Origin	Tri-Point Hook Inspection	Optional Shipyard Hooks	Chain Origin	Type of Chain	Load Tested
3/4	✓	✓	CMCO China Facility	CMCO USA Facility	CMCO USA Facility			CMCO USA Facility	Gold Chromate	China & USA
1-1/2	✓	✓			CMCO USA Facility		✓			
3		✓			CMCO China Facility	✓	✓			
6		✓			CMCO China Facility	✓				

Check for availability on 3 and 6 ton units.



### BANDIT TRI-POINT HOOK INSPECTION

Load hooks feature 3 raised points that allow you to measure the hook to detect any indication of overload or deformation.

Available on 3 & 6 ton capacity models.



## Bandit Ratchet Lever Hoist specifications

Model Number *	Capacity Metric Rated Ton (kg)	Standard Lift FT (m)	Lever Pull to Lift Rated Load LBF (kg)	Net Weight LB (kg)	Dimensions Inches (mm)										
					A	B	C	D	E	F	G	H	J	K	L
BAN07505	3/4 (750)	5 (1.52)	45 (20.41)	13.6 (6.17)	12.80 (325.12)	0.94 (23.88)	1.13 (28.70)	0.69 (17.53)	9.63 (244.60)	4.88 (123.95)	2.19 (55.63)	3.31 (84.07)	6.06 (153.92)	2.11 (53.59)	3.95 (100.33)
BAN07510		10 (3.05)		15.7 (7.12)											
BAN07515		15 (4.57)		18 (8.16)											
BAN07520		20 (6.1)		20.1 (9.12)											
BAN15005	1-1/2 (1500)	5 (1.52)	64 (29.03)	20.7 (9.39)	14.20 (360.68)	1.13 (28.70)	1.25 (31.75)	0.81 (20.57)	10.25 (260.35)	5.63 (143.00)	2.38 (60.45)	3.56 (90.42)	6.75 (171.45)	2.69 (68.33)	4.13 (104.90)
BAN15010		10 (3.05)		24.3 (11.02)											
BAN15015		15 (4.57)		27.9 (12.65)											
BAN15020		20 (6.1)		31.5 (14.29)											
BAN30005	3 (3000)	5 (1.52)	73 (33.11)	38.3 (17.37)	17.50 (444.5)	1.69 (42.93)	1.56 (39.62)	1.25 (31.75)	16.37 (415.8)	7.52 (191.01)	3.38 (85.85)	4.65 (118.11)	7.84 (199.14)	3.29 (83.57)	4.56 (115.82)
BAN30010		10 (3.05)		45.7 (20.73)											
BAN30015		15 (4.57)		53 (24.04)											
BAN30020		20 (6.1)		60.4 (27.4)											
BAN60005	6 (6000)	5 (1.52)	93 (42.18)	63.2 (28.67)	22.00 (558.8)	1.81 (45.97)	2.19 (55.63)	1.50 (38.1)	16.37 (415.8)	9.47 (240.54)	3.38 (85.85)	6.05 (153.67)	7.84 (199.14)	3.29 (83.57)	4.56 (115.82)
BAN60010		10 (3.05)		77.9 (35.33)											
BAN60015		15 (4.57)		92.6 (42.00)											
BAN60020		20 (6.1)		107.3 (48.7)											

Check for availability on 3 and 6 ton units.