
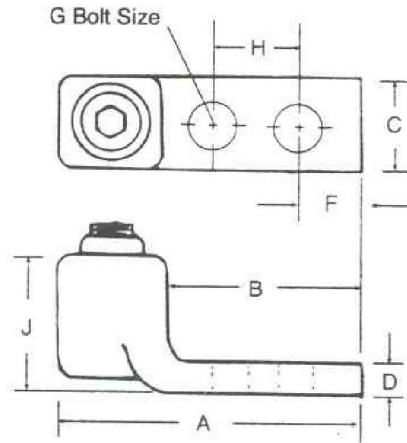


SCREW: NONE	MATERIAL: NONE	REV: E	 800-776-9775 www.ilsco.com		
CAT. NO.: SEE CHART	PLATING: NONE	DRAWN BY: JG			SCALE:
INFORMATION SHEET: FORM 149	MARKING: NONE	DATE: 11/7/2007			SIZE: A
			DWG. NO. <b>R1758</b>		
			SHEET: 1 OF 1		



PART #	CAT NO	WIRE RANGE	G	A	B	C	D	J	F	H
R1758-00	CL-1-2/0N	1 - 2/0	1/2	3 15/16	3	1	1/4	11/16	9/16	1 3/4
R1758-01	CL-1-4/0N	2/0 - 4/0	1/2	4 1/8	3	1	9/32	1 9/32	9/16	1 3/4
R1758-02	CL-1-300N	4/0 - 300MCM	1/2	4 3/16	3	1 3/16	5/16	1 15/32	9/16	1 3/4
R1758-03	CL-1-500N	300MCM - 500MCM	1/2	4 7/8	3 1/2	1 3/8	11/32	1 13/16	9/16	1 3/4
R1758-04	CL-1-750N	500MCM - 750MCM	1/2	5 3/32	3 1/2	1 3/4	13/32	2 1/8	9/16	1 3/4
R1758-05	CL-1-1000N	750MCM - 1000MCM	1/2	5 1/4	3 1/2	3	15/32	2 1/8	9/16	1 3/4