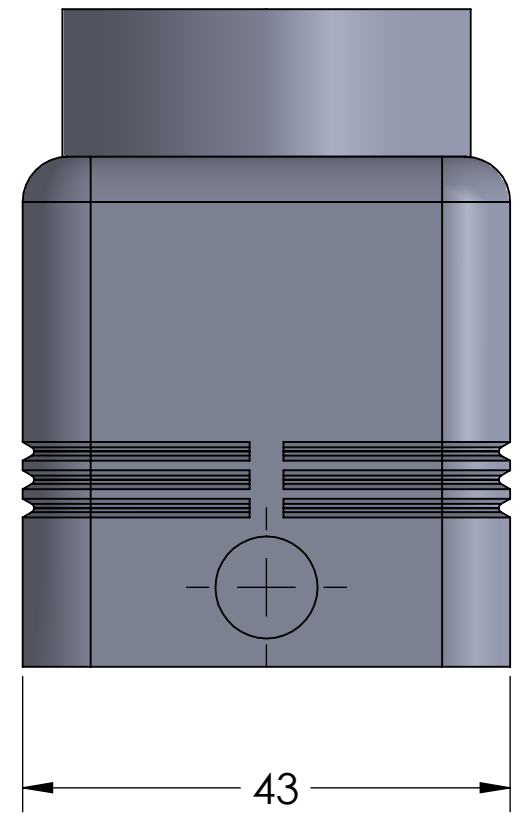
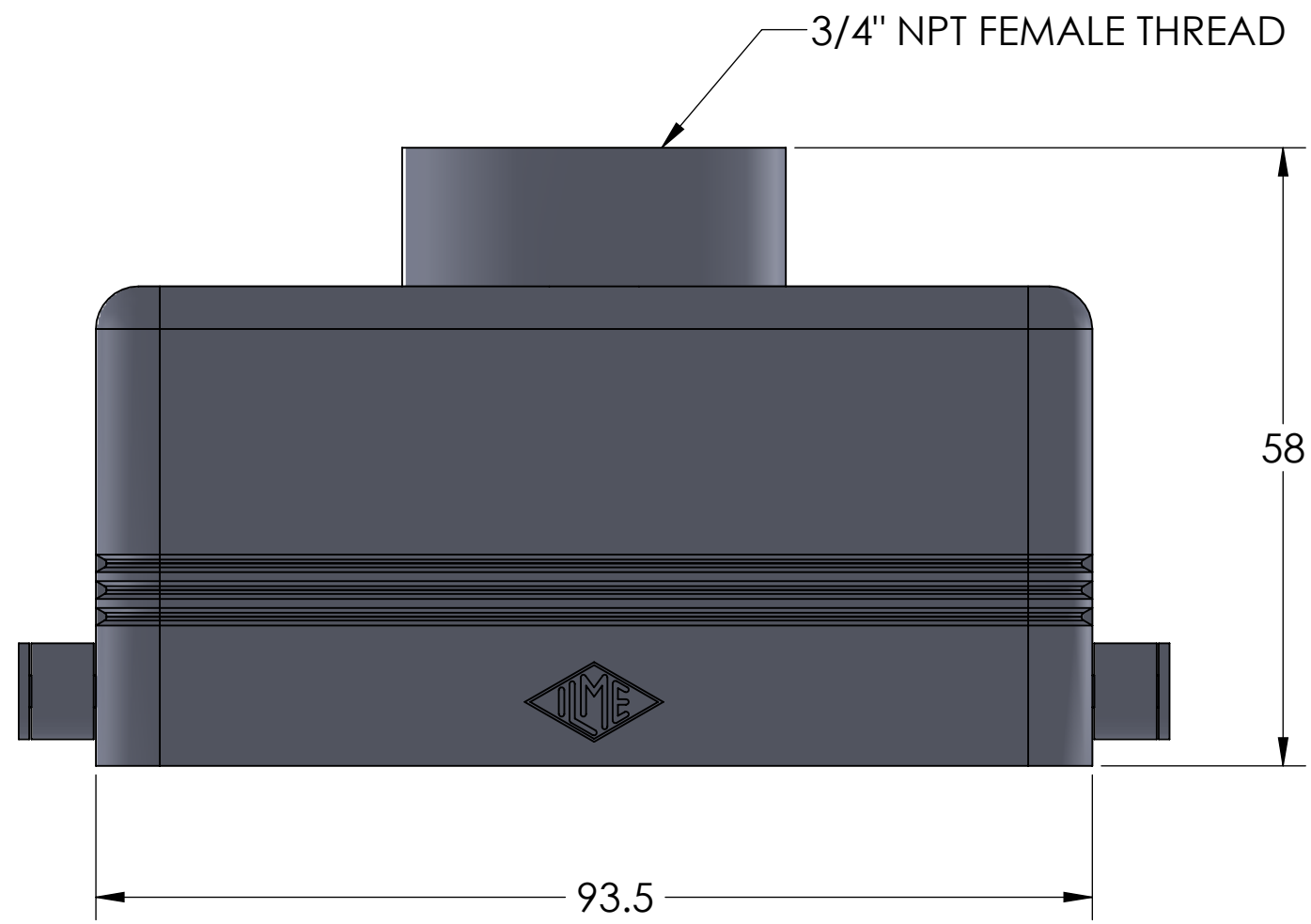


8 7 6 5 4 3 2 1

D
C
B
A

D
C
B
A



**BRIEF DESCRIPTION:
HOODS FOR SINGLE LEVER, TOP ENTRY,
3/4" NPT, METAL VERSION, IP66**

HOUSING MATERIALS	
BODY:	EPOXY COATED DIE CAST ALUMINUM

MENCOM CORPORATION

TITLE:
16 PL TE HOOD 3/4" NPT

SIZE B	DWG. NO. CHVT-16.5L	REV A
------------------	------------------------	-----------------

SCALE: 3:2 WEIGHT: SHEET 1 OF 1

UNLESS OTHERWISE SPECIFIED:	DRAWN BY	DCG
DIMENSIONS ARE IN MM	DRAWN DATE	09/06/2018
TOLERANCES:	CHECKED BY	JJH
FRACTIONAL ±1/64	CHECK DATE	09/06/2018
ANGULAR: MACH ±3° BEND ±5°		
ONE PLACE DECIMAL ±.2		
TWO PLACE DECIMAL ±.1		
	COMMENTS:	
MATERIAL		
FINISH		
DO NOT SCALE DRAWING		

PROPRIETARY AND CONFIDENTIAL
THE INFORMATION CONTAINED IN THIS DRAWING IS THE SOLE PROPERTY OF MENCOM CORPORATION. ANY REPRODUCTION IN PART OR AS A WHOLE WITHOUT THE WRITTEN PERMISSION OF MENCOM CORPORATION IS PROHIBITED.

8 7 6 5 4 3 2 1