

**9' Chain Mounting Set w/ Hammer-on Flange Clip for ILH Units**

**Project Information**

Job Name

Catalog Number CH36HFC

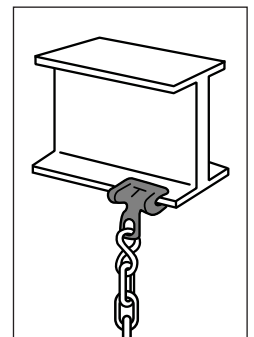
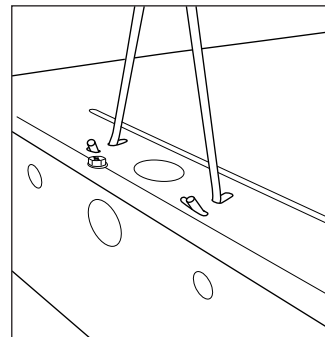
Approved by

**CONSTRUCTION:**

- "Y" hanger
- Pre-drilled holes in fixture housing
- Hammer-on flange clip

**SPECIFICATIONS:**

- Length: 9' (2.7432 m)



**ORDERING INFORMATION**

Catalog #	Description	Std. Pkg.
CH36HFC	Chain & Hanger Set w/ Hammer-on Flange Clip	1
CH36HFC-O	Chain Set w/ Hammer-on Flange Clip	1