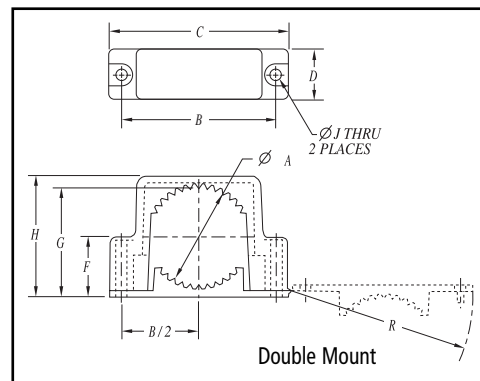
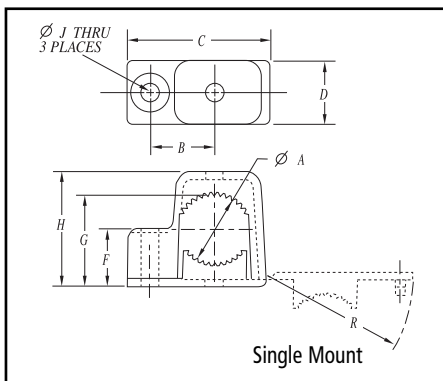
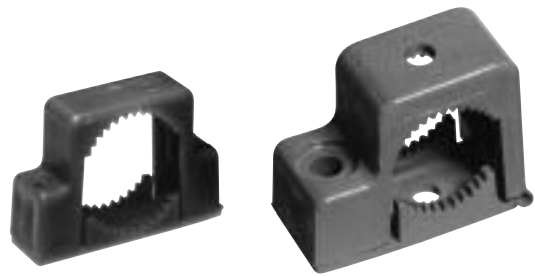


Snap Strap® Conduit Support Straps

Carlson's Snap Strap® offers a unique support strap designed especially for the installation of PVC conduit. Also usable for installations of rigid steel. This high strength, nonmetallic clamp allows conduit to expand and contract freely, eliminating the bowing commonly seen from the expansion and contraction of conduit caused by varying temperature changes. Finished installations have a neat, attractive appearance on exposed applications.

To be used in accordance with conduit spacing requirements per the NEC, Section 352.30. This part is not supplied with screws.

- UV inhibited for use in direct sunlight



Single Mount

Part No.	Size: inches (mm)	Std. Ctn. Qty.	Std. Ctn. Wt. (lbs.)	A	B	C	D	F	G	H	J	R
E978DC-CAR	1/2" (16)	40	1	0.80 (20.3)	.75 (1.90)	1.63 (41.4)	0.75 (19.1)	.59 (14.9)	.99 (25.1)	1.36 (34.5)	.21 (5.33)	1.67 (42.4)
E978EC-CAR	3/4" (21)	40	3	1.00 (25.4)	.88 (22.4)	1.92 (48.7)	0.75 (19.1)	.70 (17.8)	1.20 (30.4)	1.57 (39.9)	.21 (5.33)	1.96 (49.8)
E978FC-CAR	1" (27)	30	4	1.20 (30.5)	1.02 (25.9)	2.17 (55.1)	0.75 (19.1)	.83 (21.1)	1.43 (36.3)	1.84 (46.7)	.21 (5.33)	2.22 (56.3)

Double Mount

Part No.	Size: inches (mm)	Std. Ctn. Qty.	Std. Ctn. Wt. (lbs.)	A	B	C	D	F	G	H	J	R
E978GC-CAR	1 1/4" (35)	15	4	1.66 (42.16)	2.75 (69.9)	3.23 (82.0)	1.00 (25.4)	.95 (24.1)	1.78 (45.2)	2.15 (54.61)	.218 (5.54)	3.28 (83.3)
E978HC-CAR	1 1/2" (41)	15	5	1.92 (48.77)	3.05 (77.5)	3.53 (89.7)	1.00 (25.4)	1.08 (27.4)	2.04 (51.8)	2.40 (60.96)	.218 (5.54)	3.58 (90.9)
E978JC-CAR	2" (53)	10	5	2.34 (59.44)	3.50 (88.9)	4.00 (101.6)	1.00 (25.4)	1.31 (33.3)	2.48 (63.0)	2.86 (72.64)	.218 (5.54)	4.06 (103.1)