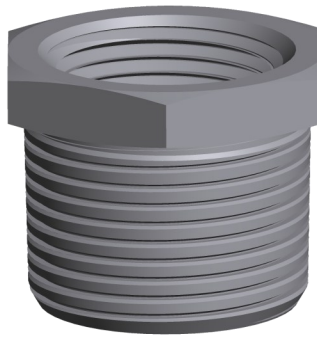
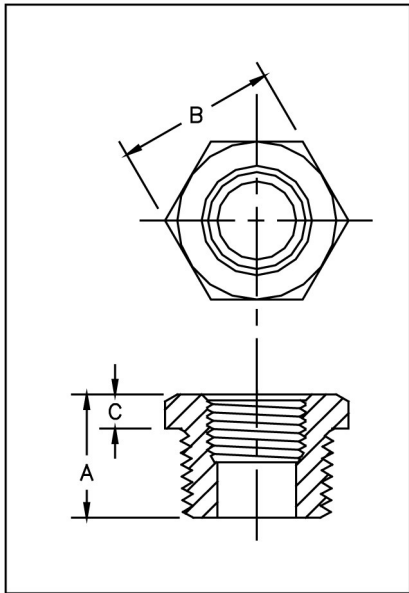


Pipe Fittings

Hex Bushings, Standard Pressure



Pipe Size	1/4	3/8	1/2	3/4	1
A	0.640	0.700	0.880	0.970	1.190
B	0.620	0.690	0.880	1.060	1.380
C	0.140	0.190	0.190	0.220	0.310
Wt. Ea.	0.02	0.05	0.11	0.21	0.36

Material: AISI C1010

Conforms to: ASME B16.14, ASME B1.20.1.

Sizes Available:

1/4 X 1/8	3/4 X 1/8	1 X 1/8
3/8 X 1/8	3/4 X 3/4	1 X 1/4
3/8 X 1/4	3/4 X 3/8	1 X 3/8
1/2 X 1/8	3/4 X 1/2	1 X 1/2
1/2 X 1/4		1 X 3/4
1/2 X 3/8		