

INDUSTRY ORGANIZATIONS

CANTEX actively supports those organizations which set standards and promote professional practices in the electrical industry. These include NEMRA, NAED, IAEI, IEEE, along with other associations in the construction industry.

QUALITY ASSURANCE

CANTEX has a comprehensive quality control program to ensure compliance with industry standards established by Underwriters Laboratories, National Electrical Code, the American Society for Testing and Materials and Canadian Standards Association.

From virgin raw materials blended into compounds through extrusion or injection molding to final inspection and testing of the finished product, the manufacturing process is monitored to make sure quality standards are met or exceeded.

Each plant is graded and held accountable for the quality control performance of its total output.

To further strengthen the company's goal for quality products, a centralized quality control review procedure assures that every plant is producing at a consistent level of quality for all similar products. You know you're getting the very best every time you buy from CANTEX.

PVC ELECTRICAL STANDARDS BY PRODUCT

Schedule 40 Conduit

UL 651, NEMA TC-2 and NEC-Article 352
CSA C22.2 No. 211.2

Schedule 80 Conduit

UL 651, NEMA TC-2 and NEC-Article 352

PVC Electrical Fittings

Fittings for electrical applications conform to one or more of the following specifications:
NEMA TC-3 and UL 514B, UL651,
NEMA TC-6&8, ASTM F-512, UL 50,
CSA 22.2 No. 211.2 85-M89

Utility Duct - Extra Strength

NEMA TC 6&8 and ASTM F-512

Utility Duct Fittings

NEMA TC-9

EZ-FLEX ENT (Electrical Nonmetallic Tubing) & Fittings

NEMA TC-13 and NEC Article 362 UL 1653

ENVIRO-FLEX Liquidtight Conduit

UL1660, NEC 356
CSA 22.2 No. 227.2.1

ENVIRO-FLEX Liquidtight Fittings

UL 514B and NEMA FB-1

Uniform Product Code

UPC-A

Item bar code identifies a single product unit.



UPC-ITF

Shipping container bar code identifies each standard carton of products.



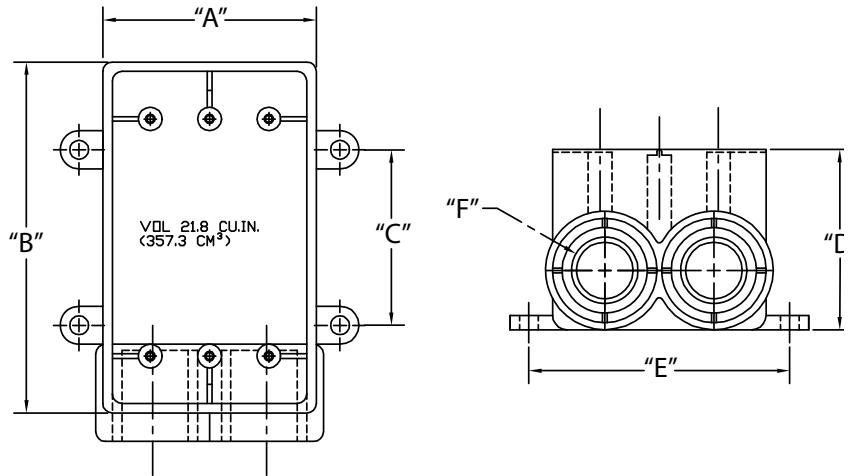
Nonmetallic PVC Exposed Electrical Boxes

Type FSS Single Gang Box



Part Number	Trade Size	Carton Quantity	"A"	"B"	"C"	"D"	"E"	"F"
5133540	1/2	10	2.813	4.625	2.625	2.375	3.500	.875
5133542	3/4	10	2.813	4.625	2.625	2.375	3.500	1.063
5133543	1	10	2.813	4.625	2.625	2.375	3.500	1.313

Dimensions are nominal



Type FSS Two Gang Box



Part Number	Trade Size	Carton Quantity	"A"	"B"	"C"	"D"	"E"	"F"
5133390	1/2	5	4.563	4.563	3.250	2.375	5.250	.875
5133391	3/4	5	4.563	4.563	3.250	2.375	5.250	1.063
5133392	1	5	4.563	4.563	3.250	2.375	5.250	1.313

Dimensions are nominal

