



## 9' Cable Mounting Set for ILH Units

### CONSTRUCTION:

- "Y" hanger
- Pre-drilled holes in fixture housing
- Latch
- Clip

### SPECIFICATIONS:

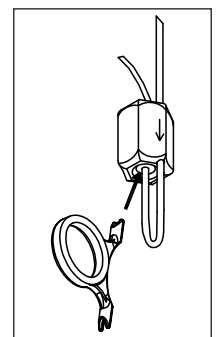
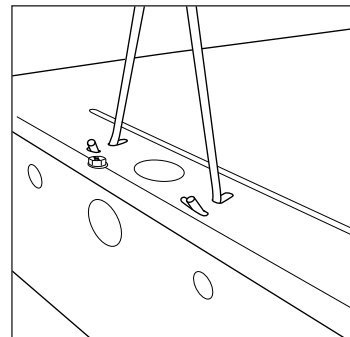
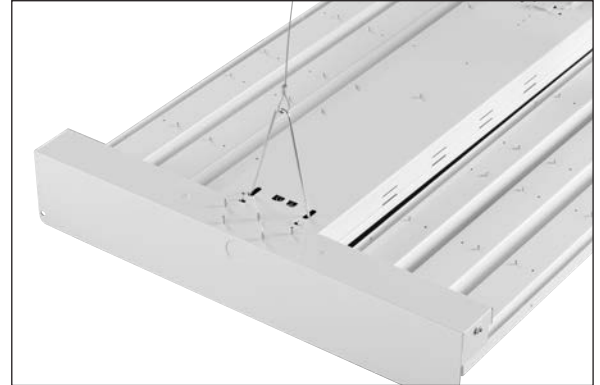
- Length: 9' (2.7432 m)

### Project Information

Job Name

Catalog Number

Approved by



### ORDERING INFORMATION

Catalog #	Description	Std. Pkg.
CA36	Cable Set	1
CA36-O	Cable Set Only	1

## ATLAS LIGHTING PRODUCTS, INC.

PO BOX 2348 | BURLINGTON, NC 27216

800-849-8485 | FAX: 336-227-0110 | [www.atlaslightingproducts.com](http://www.atlaslightingproducts.com)