

Save up to 65% panel space with Busmann series power distribution fuse blocks



**Contents**

Fuse size/ class	Description	Section page
<b>Quick guide</b>		
		<b>2-3</b>
<b>Control panel applications</b>		
<b>1/4" dia.</b>		
	Panel mount blocks 8000, 3828, 4520, 4393	4-5
<b>Class CC and midget</b>		
	Modular blocks BCM, BMM	6-7
	DIN-Rail holders CHCC, CHM, NDNF1, OPM	8-13
	Panel mount blocks 3743, 4421, 4515	14
<b>Class G</b>		
	Panel mount blocks BG, G	15
<b>14mm dia.</b>		
	DIN-Rail holder CH14	16
<b>22mm dia.</b>		
	DIN-Rail holder CH22	17
	Modular block JM70100	
	Modular power distribution blocks JM70100_ MW_	18
<b>Class H(K)/R</b>		
	Modular blocks HM, RM	19-23
	Modular power distribution blocks HM__MW_, RM__MW_	24-27
<b>Class J</b>		
	DIN-Rail holders CH30J, CH60J	28
	Safety J™ JT(N)600	29
	Panel mount pyramid block JP	30
	Modular blocks JM60_	31-32
	Modular power distribution blocks JM60__MW_	33-34
<b>Class T</b>		
	300 V panel mount blocks T300	35-36
	600 V panel mount blocks T600	37-38
<b>High speed fuses</b>		
	Open center panel mount blocks BH, C5268, 1BS	39
<b>NH fuses</b>		
	DIN-Rail/panel mount blocks SD00, SD1, SD2, SD3, SD4, TD00, TD1, TD2, TD3	40
<b>Through-panel applications</b>		
<b>5mm dia.</b>	HTB	41
<b>1/4" dia.</b>	HJL, HK, HKP, HLD	42-43
<b>13/32" dia.</b>	HPC, HPC-D, HPD, HPF, HPG, HPM, HPS, HPS2	43-45
<b>In-line applications</b>		
<b>5mm dia.</b>	HHT	46
<b>1/4" dia.</b>	HFA, HFB, HEB-10, HHB, HR/HM, HRK	46-48
<b>Class G</b>	Single-pole HEC, HEG, HEH, HEJ non-breakaway	49
<b>13/32" dia.</b>	HEB single-pole breakaway and non-breakaway	51-52
<b>Class CC</b>	HEZ waterproof single-pole breakaway and non-breakaway	52
<b>13/32" dia.</b>	HEX, Class CC HEY dual-pole breakaway and non-breakaway	53-54

## Quick guide

These tables list various fuse classes, sizes and voltages along with their available blocks and holders. Catalog pages are denoted parenthetically "( )" next to their catalog symbol. E.g.: BCM603 (8-6) is in Section 8, page 6.

Fuse class/ size	Catalog symbol*	Amp range	Fuse blocks**	DIN—Rail holders**	In-line holders**	Panel mount holders**	Open center blocks**	
Class CC	FNQ-R KTK-R LP-CC	Up to 30	BCM603 (8-6)	CHCC (8-8) OPM-NG (8-13) OPM-1038 (8-12)	HEY (8-53) HEZ (8-52)	HPF-RR (8-43) HPS-RR (8-45)	—	
Class G	SC	1/2-15	BG301 (8-15)	—	HEG (8-49)	HPG-EE (8-44) HPS-EE (8-45)	—	
		20	BG302 (8-15)		HEH (8-49)	HPS-JJ (8-45)		
		25-30	BG303 (8-15)		HEC (8-49)	HPS-FF (8-45)		
		35-60	G30060 (8-15)		HEJ (8-49)	—		
Class J	DFJ JKS LPJ	Up to 60	JM60030 (8-31) JM60030_MW_*** (8-33) JP60030-3 (8-30)	CH_J (8-28) JT(N)600_ (8-29)	—	—	—	
		70-400	JM60100 (8-31) JM60100_MW_*** (8-33)	—			1BS101 (8-39) BH-0111 (8-39)	
		110-200	JM60200 (8-31) JM60200_MW_*** (8-33)				—	
		250-400	JM60400 (8-31) JM60400_MW_*** (8-33)				—	BH-3145 (8-39)
		450-600	JM60600 (8-31)				—	BH-3144 (8-39)
250 V Class H/K5	NON	Up to 60	HM250__ (8-19) HM250__-MW_*** (8-24)		CH14 (8-16)	—	—	—
70-600	HM25__ (8-19)	—	—	—	—			
600 V Class H/K5	NOS	Up to 60	HM600__ (8-19) HM600__0-MW_*** (8-24)	—	—	—	—	
70-600	HM60__ (8-19)	—	—	—	—			
Class L	KLU KRP-C KRP-CL KTU	601-1200	51215 (1-pole) <sup>†</sup> 51235 (3-pole) <sup>†</sup>	—	—	—	—	
250 V Class RK1/RK5	FRN-R KTN-R KWN-R LPN-RK	Up to 60	RM250__ (8-21) RM250__0-MW_*** (8-26)	—	—	—	—	
		70-600	RM25__ (8-21)	—	—	—	—	
600 V Class RK1/RK5	FRS-R KTS-R KWS-R LPS-RK	Up to 60	RM600__ (8-21) RM600__-MW_*** (8-26)	—	—	—	—	
		70-600	RM60__0 (8-21)	—	—	—	—	
300 V Class T	JJN	Up to 600	T30__ (8-35)	—	—	—	—	
		250-400	T30400 (8-35)			BH-1133 (8-39)	—	
		450-600	T30600 (8-35)			BH-3144 (8-39)	—	
600 V Class T	JJS	Up to 60	T600__ (8-37)	—	—	—	—	
		70-100	T60100 (8-37)			BH-0111 (8-39)	—	
		110-200	T60200 (8-37)			BH-1132 (8-39)	—	
		250-400	T60400 (8-37)			BH-1133 (8-39)	—	
		450-600	T60600 (8-37)			BH-3144 (8-39)	—	
Supplemental 13/32" x 1-1/2"	BAF FNM FNQ KLM KTK	Up to 30	BMM603 (8-6) 3743 (8-14) 4421 (8-14) 4515 (8-14)	CHM (8-8) NDNF1-VH (8-11) OPM-1038 (8-12) OPM-NG (8-13)	HEB (8-51) HEX (8-53)	HPC-D (8-43) HPD (8-44) HPF (8-43) HPG (8-44) HPM (8-44) HPM-D (8-44) HPS2 (8-45) HPS (8-45)	—	
Supplemental 13/32" x 1-3/8"	BBS	Up to 30	BMM603 (8-6) 3743 (8-14) 4421 (8-14) 4515 (8-14)	—	HEH (8-49)	HPS-L (8-45)	—	

Fuse class/ size	Catalog symbol*	Amp range	Fuse blocks**	DIN—Rail holders**	In-line holders**	Panel mount holders**	Open center blocks**
1/4 x 7/8	AGW	Up to 30	—	—	HHB (8-47) HM (8-48) HR (8-48) HRK (8-48)	HJL (8-42)	—
1/4 x 1	AGX	Up to 30	3828 (8-5) 4520 (8-5) 4393 (8-5)	—	HHB (8-47) HM (8-48) HR (8-48) HRK (8-48)	HJL (8-42)	—
1/4 x 1-1/4	ABC AGC GBB MDA MDL MDQ	Up to 30	S-8000 family (8-4)	—	HFA (8-46) HFB (8-47) HHB (8-47) HM (8-48) HR (8-48) HRK (8-48)	HKP (8-42) HTB (8-41) HK (8-42) HLD (8-43)	—
5x15mm	C515 C517 C518 C519 C520	Up to 7	—	—	HHT (8-46)	—	—
5x20mm	GDA GDB GDC GMA GMC GMD S500 S501 S505 S505H S506	Up to 15	—	—	HHT (8-46)	HTB (8-41)	—

\* Refer to data sheets for applicable fuse voltage and interrupting ratings and agency information.

\*\* Fuse blocks and fused switches are available in a variety of pole and terminal configurations, and voltage and withstand ratings (SCCRs). Refer to data sheets for complete catalog numbers.

\*\*\* This is a UL Listed power distribution fuse block, combining a fuse block and power distribution block into one unit.

† Not shown in this catalog. Contact customer service for details.

**S-8000 bolt-in and snap-in mount open blocks for 1/4" x 1-1/4" fuses**

**Ratings**

Volts 300 V

Amps 30 A max\*

\* See catalog number tables for agency limitations.



**Agency information**

- UL Recognized, Guide IZLT2, File E14853, CSA Certified Class 6225-01, File 47235, RoHS compliant, CE

**Single pole anti-rotation pin**

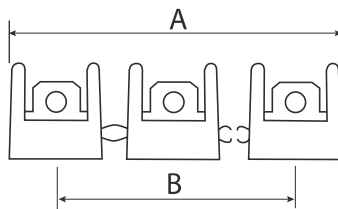
- Single-pole blocks may be ordered without the anti-rotational pin. Add an "X" to the number of poles, e.g., BK/S-8000-1X.

Catalog no.†	Poles	Terminal	Terminal angle	Max amps
<b>Bolt-in mount</b>				
S-8001-(poles)-R		Solder	0°	UL 30
S-8002-(poles)-R			40°	CSA 21
S-8101-(poles)-R	1-12	3/16" quick-connect	0°	UL 20
S-8102-(poles)-R			40°	CSA 13
S-8201-(poles)-R		1/4" quick-connect	0°	UL 30
S-8202-(poles)-R			40°	CSA 16
S-8203-1-R	1	Side 1/4" quick-connect		
S-8301-(poles)-R	1-12	Screw	—	UL 30 A CSA 25A
<b>Snap-in mount</b>				
S-8001-1-SNP-R		Solder	0°	UL 25
S-8002-1-SNP-R			40°	CSA 21
S-8101-1-SNP-R	1	3/16" quick-connect	0°	UL 20
S-8102-1-SNP-R			40°	CSA 13
S-8201-1-SNP-R		1/4" quick-connect	0°	UL 20
S-8203-1-SNP-R			Side	CSA 16

† Quantities for regular and bulk (BK/ prefix) catalog numbers varies with the number of poles. Contact customer satisfaction team for details.

**Mounting dimensions — in\***

No. of Poles	A	B
1	—	—
2	1-1/8	5/8
3	1-3/4	1-1/4
4	2-3/8	1-7/8
5	3	2-1/2
6	3-5/8	3-1/8
7	4-1/4	3-3/4
8	4-7/8	4-3/8
9	5-1/2	5
10	6-1/8	5-5/8
11	6-3/4	6-1/4
12	7-3/8	6-7/8



\* Block length varies by specific termination and mounting. See data sheet 2101 for details.

**Data sheet no. 2101**

**3828 open blocks with solder terminals for 1/4" x 1" fuses**

**3828**

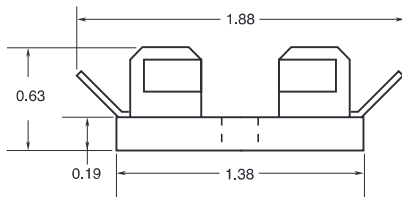
**Ratings**

- Volts 250 V
- Amps 30 A



Catalog no.	Poles	Base width — in (mm)
3828-1	1	1/2 (12.7)
3828-2	2	1-1/8 (28.6)
3828-3	3	1-3/4 (44.5)
3828-4	4	2-3/8 (60.3)
3828-5	5	3 (76.2)
3828-6	6	3 5/8 (92.1)
3828-7	7	4-1/4 (108.0)
3828-8	8	4-7/8 (123.8)
3828-10	10	6-1/8 (155.6)
3828-12	12	7-3/8 (187.3)

**Dimensions — in\*\***



\*\*Mounting screw hole diameter is 0.147.\* Max #6 mounting screw.

**4520 and 4393 open blocks with solder terminals for 1/4" x 1" fuses**

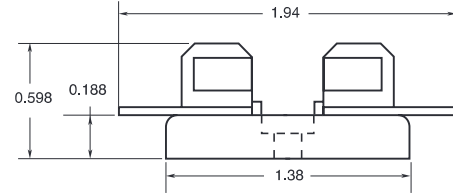
**Ratings**

- Volts 250 V
- Amps 30 A

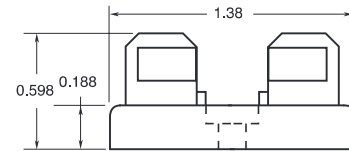


Catalog no.	Description
4520	Integral clip and straight solder terminals
4393	Spare fuse block - no terminals

**Dimensions — in\***



4520 integral clip and straight solder terminals



4393 spare fuse block, no terminals

\* Mounting screw hole diameter is 0.147". Counterbore 0.636" diameter. Max #6 mounting screw.

**BCM (Class CC) and BMM (supplemental 13/32 x 1-1/2" / 10x38mm) modular style fuse blocks with optional covers.**

The BCM and BMM modular fuse blocks contain features that add versatility, reduce labor and enhance safety of any panel design. Optional IP20 finger-safe covers enhance safety with a lockout/tagout feature along with optional open fuse indication to speed troubleshooting.



BMM603-3C with CVRI-CCM covers

**Ratings**

- Volts 600 Vac/dc
- Amps 30 A
- SCCR up to 200 kA\*
- \* Limited by fuse interrupting rating

**Agency information**

- Class CC BCM blocks
  - UL Listed E14853 - IZLT
  - CSA Certified 47235-6225-01
  - RoHS Compliant
- 13/32" x 1-1/2" BMM blocks
  - UL Recognized, E14853 - IZLT2
  - CSA Certified 47235-6225-01
- CE
- RoHS compliant



BCM603-3PQ with pressure plate and 1/4" quick-connect terminals

**Covers\***

- Covers are included in the overall UL Listing/Recognition and CSA Certification
- \* Covers sold separately in multiples of three units. Order one unit per pole.

**Poles**

- 1-, 2-, 3-pole units factory assembled
- Single-pole units snap together to create desired number of poles

**Flammability ratings**

- Blocks UL 94V0, self-extinguishing
- Covers UL 94HB, self-extinguishing

**Operating and storage temperature range**

- Blocks -40°C to +120°C
- Non indicating covers -40°C to +120°C
- Indicating covers -20°C to +90°C\*\*
- \*\*Indication requires minimum 90 V and closed circuit to illuminate.

**Cover catalog numbers**

- For blocks with quick-connect terminals — CVR(I)-CCM-QC
- All other terminal options — CVR(I)-CCM

**Data sheet no. 10241**

**Recommended Bussmann series fuses**

- Class CC: LP-CC, FNQ-R, KTK-R
- UL 13/32" x 1-1/2": KTK, FNQ, KLM, FNM, BAF
- IEC 10x38mm: C10G, C10M, FWA, FWC

**Recommended DIN-Rail end stops**

- Catalog no. BRKT-ND
- Catalog no. BRKT-NDSCRW2

**Features**

- Available in 1-, 2- and 3-pole configurations to meet stocking requirements
- Blocks are fully modular with a snap-together design that provides toolless assembly of multiple pole blocks at point-of-use to reduce inventory and save assembly time and labor
- DIN-Rail and panel mount versatility allows one product to be used for multiple applications, lowering inventory cost
- Compact footprint consumes minimal panel space
- Optional see-through cover enhances safety with IP20 finger-safe protection, lockout/tagout capability and open circuit indication
- Easy circuit identification with available universal marker labels for fuse block covers
- Tin-plated bimetallic copper fuse clips deliver superior fatigue resistance compared to traditional spring brass
- Terminal options to meet application needs including 1/4" spade quick-connect terminals for faster panel assembly

**Terminals for 75/90°C Cu and AL wire**

Terminal type	AWG range	AWG	Torque lb-in (N·m)
Box lug (C)	Cu 2-14 Al 2-8	Cu 2-3	50 (5.6)
		Cu 4-6	45 (5.1)
		Cu 8-14	35 (4.0)
		Al 2-6	50 (5.6)
		Al 8	40 (4.5)
Screw (S)			
Screw/quick-connect* (SQ)	Cu 10-18	10-18	20 (2.3)
Pressure plate (P)			
Pressure plate/quick-connect* (PQ)			

\* 1/4" quick-connect terminal maximum amps dependent on female spade connector and wire ratings.

**Recommended covers†**

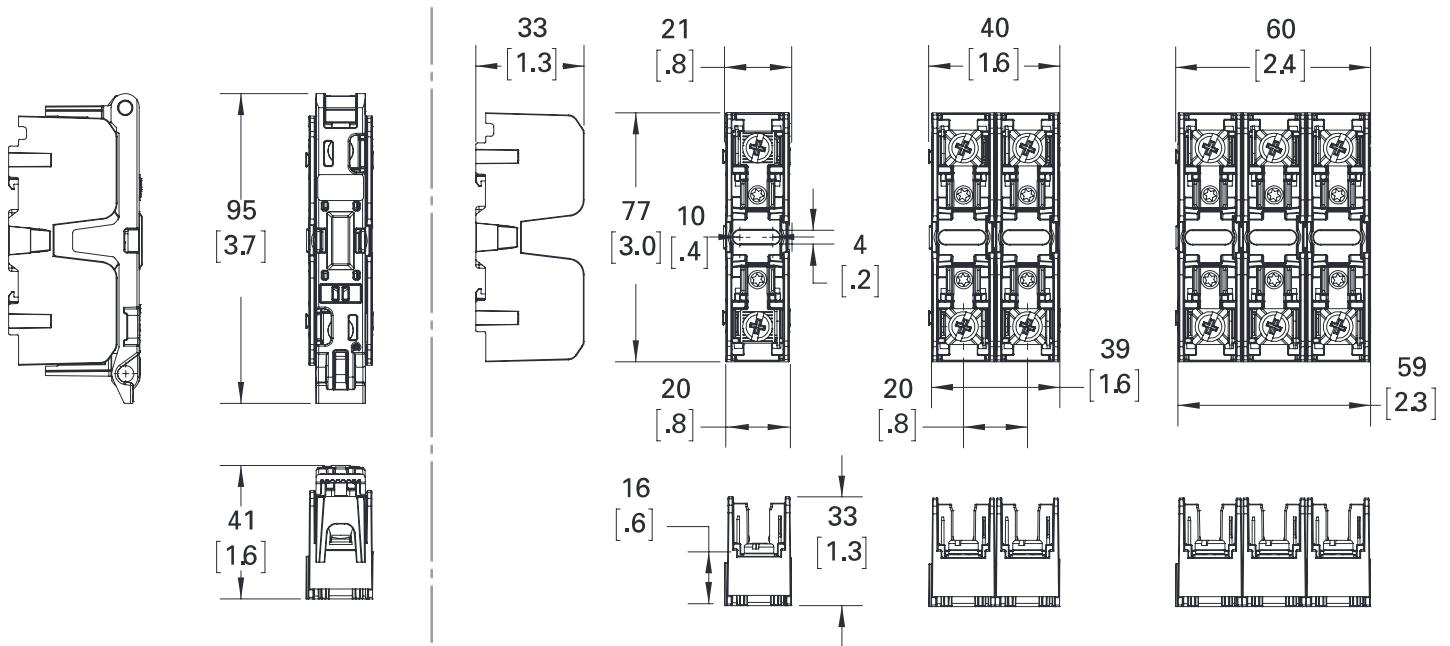
Terminal type	Cover catalog no.	
	Indicating	Non indicating
Box lug (C)	CVRI-CCM	CVR-CCM
Screw (S)	CVRI-CCM	CVR-CCM
Screw/quick-connect (SQ)	CVRI-CCM-QC	CVR-CCM-QC
Pressure plate (P)	CVRI-CCM	CVR-CCM
Pressure plate/quick-connect (PQ)	CVRI-CCM-QC	CVR-CCM-QC

† For use with 4 AWG max conductors.

Catalog no.						
Terminal type						
10-32 Phil-slot screw	Screw with quick-connect*	Pressure plate	Pressure plate with quick-connect*	Box lug	Poles	Fuse/class
BCM603-1S	BCM603-1SQ	BCM603-1P	BCM603-1PQ	BCM603-1C	1	CC
BCM603-2S	BCM603-2SQ	BCM603-2P	BCM603-2PQ	BCM603-2C	2	CC
BCM603-3S	BCM603-3SQ	BCM603-3P	BCM603-3PQ	BCM603-3C	3	CC
—	BMM603-1SQ	—	BMM603-1PQ	BMM603-1C	1	10x38 (13/32"x1-1/2")
—	BMM603-2SQ	—	BMM603-2PQ	BMM603-2C	2	10x38 (13/32"x1-1/2")
—	BMM603-3SQ	—	BMM603-3PQ	BMM603-3C	3	10x38 (13/32"x1-1/2")
—	BCCMM603-3SQ	—	BCCMM603-3PQ	—	3	3-Pole control circuit transformer block 2-pole CC with 1-pole 10x38mm (13/32" x 1-1/2")

\* 1/4" quick-connect terminal maximum amps dependent on female spade connector and wire ratings.

**Dimensions — mm (in)**



**CH modular, IP20 finger-safe DIN-Rail holders for Class CC, midget and PV fuses**

Bussmann series CH DIN-Rail fuse holders are for UL Class CC and midget fuses, and IEC 10x38mm fuses. They are available with and without indication in 1-, 2- and 3-pole IP20 finger-safe versions. A variety of accessories extends their application flexibility and they may be ganged together to meet specific application requirements.



**Ratings**

- Volts
    - 600 V (or less) UL
    - 690 V (or less) IEC
    - 1000 Vdc (or less) photovoltaic (PV)
  - Amps
    - 30 A UL
    - 32 A IEC
  - SCCR
    - 33 kA photovoltaic
    - 200 kA RMS Sym. (CHCC, CHM\*)
- \* CHM SCCR is fuse interrupting rating dependent.

**Agency information**

- CHCC, CHM; UL Listed Guide IZLT, Recognized Guide IZLT2, File E14853
- CHPV, UL Listed to 4248-19, Guide IZMR, File E348242
- CSA File 47235, CHPV and CHM - Class 6225-30, CHCC - Class 6225-01
- IEC 60269-2 (CHM, CHPV)
- CCC
- RoHS compliant
- CE

**Mounting: 35mm DIN-Rail**

**Wire range**

- 75°C and 90°C Cu
  - 18-4 AWG (0.8-21.1mm<sup>2</sup>)
  - Solid, stranded and fine stranded\*
- \* See data sheet 10430 for application details.

**Terminals**

- Single or dual conductors
- Comb busbar
- Terminal screws
  - Standard phil-slot
  - Optional hex head (order by adding “-H” suffix to the catalog number, e.g., CHM1DU-H)

**Torque**

- 30 lb-in (3.4 N•m) maximum

**Data sheet no. 10430**

**Flammability**

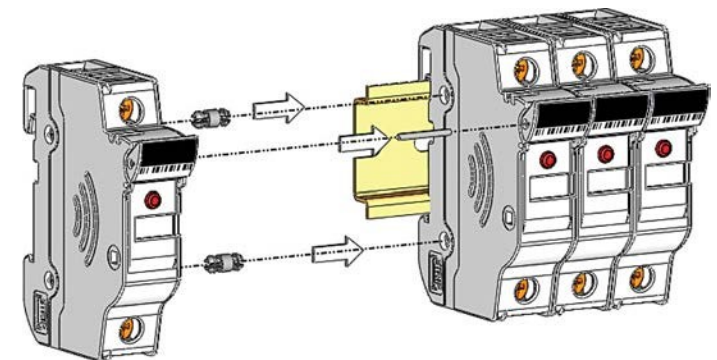
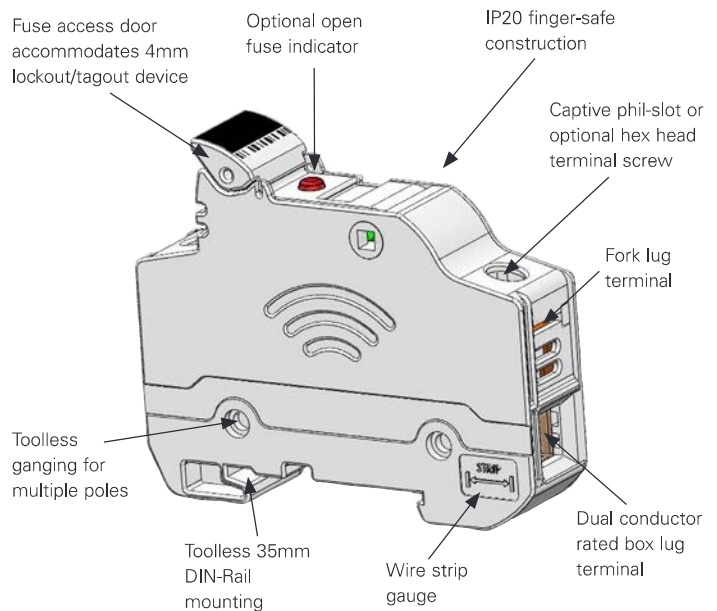
- UL 94V0, self-extinguishing

**Storage and operating temperature**

- -4°F (-20°C) to +194°F (90°C) indicating
- -4°F (-20°C) to +248°F (120°C) non-indicating

**Features**

- High SCCR rated, UL Listed Class CC holder with optional open fuse indication for 600 V and 48 Vdc (see catalog number table for details)
- Enhanced safety with IP20 finger-safe construction
- UL Recognized midget and IEC 10x38mm holders with factory assembled neutral pole option
- Agency ratings up to 1000 Vdc for use with PV fuses.
- Available remote PLC fuse indication module
- Wiring flexibility with terminals rated for use with 75°C or 90°C solid, stranded and fine stranded wire, and fork terminals and comb busbars. (Use any higher temperature insulations at the 90°C ampacity with appropriate derating.)
- Complete range of UL Listed and high SCCR rated one- and three-phase finger-safe comb busbars and power feed lugs
- Optional hex head terminal screw makes it easier to achieve necessary torque values



Gang multiple poles to meet application requirements using kit catalog number JV-L (gangs up to four poles).

**UL midget and IEC 10x38**



Catalog no. †		Volts and amps			Agency marks	Poles	SCCR	Recommended Bussmann series fuses
With indication*	Without indication	UL	IEC					
CHM1DIU	CHM1DU					1		
CHM2DIU	CHM2DU				UR, CSA, IEC 60269-2, CCC	2		
CHM3DIU	CHM3DU					3		
CHM4DIU	CHM4DU	600 V/30 A	690 V/32 A			4	200 kA RMS Sym. ††	BAF, BAN, FNM, FNQ, FWA, FWC, KLM, KTK, AGU, C10G_, C10M_
CHM1DNUI	CHM1DNU					1 + neutral		
CHM3DNUI	CHM3DNU				IEC 60269-2	3 + neutral		
CHM1DI-48U	—	48 Vdc/30 A	48 Vdc/32 A		UR, CSA, IEC 60269-2, CCC	1		
—	CHM1DNXU	—	690 V/32 A		IEC 60269-2		N/A	N/A
CHM1DCIU	CHM1DCU					1		600/690 V
CHM2DCIU	CHM2DCU					2		BAF, BAN, FNM, FNQ, FWA, FWC, KLM, KTK, AGU, C10G_, C10M_
CHM3DCIU	CHM3DCU	600 Vac, 1000 Vdc, 30 A	690 V, 32 A		UR, CSA, IEC 60269-2	3	200 kA RMS Sym. †† 33 kA DC	1000 Vdc PV-(amp)A10F, PV10M-(amp)
CHM4DCIU	CHM4DCU					4		

**UL Class CC**



Catalog no. †		Volts / amps	Agency marks	Poles	SCCR	Recommended Bussmann series fuses
With indication*	Without indication					
CHCC1DIU	CHCC1DU			1		
CHCC2DIU	CHCC2DU	600 V/30 A		2	200 kA RMS Sym.	LP-CC, FNQ-R, KTK-R
CHCC3DIU	CHCC3DU		UL, CSA, CCC	3		
CHCC1DI-48U	—	48 Vdc/30 A		1	33 kA DC	

**UL and IEC photovoltaic**



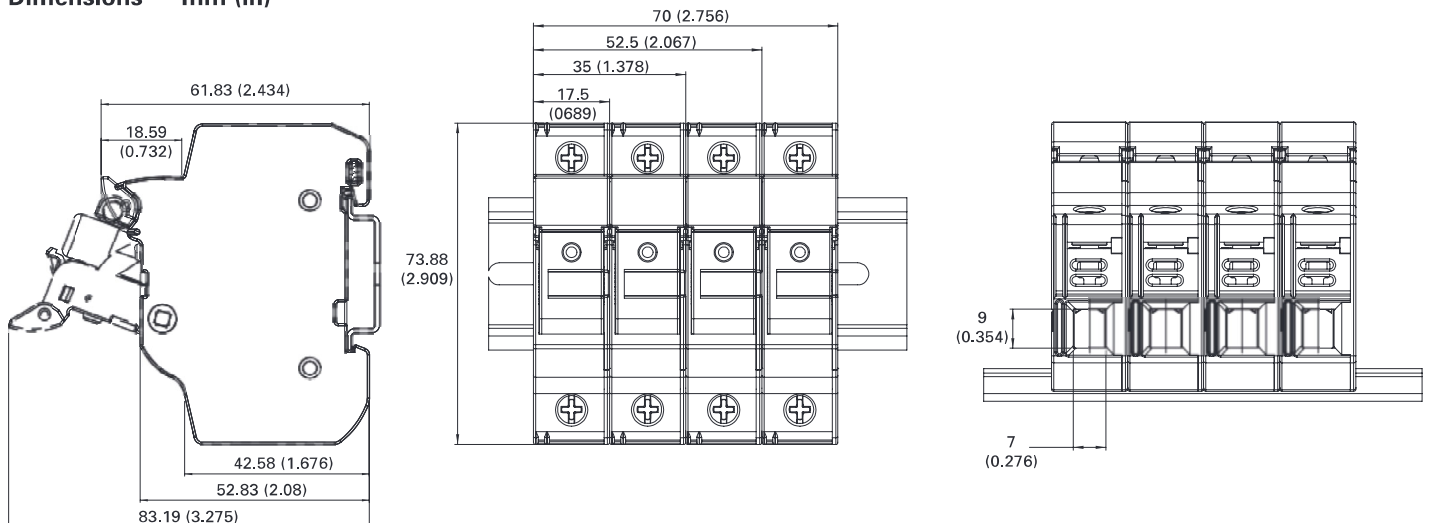
Catalog no. †		Volts / amps	Agency marks	Poles	SCCR	Recommended Bussmann series fuses
With indication*	Without indication					
CHPV1IU	CHPV1U	1000 Vdc/30 A	UL, CSA, , UL 4248-18, IEC 60269-1, CCC	1	33 kA DC	PV-(amp)A10F, PV10M-(amp)
CHPV2IU	CHPV2U			2		

† Available with optional hex head terminal screws. To order, add “-H” suffix to the desired catalog number.

††SCCR is limited to the interrupting rating of the installed fuse or 200 kA, which ever is less.

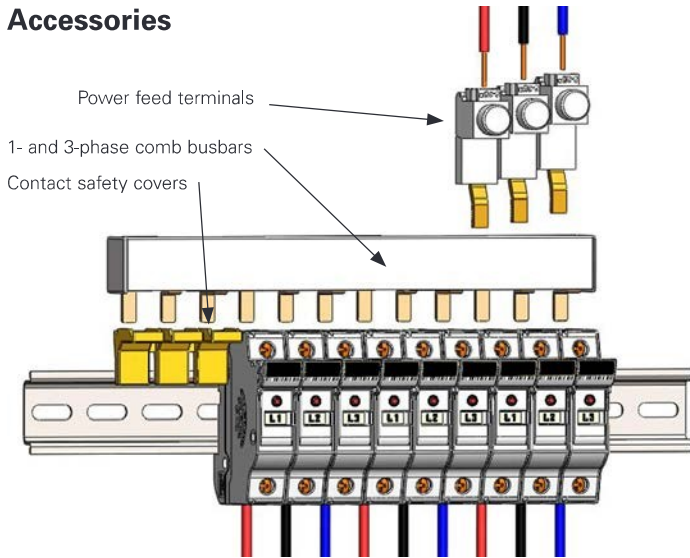
\* All models require 90 V minimum for illumination, except CHM1DI-48U that requires 15 V minimum.

**Dimensions — mm (in)**



Fuse blocks and holders

**Accessories**



**Comb busbars**

- Easily distribute power in single-or three-phase systems
- Flexible cut-to-length busbars do not compromise the finger-safe protection (requires using endcaps)
- 100 kA SCCR when protected by a max 200 A Class J fuse
- Single-phase busbars rated to 1000 Vdc and 100 A
- Three-phase busbars rated to 600 V and 100 A
- Power feed terminals for single-and three-phase systems

**Agency information**

- UL 508, File E195399

**Pitch 17.8mm**

**Ratings**

- Volts
  - 600 V max. (three-phase)
  - 1000 Vdc/600 Vac max. (single-phase)
- Amps 100 A max.
- SCCR
  - 10 kA (default)
  - 100 kA (with upstream Class J max 200 A fuses)

Catalog no.	Phase	No. of pins	Endcaps*
BB1P100M3	Single	3	Yes*
BB1P100M6		6	
BB1P100M9		9	
BB1P100M12		12	
BB1P100M15		15	
BB1P100M57		57 pin cuttable	No**
BB3P100M6	Three	6	Yes*
BB3P100M9		9	
BB3P100M12		12	
BB3P100M15		15	
BB3P100M57			

\* With endcaps assembled. If cut to length, order additional endcaps separately.  
\*\* Order end caps separately, ECAP1P for single-phase busbars and ECAPMP for three-phase busbars.

**Data sheet no. 10430**

**Power feed terminals**

PWR1PLP — Single-phase, low profile power feed terminal

**Ratings**

- Volts 1000 V
- Amps 115 A
- Wire range 1/0-10 AWG Cu, max torque 50 lb-in (5.6 N•m)
- Wire rating 60°C†



PWR35MM — 35mm<sup>2</sup> three-phase power feed terminal for three-phase busbars

**Ratings**

- Volts 1000 V
- Amps 115 A
- Wire range 1/0-10 AWG Cu, max torque 50 lb-in (5.6 N•m)
- Wire rating 60°C†



PWR50MM — 50mm<sup>2</sup> direct feed power terminal

**Ratings**

- Volts 1000 V
- Amps 115 A
- Wire range 1-14 AWG Cu, max torque 35 lb-in (3.9 N•m)
- Wire rating 75°C†



† Higher temperature rated wire may be used with appropriate derating.

**Comb busbar safety covers and end caps**

**FSCVR**

Spare comb busbar pin safety protection covers (used to cover exposed pins on comb busbars). Sold in quantity of ten strips of five covers each. (FSCVR comes with five covers on a strip. Minimum order is 10 strips or 50 safety covers total.)



**ECAP1P**

End cap for single-phase comb busbars. Sold in quantity of fifty.



**ECAPMP**

End cap for three-phase comb busbars. Sold in quantity of fifty.



**Accessory catalog numbers**

Catalog no.	Description	Carton quantity
PWR1PLP	Single-phase low-profile power feed terminal (115 A, 1000 V)	10
PWR35MM	35mm <sup>2</sup> power feed terminal for three-phase busbar (115 A, 1000 V)	10
PWR50MM	50mm <sup>2</sup> direct power feed terminal (1000 V)	10
ECAP1P	Single-phase busbar endcap	50
ECAPMP	Three-phase comb busbar end cap	50
FSCVR	Spare comb busbar pin safety protection covers	10 strips of five covers each, total 50 individual covers

## PLC fuse monitor

### Catalog no. CH-PLC2

The Bussmann series resettable PLC fuse monitor permits easy integration with a Programmable Logic Controller (PLC) or other monitoring and control equipment. Signals up to three-phases. Includes 0.11" (2.8mm) quick-connects for power, signal and ground connections.

### Ratings

- Signal output to PLC\*
  - +24 Vdc, 10 mA max
- Output signals
  - Digital 0 Vdc (low), 24 Vdc max (high)
  - 0 Vdc Low – fuse is good
  - 24 Vdc High – fuse has opened

\* When the fuse opens, the output signal is sent high and will remain high until the unit is reset.

### Agency information

- UL 508 Listed, Guide NKCR, File E170168
- cULus, Guide NKCR7, File E170168 to Canadian Standard 22.2, No. 14-13

### Emissions and immunity testing

- IEC 60947-1: Voltage Switchgear and Control Gear
- IEC 61000-6-2: Electromagnetic Compatibility (EMC)
  - IEC 61000-4-2: Electrostatic Discharge Immunity - Test at level 3 (6 kV-Contact Discharge) and level 2 (4 kV-Air Discharge)
  - IEC 61000-4-3: Electromagnetic Compatibility - Radiated, Radio-frequency, Electromagnetic Field Immunity test at level x (20 V/m)
  - IEC 61000-4-4: Electromagnetic Compatibility - Testing and Measurement Techniques at level 3 ( $\pm 2$  kV - Power Port and  $\pm 1$  kV - I/O Ports)
  - IEC 61000-4-5: Electromagnetic Compatibility - Surge Immunity test at level 4 ( $\pm 4$  kV)
  - IEC 61000-4-6: Immunity to Conducted Disturbances at level 3 (10 V)



### Flammability rating UL 94V0

### Local indication

- Two distinct LEDs indicate unit power (green) and open fuse (red). Open fuse LED is resettable upon fuse replacement and the actuating the reset switch

### Wiring

- For power, signal and ground connections use shielded twisted pair 22-24 AWG (0.34-0.25mm<sup>2</sup>) 300 V rated wire.

### Minimum circuit voltage

- Minimum circuit voltage required across the CH holder is 100 Vac for the remote indication device to operate

### Installation

- Mounts on the left side of the fuse holder and mechanically interlocks with the fuse holder switch handle with hardware provided

### Degree of protection IP20 finger-safe

### Storage and operating temperature

- -4°F (-20°C) to +167°F (+75°C)

### PLC programming

- The CH-PLC2 signal line is designed to provide a digital input to a PLC I/O card
- Programmable Logic Control program must be written to properly interpret the input signal to the PLC
- The PLC program should check for consecutive high signals before taking action on a critical process

### To order

- Specify catalog number CH-PLC2 (one unit)

### Data sheet no. 10430

## NDNF1-WH single-pole DIN-Rail mount fuse holding terminal block for 13/32" x 1-1/2" (10x38mm) fuses

**Ratings: 600 volts / 30 amps**

**Wire range 8-22 AWG Cu**

**Torque rating 2.03 N·m (18 lb-in)**

**Mounting 35mm DIN-Rail or C-rail**

### Fuse pullers

- PF1-WH (white)
- PF1-BK (black)

**Max operating temperature 105°C**

**Circuit jumper catalog no. JF1 for 2 circuits**



**Optima™ fuse holder module and module with disconnect switch**

**OPM-1038(R)(C) without switch**  
**OPM-1038(R)SW(C) with switch**



OPM-1038(R)(C) is a 3-pole modular fuse holder 13/32" x 1-1/2" (10x38mm) and Class CC fuses.

OPM-1038(R)SW(C)\* is a 3-pole load break modular fuse holder and disconnect switch for 13/32" x 1-1/2" (10x38mm) and Class CC fuses.

Both the OPM-1038(R)SW(C) and OPM-1038(R)(C) are available with optional communications for interfacing with programmable logic controllers.

\* Recommend using the UL 98 Listed CCP2 disconnect switch. See page 11-2.

**Ratings**

- See catalog numbers table

**Agency information**

- See catalog numbers table

**Flammability rating UL 94V0**

**OPM-1038(R)SW(C) switch horsepower ratings**

3-phase volts	240	480	600
HP	5	10	15

**Recommended Bussmann series fuses**

- Class CC; LP-CC, FNQ-R, KTK-R
- UL 13/32" x 1-1/2"; KTK, FNQ, KLM, FNM, BAF
- IEC 10x38mm; C10G, C10M, FWA, FWC

**Physical characteristics**

- Small size matches 45mm IEC starter width
- Accepts Cu AWG stranded 8-18 and solid 10-18 wire
- OPM-1038(R)SW(C) switch version requires a handle and shaft for through the door operation

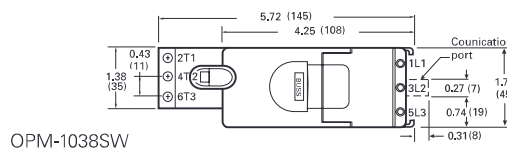
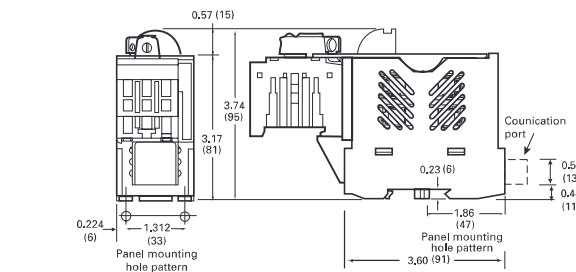
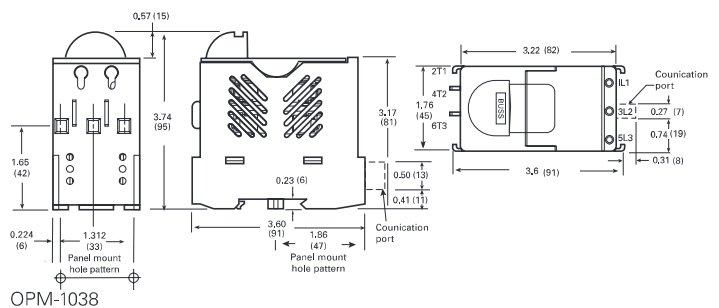
**Features**

- Padlockable with finger-safe terminals for safety. Qualified as IP20 per IEC 60529
- Cam-action handle for easy fuse module removal, offered with Class CC rejection clips or 13/32 x 1-1/2 (10x38mm) clips to meet global needs
- Wire ready with 35mm DIN-Rail or screw panel mounting (#8 screw, 1-1/4" long) saves installation time
- Fuse indication lights with optional communications for remote fuse status available. See data sheet for additional wiring details.

**Typical applications**

- Industrial control
- Process control systems
- Automated warehouse systems
- Individual control circuits

**Dimensions — in (mm)**



Catalog no.						
Without communication	With communication	Fuse type/size	Volts	Amps	SCCR	Agency information
<b>OPM with disconnect switch</b>						
OPM-1038SW	OPM-1038SWC*	Non-rejection, 13/32" x 1-1/2 or 10x38mm	600 Vac UL/CSA, 660 V IEC	30 A UL, 32 A IEC	**	UL 508 Recognized, Guide NLRV2, File E161278, CSA Certified, C22.2 No. 39, Class 6225-01, File 47235, IEC 60947-3, CE
OPM-1038RSW	OPM-1038RSWC*	Class CC	600 Vac UL/CSA	30 A	100 kA	UL 508 Listed, Guide NLRV, File E161278, CSA Certified, C22.2 No. 39, Class 6225-01, File 47235, IEC 60947-3, CE
<b>OPM without switch</b>						
OPM-1038	OPM-1038C*	Non-rejection, 13/32" x 1-1/2 or 10x38mm	600 Vac UL/CSA, 660 V IEC	30 A UL, 32 A IEC	**	UL 508 Listed, Guide IZLT2, File E114853, CSA Certified, C22.2 No. 39, Class 6225-01, File 47235, IEC 60269-2-1, CE
OPM-1038R	OPM-1038RC*	Class CC	600 Vac UL/CSA	30 A	200 kA	UL Listed, Guide IZLT2, File E114853, CSA Certified, C22.2 No. 39, Class 6225-01, File 47235, IEC 60269-2-1, CE

\* With communication not CE.

\*\* Rating varies depending on fuse used in module; 10 kA default, higher SCCR requires testing and certification.

**Data sheets no. 1002 (OPM-1038) and 1103 (OPM-1038SW)**

### OPM-NG Optima three-pole overcurrent protection module

The OPM-NG is a 3-pole protection module that's available in versions for Class CC, and UL 13/32" x 1-1/2" supplemental and 10x38mm IEC fuses.



#### Catalog numbers

- OPM-NG-SC3 (Class CC)
- OPM-NG-SM3 (UL/IEC)

#### Ratings

- Volts
  - 600 Vac (or less) UL and CSA
  - 690 Vac (or less) IEC
- Amps
  - 30 A UL and CSA
  - 32 A IEC
- SCCR
  - 200 kA Class CC
  - UL supplemental and IEC same as fuse IR up to 200 kA max

#### Agency information

- UL; OPM-NG-SC3 UL Listed, UL 4248, File E14853, Guide IZLT. OPM-NG-SM3, UL Recognized, UL 4248, File E14853, Guide IZLT2. CSA Certified, C22.2 No. 4248, Class 6225-01, File 47235. IEC 60947-3 Utilization Category AC20B, CE

#### Recommended Bussmann series fuses

- Class CC: LP-CC, FNQ-R, KTK-R
- UL 13/32" x 1-1/2": KTK, FNQ, KLM, FNM, BAF
- IEC 10x38mm: C10G, C10M, FWA, FWC

#### Features

- 45mm width matches IEC starters
- 35mm DIN-Rail or panel mount. Max. screw size #8 (M4).
- Pressure plate terminations with dual-wire rated terminals (see wire table) and optional auxiliary contacts
- Integrated collapsible handle and fuse carrier cannot be removed from holder base
- Padlockable and IP20 finger-safe to IEC 60529

#### Typical applications

- Mass produced control systems
- Process control systems
- Automated warehouse systems
- Individual control circuits

#### Fuse holder AWG wire range (75°C Cu only)\*

- 18-12, single/dual, torque 15 lb-in (1.7 N•m)
  - 10-8, single/dual, torque 20 lb-in (2.2 N•m)
- \* Dual wire with same gauge and type

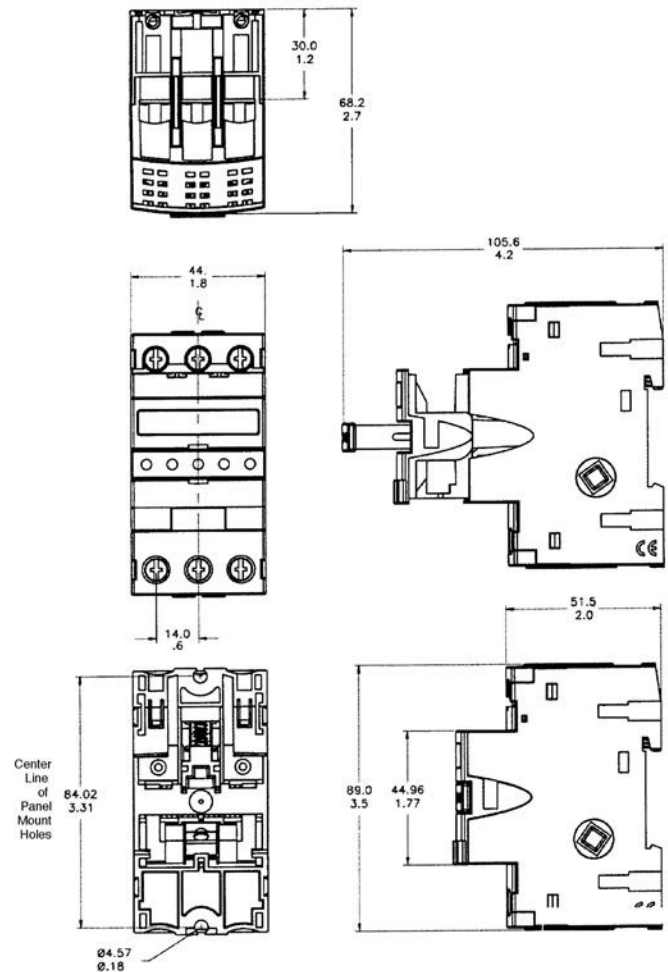
#### Input power terminal wire range (AWG)

Wire	AWG (mm²) range	Torque lb-in (N•m)	
		Connector	Screw clamp
Solid	Single 14-2 (1.5-25)	20 (2.2)	15 (1.7)
	Dual 14-6 (1.5-10)		
Stranded	Single 14-2 (1.5-25)		
	Dual 12-6 (2.5-10)		

#### Flammability rating

- UL V2

#### Dimensions — mm (in)



Fuse blocks and holders

**3743 open, add-on block for 13/32" x 1-1/2" (10x38mm) fuses**

Single pole blocks lock into each other and can be added at any time. Each has a single end barrier.

**Ratings**

Volts 600 V  
Amps 30 A

**Agency information**

- UL Recognized, Guide IZLT2, File E14853, CE



3743 open, add-on block



3742 end barrier only

**4421 and 4515 open single pole blocks for 13/32" x 1-1/2" (10x38mm) fuses.**

**Ratings**

- Volts 250 V
- Amps 30 A

**Agency information**

- CE



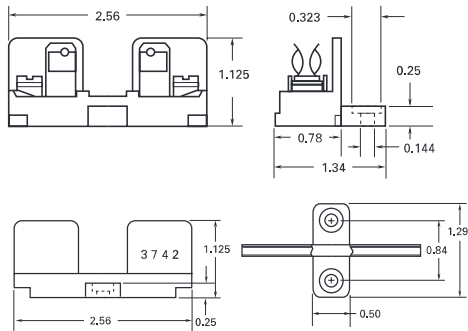
4421 solder terminal



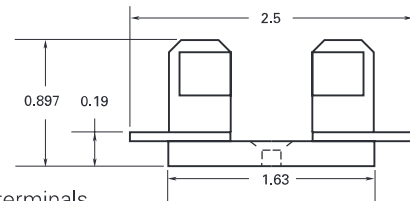
4515 screw terminal

Catalog no.	Terminals	Base width
4421	Solder	5/8" (16mm)
4515	Screw	3/4" (19mm)

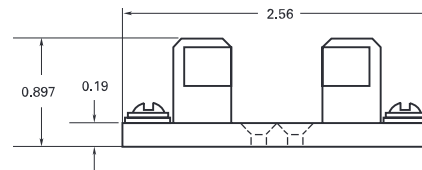
**Dimensions — in\***



\* Mounting screw hole diameter 0.147" (3.7mm). Counterbore diameter 0.636" (8mm). Max. #6 mounting screw.



4421 solder terminals



4515 with screw terminals

\* Mounting screw hole diameter 0.147". Counterbore diameter 0.312". Max. #6 mounting screw.

### BG and G Class G fuse blocks

Bussmann series open style BG and G fuse blocks are available in 1-, 2- and 3-pole configurations and offer a variety of terminal options.



#### Ratings

- Volts
  - 600 V (0-20 A)
  - 480 V (25-60 A)
- Amps up to 60 A
- SCCR 100 kA RMS Sym.

#### Agency information

- UL Listed, 4248-5, Guide IZLT, File E14853
- 1-60 A CSA Certified, C22.2 No. 39, Class 6225-01, File 47235
- RoHS compliant

#### Mounting

- Panel
- DIN-Rail with DRA-1 adapter

Catalog no./terminal					
Amps	Screw w/ quick-connect*	Pressure plate w/ quick-connect*	Box lug	Box lug w/ retaining clip	Poles
Up to 15	BG3011SQ	BG3011PQ	BG3011B	—	1
	BG3012SQ	BG3012PQ	BG3012B	—	2
	BG3013SQ	BG3013PQ	BG3013B	—	3
20	BG3021SQ	BG3021PQ	BG3021B	—	1
	BG3022SQ	BG3022PQ	BG3022B	—	2
	BG3023SQ	BG3023PQ	BG3023B	—	3
25-30	BG3031S	BG3031P	BG3031B	—	1
	BG3032S	BG3032P	BG3032B	—	2
	BG3033S	BG3033P	BG3033B	—	3
35-60	—	—	—	G30060-1CR	1
	—	—	—	G30060-2CR	2
	—	—	G30060-3C**	G30060-3CR	3
<b>AWG wire range/type</b>	10-14 Cu	10-18 Cu	6-14 Cu (1-30 A) 2-14 Cu (35-60 A) 2-8 Al (35-60 A)	2-14 Cu 2-8 Al	

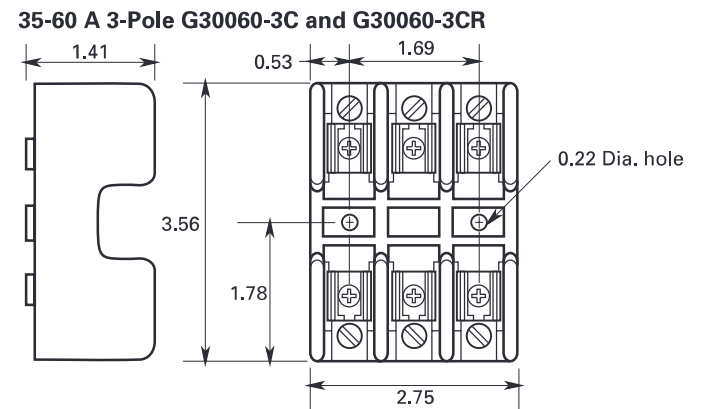
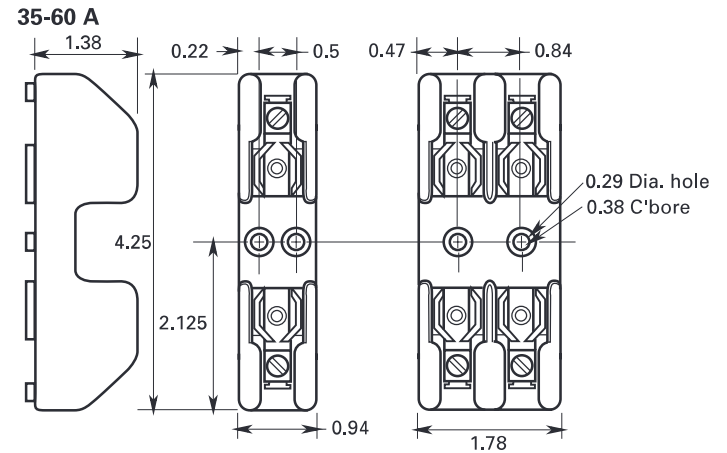
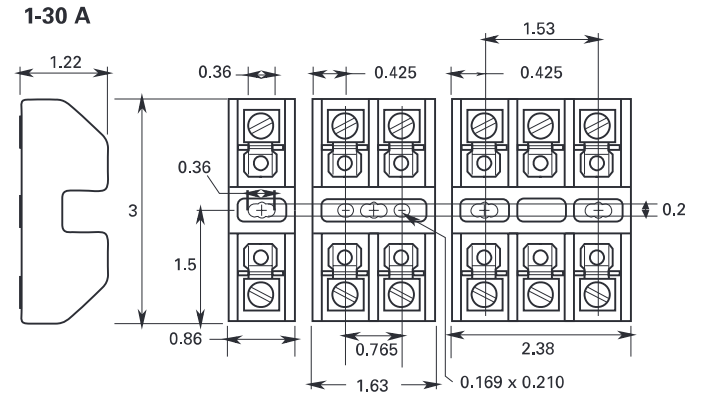
\* Quick-connect rated 20 A max.  
\*\* Not RoHS compliant.

#### Accessories

Catalog no.†	Description	Color
PF1-WH	Fuse cover/puller	White
PF1-BK		Black

† Order one cover per pole.

#### Dimensions — in



Fuse blocks and holders

## CH14 modular fuse holders for 14x51mm fuses

Bussmann series 14x51mm modular fuse holders are suitable for use with standard cylindrical fuses and high speed FW type ferrule fuses. With DIN-Rail or panel mount flexibility, their compact dimensions helps reduce space, allows for higher cable bending radius. Low watts loss and wide range of accessories make them ideally suited for most industrial applications.

### Ratings

- Volts
  - 690 Vac/750 Vdc (IEC)
  - 700 Vac (UL)
- Amps
  - 50 A
- SCCR
  - 120 kA AC
  - 10 kA DC (PV only)
- Power acceptance
  - 5 W to IEC 60269-2 (rated)
  - 6.2 W (max)
- Rated impulse withstand voltage ( $U_{imp}$ )
  - 6 kV
- Microswitch (IEC)
  - 250 Vac / 5 A



Shown with optional microswitch

### Agency information

- IEC 60269-1 and 2, UL Listed File E14853, CCC (UL/IEC)
- IEC 60269-1 and 2, UL Listed File E348242, CCC (PV)
- RoHS compliant

### Poles

1 to 4

### Protection index

- IP20

### Temperature range

- Storage
  - -40°C to +80°C (CH14D)
  - -20°C to +90°C (CHPV14 indicating)
  - -20°C to +120°C (CHPV14 non-indicating)
- Operating
  - -20°C to +70°C (CH14D)
  - -20°C to +90°C (CHPV14 indicating)
  - -20°C to +120°C (CHPV14 non-indicating)

### Features

- Ventilation zones optimized for better heat dissipation
- Built-in padlocking facility and IP20 degree of protection
- Photovoltaic version rated at 1500 Vdc (IEC only) for use with gPV fuses

### Data sheet no. 10080

Catalog no.	Poles	Description
<b>UL/IEC holders</b>		
CH141DNXU	1	Neutral holder
CH141DU	1	Fuse holder
CH142DU	2	
CH143DU	3	
CH144DU	4	
CH141DNU	2	1-pole holder+ neutral
CH143DNU	4	3-pole holder+ neutral
CH141DIU	1	Fuse holder with neon indicator
CH142DIU	2	
CH143DIU	3	
CH144DIU	4	
CH141DNUI	2	1-pole holder + neutral + neon indicator
CH143DNUI	4	3-pole holder + neutral + neon indicator
CH141DMSU-F	1	Holder + microswitch
CH143DMSU-F	3	
CH143DNMSU-F	4	3-pole holder+ neutral + microswitch
CHPV141DI-48U	1	Holder with LED indicator
<b>1500 Vdc photovoltaic holders</b>		
CHPV141U	1	Holder
CHPV141IU	1	Holder with neon indicator
CHPV142U	2	Holder
CHPV142IU	2	Holder with neon indicator

### Accessories

Catalog no.	Description
JV-L	Multi-pole connector kit; one kit gangs up to 4 poles
CH14-SPS	Microswitch for CH141D(I)U; 1 NO + 1 NC changeover type
CH14-TPS	Microswitch for CH143D(I)U; 1 NO + 1 NC changeover type
CH14-CTP	IP20 protection accessory for terminals with 10mm <sup>2</sup> or less cable

## CH22 modular fuse holders for 22x58mm fuses

Bussmann series 22x58mm modular fuse holders are suitable for use with standard cylindrical fuses and high speed FW type ferrule fuses. Their compact dimensions help reduce space and allow for higher cable bending radius. Low watts loss and wide range of accessories make them ideally suited for most industrial applications.

### Ratings

- Volts
  - 690 Vac/1000 Vdc (IEC)
  - 700 Vac (UL)
- Amps
  - 125 A (IEC)
  - 100 A (UL)
- SCCR
  - 120 kA AC
  - 50 kA DC
- Power acceptance
  - 9.5 W to IEC 60269-2
- Rated impulse withstand voltage ( $U_{imp}$ )
  - 6 kV
- Microswitch (IEC)
  - 250 Vac / 5 A



### Agency information

- IEC 60269-1 and 2, UL Listed File E14853, CCC, RoHS compliant

### Poles

1 to 4

### Protection index

- IP20 Finger-safe\*
- \* Available protection accessory CH22-CTP for use with conductors of 10mm<sup>2</sup> or less

### Wire size (Cu only)

- 2.5-70mm<sup>2</sup>

### Temperature range

- Storage -40°C to +80°C
- Operating -20°C to +70°C

### Features

- Compact dimensions
- Ventilation zones optimized for a better heat dissipation
- Built-in padlocking facility
- IP20 degree of protection
- Flexibility to mount on DIN Rail and screw mounting
- Toolless DIN-Rail mounting, improves ease of use and reduces installation time and costs

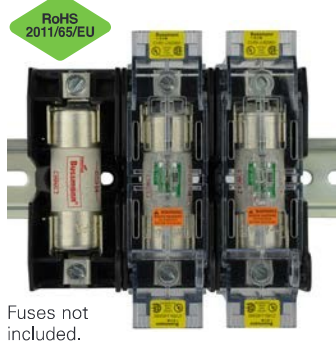
Catalog no.	Poles	Description
CH221DNXU	1	Neutral holder
CH221DU	1	Fuse holder
CH222DU	2	
CH223DU	3	
CH224DU	4	
CH221DIU	1	Holder with neon indicator
CH222DIU	2	
CH223DIU	3	
CH224DIU	4	
CH221DNU	2	1-pole holder + neutral
CH223DNU	4	3-pole holder + neutral
CH221DNIU	2	1-pole holder+ neutral + neon indicator
CH223DNIU	4	3-pole holder+ neutral + neon indicator
CH221DMSU-F	1	Holder with microswitch (pre-breaking/fuse operation)
CH223DMSU-F	3	3-pole holder + microswitch (pre-breaking/fuse operation)
CH223DNMSU-F	3	3-pole holder + neutral + microswitch (pre-breaking/fuse operation)
CH221DI-48U	1	1-pole holder with LED Indicator

### Accessories

Catalog no.	Description
JV-L	Multi-pole connector kit; one kit gangs up to 4 poles
CH22-SPS	Microswitch for CH221D(I)U; 1 NO + 1 NC changeover type
CH22-TPS	Microswitch for CH223D(I)U; 1 NO + 1 NC changeover type
CH22-CTP	IP20 protection accessory for terminals with 10mm <sup>2</sup> or less cable

### JM70100 700 V modular fuse blocks and modular power distribution fuse blocks for 22x58mm IEC fuses

The patented JM70100 fuse block products are available for 22x58mm gG, aM and select high speed fuses as either a fuse block or power distribution fuse block. The power distribution fuse blocks eliminate the need for a separate power distribution block, and require up to 78 percent less panel space while reducing installation time and labor by an average of 36 percent.



All blocks are equipped with a fuse clip reinforcing spring to minimize temperature rise while maintaining reliable surface contact between the fuse and clip over the block's service life.

Rated for applications up to 700 V and 100 amps, their modular design allows for assembly of multiple pole configurations at the point of use. These blocks can also be ordered as factory configured 2- and 3-pole versions.

The versatile 35mm DIN-rail or panel mount capability allows using the same block for multiple applications and reducing inventory cost.

Optional IP20 finger-safe covers enhance electrical safety with a lockout/tagout feature and can be ordered with or without open fuse indication to speed troubleshooting.

The high 200 kA SCCR rating helps achieve a higher assembly short-circuit current rating (SCCR) for compliance with NEC® sections 110.10, 409.110(4), 409.22, 440.4(B), 670.3(A)(4) and 670.5.

Easy circuit identification with available universal labels for blocks and covers.

#### Fuse class

- IEC 22x58mm gG, gL, aM and aR and gR high speed fuses

#### Ratings

- Volts 700 V
- Amps 100 A
- SCCR 200 kA RMS Sym.

#### Agency information

- Blocks; UL Recognized, Guide IZLT2, File E14853, CSA Component acceptance 47235 — 6225-01
- Covers UL Listed, Guide JDVS, File E58836
- RoHS compliant

#### Poles

- 1-, 2-, 3-pole
- Single-pole units snap together to create desired number of poles

#### Flammability ratings

- Blocks: UL 94V0, self-extinguishing
- Covers: UL 94HB, self-extinguishing

#### Operating and storage temperature range

- Blocks -40°C to +120°C
- Covers; Non-indicating -40°C to +120°C, Indicating -20°C to +90°C

#### Conductors

- 75°C Cu/Al\*

\* Conductors with higher temperature rating may be used, but at their 75°C ampacity.

#### Accessories

- Optional IP20 finger-safe covers in indicating and non-indicating versions. Order one for each pole

Catalog no.	Optional covers*	Fuse amp range	Poles	Lineside conductors and torque			Loadside conductors and torque		
				Conductors	Size (AWG)	N·m (lb-in)	Conductors	Size (AWG)	N·m (lb-in)
<b>Fuse blocks</b>									
JM70100-1CR			1		2-3	5.6 (50)		2-3	5.6 (50)
JM70100-2CR	CVR-J-60060 CVRI-J-60060**	Up to 100	2	Cu 2-14 Al 2-8	4-6	5.1 (45)	Cu 2-14 Al 2-8	4-6	5.1 (45)
JM70100-3CR			3		8	4.5 (40)		8	4.5 (40)
						10-14	4.0 (35)		10-14
<b>Power distribution fuse blocks</b>									
JM70100-1MW14			1		2-3	5.6 (50)		Cu (1) 8	3.4 (30)
JM70100-2MW14	CVR-J-60060 CVRI-J-60060**	Up to 100	2	Cu 2-14 Al 2-8	4-6	5.1 (45)	Cu (1) 8-18 Cu (2) 12-18	Cu (1) 10-18	2.8 (25)
JM70100-3MW14			3		8	4.5 (40)	Al (1) 8 Str Al (1) 10 Sol	Cu (2) 12-18	3.4 (30)
						10-14	4.0 (35)	Al (1) 8-10	3.4 (30)

\* Covers sold separately, one cover per pole.

\*\*Open fuse indication requires 90 volts minimum and closed circuit to operate.

## HM modular 250 V and 600 V Class H(K) fuse blocks

Class H(K) modular fuse blocks enhance safety for any panel or electrical system design and are available for the full Class H(K) fuse amp range.

All blocks are available as snap-together single-pole versions for toolless assembly of multiple poles at point of use, or as factory configured 2-, and 3-pole versions to meet stocking requirements.

All blocks are equipped with a fuse clip reinforcing spring to minimize temperature rise while maintaining reliable surface contact between the fuse and clip over the block's service life.

30 and 60 amp ferrule fuse blocks save panel space with the smallest width dimension on the market and feature DIN-Rail and panel mount versatility.

100 to 600 amp knifeblade fuse blocks feature phase barriers between poles for additional safety with up to four mounting holes per pole to increase installation flexibility. All knifeblade blocks meet UL creep and clearance requirements for Industrial Power Circuits (UL 508 and UL 845), with the 200 to 600 amp blocks meeting the higher UL creep and clearance requirements for Power Distribution Standards (UL 98, UL 67, UL 489, UL 891 and UL 869A)

All blocks are available with optional IP20 finger-safe high clarity, see-through covers for inspecting wire terminations or thermography measurements without removal. All covers enhance safety by featuring probe holes for easier, safer testing and a lockout/tagout capability. These covers also have optional open fuse indication to speed troubleshooting.

Easy circuit identification is available for 30 and 60 amp blocks and covers with universal marker labels.



### Ratings

- Volts
  - 250 V
  - 600 V
- Amps up to 600
- SCCR 10 kA RMS Sym.

### Agency information

- Blocks; UL Listed, Guide IZLT and IZLT7, File E14853, CSA Certified 47235-6225-01, CE
- RoHS Compliant
- Covers; UL Listed, Guide JDVS, File E58836, CSA Certified 47235-6225-01 (30 and 60 A)
- RoHS Compliant

### Poles

- 1-, 2-, 3-pole units factory assembled
- Single-pole units snap together to create desired number of poles

### Flammability ratings

- Blocks: UL 94V0, self-extinguishing
- Covers: UL 94HB, self-extinguishing

### Operating and storage temperature range

- Blocks -40°C to +120°C
- Covers; Non-Indicating -40°C to +120°C, Indicating -20°C to +90°C\*

\* Indication requires minimum 90 V and closed circuit to illuminate.

### Conductors

- See catalog numbers for details and torque specifications

### Class K 30 and 60 amp blocks and covers

Fuse amp range	Poles	Catalog no./terminal type					Optional covers*	
		Box lug/slot screw	Box lug/hex screw	10-32 Phil-slot screw	Screw with quick-connect	Pressure plate	Indicating**	Non-indicating
<b>250 volt blocks</b>								
up to 30	1	HM25030-1CR	HM25030-1CHR	HM25030-1SR	HM25030-1QR	HM25030-1PR	CVRI-RH-25030	CVR-RH-25030
	2	HM25030-2CR	HM25030-2CHR	HM25030-2SR	HM25030-2QR	HM25030-2PR		
	3	HM25030-3CR	HM25030-3CHR	HM25030-3SR	HM25030-3QR	HM25030-3PR		
35 to 60	1	HM25060-1CR	HM25060-1CHR				CVRI-RH-25060	CVR-RH-25060
	2	HM25060-2CR	HM25060-2CHR	—	—	—		
	3	HM25060-3CR	HM25060-3CHR					
<b>600 volt blocks</b>								
up to 30	1	HM60030-1CR	HM60030-1CHR	HM60030-1SR		HM60030-1PR	CVRI-RH-60030	CVR-RH-60030
	2	HM60030-2CR	HM60030-2CHR	HM60030-2SR		HM60030-2PR		
	3	HM60030-3CR	HM60030-3CHR	HM60030-3SR		HM60030-3PR		
35 to 60	1	HM60060-1CR	HM60060-1CHR				CVRI-RH-60060	CVR-RH-60060
	2	HM60060-2CR	HM60060-2CHR	—		—		
	3	HM60060-3CR	HM60060-3CHR					

\* Covers sold separately, one cover per pole.

\*\*Open fuse indication requires 90 volts minimum and closed circuit to operate.

**Class H 100 to 600 amp knifeblade blocks and covers**

Fuse amp range	Poles	Catalog no.	Optional covers*		Conductors***		Torque N·m (lb-in)				
			Non-indicating	Indicating**	Solid and stranded	Fine stranded					
<b>250 volt blocks</b>											
70-100	1	HM25100-1CR	CVR-RH-25100	CVRI-RH-25100	—	Cu 1-3 AWG	6.2 (55)				
					1/0-3 AWG; (2) Cu 4-6 AWG	Cu 4-6 AWG	5.6 (50)				
					2 4-6 AWG; (2) Cu 8 AWG	Cu 8 AWG	5.1 (45)				
	2	HM25100-2CR			8 AWG; (2) Cu 10-14 AWG	—	4.5 (40)				
					3	HM25100-3CR	Cu 10-14 AWG; Al 10-12 AWG	—	4.0 (35)		
							250kcmil-1 AWG	Cu 3/0-1 AWG	42 (375)		
110-200	1	HM25200-1CR	CVR-RH-25200	CVRI-RH-25200	2-6 AWG; (2) Cu 2-6 AWG	Cu 2-6 AWG	31 (275)				
					2	HM25200-2CR	600kcmil	—	57 (500)		
							3	HM25200-3CR	500kcmil-4 AWG	N/A	51 (450)
225-400	1	HM25400-1CR			(2) Cu 3/0 - 4 AWG	—			57 (500)		
					2	HM25400-2CR	(2) Al 3/0 - 4 AWG	—	34 (300)		
							3	HM25400-3CR	2 (2) 500kcmil-4 AWG	N/A	51 (450)
450-600	1	HM25600-1CR	CVR-RH-25600	CVRI-RH-25600	2 (2) 500kcmil-4 AWG	N/A			51 (450)		
					2	HM25600-2CR	—	Cu 1-3 AWG	6.2 (55)		
							3	HM25600-3CR	1/0-3 AWG; (2) Cu 4-6 AWG	Cu 4-6 AWG	5.6 (50)
70-100	1	HM60100-1CR			CVR-RH-60100	CVRI-RH-60100			2 4-6 AWG; (2) Cu 8 AWG	Cu 8 AWG	5.1 (45)
							2	HM60100-2CR	8 AWG; (2) Cu 10-14 AWG	—	4.5 (40)
									3	HM60100-3CR	Cu 10-14 AWG; Al 10-12 AWG
110-200	1	HM60200-1CR	CVR-RH-60200	CVRI-RH-60200			250kcmil-1 AWG	Cu 3/0-1 AWG			42 (375)
							2	HM60200-2CR	2-6 AWG; (2) Cu 2-6 AWG	Cu 2-6 AWG	31 (275)
									3	HM60200-3CR	600kcmil
225-400	1	HM60400-1CR			CVR-RH-60400	CVRI-RH-60400	500kcmil-4 AWG	N/A			51 (450)
							2	HM60400-2CR	(2) Cu 3/0 - 4 AWG	—	57 (500)
									3	HM60400-3CR	(2) Al 3/0 - 4 AWG
450-600	1	HM60600-1CR	CVR-RH-60600	CVRI-RH-60600			2 (2) 500kcmil-4 AWG	N/A			51 (450)
							2	HM60600-2CR	—	Cu 1-3 AWG	6.2 (55)
									3	HM60600-3CR	1/0-3 AWG; (2) Cu 4-6 AWG

\* Covers sold separately.  
 \*\* Open fuse indication requires 90 volts minimum and closed circuit to operate.  
 \*\*\* Ratings for copper and aluminum conductors except where otherwise noted.

**Class K 30 and 60 amp block terminals and conductors**

Terminal type	AWG type/range	AWG	Torque N·m (lb-in)
Box lug	75°C Cu 2-14, AL 2-8	2-3	5.6 (50)
		4-6	5.1 (45)
		8	4.5 (40)
		10-14	4.0 (35)
		10-32 Phil-slot screw	75/90°C Cu 10-18
Screw with quick-connect*			
Pressure plate			

\* 3/16" quick-connect terminal maximum amps dependent on female spade connector and wire ratings.

**Recommended DIN-Rail stops for 30 and 60 amp blocks**

Catalog no.	Description
BRKT-ND	DIN-Rail end stops
BRKT-NDSCREW2	

## RM modular 250 V and 600 V Class R fuse blocks

Class R modular fuse blocks enhance safety for any panel or electrical system design and are available for the full Class R fuse amp range.

All blocks are available as snap-together single-pole versions for toolless assembly of multiple poles at point of use, or as factory configured 2-, and 3-pole versions to meet stocking requirements.

All blocks are equipped with a fuse clip reinforcing spring to minimize temperature rise while maintaining reliable surface contact between the fuse and clip over the block's service life.

30 and 60 amp ferrule fuse blocks save panel space with the smallest width dimension on the market and feature DIN-Rail and panel mount versatility.

100 to 600 amp knifeblade fuse blocks feature phase barriers between poles for additional safety with up to four mounting holes per pole to increase installation flexibility. All knifeblade blocks meet UL creep and clearance requirements for Industrial Power Circuits (UL 508 and UL 845), with the 200 to 600 amp blocks meeting the higher UL creep and clearance requirements for Power Distribution Standards (UL 98, UL 67, UL 489, UL 891 and UL 869A).

All blocks are available with optional IP20 finger-safe high clarity, see-through covers for inspecting wire terminations or thermography measurements without removal. All covers enhance safety by featuring probe holes for easier, safer testing and a lockout/tagout capability. These covers also have optional open fuse indication to speed troubleshooting.

Easy circuit identification is available for 30 and 60 amp blocks and covers with universal marker labels.



### Ratings

- Volts
  - 250 V
  - 600 V
- Amps up to 600
- SCCR 200 kA RMS Sym.

### Agency information

- Blocks; UL Listed Guide IZLT and IZLT7, File E14853, CSA Certified 47235-6225-01, CE
- Covers; UL Listed Guide JDVS, File E58836, CSA Certified 47235-6225-01 (30 and 60 A)
- RoHS Compliant

### Poles

- 1-, 2-, 3-pole units factory assembled
- Single-pole units snap together to create desired number of poles

### Flammability ratings

- Blocks: UL 94V0, self-extinguishing
- Covers: UL 94HB, self-extinguishing

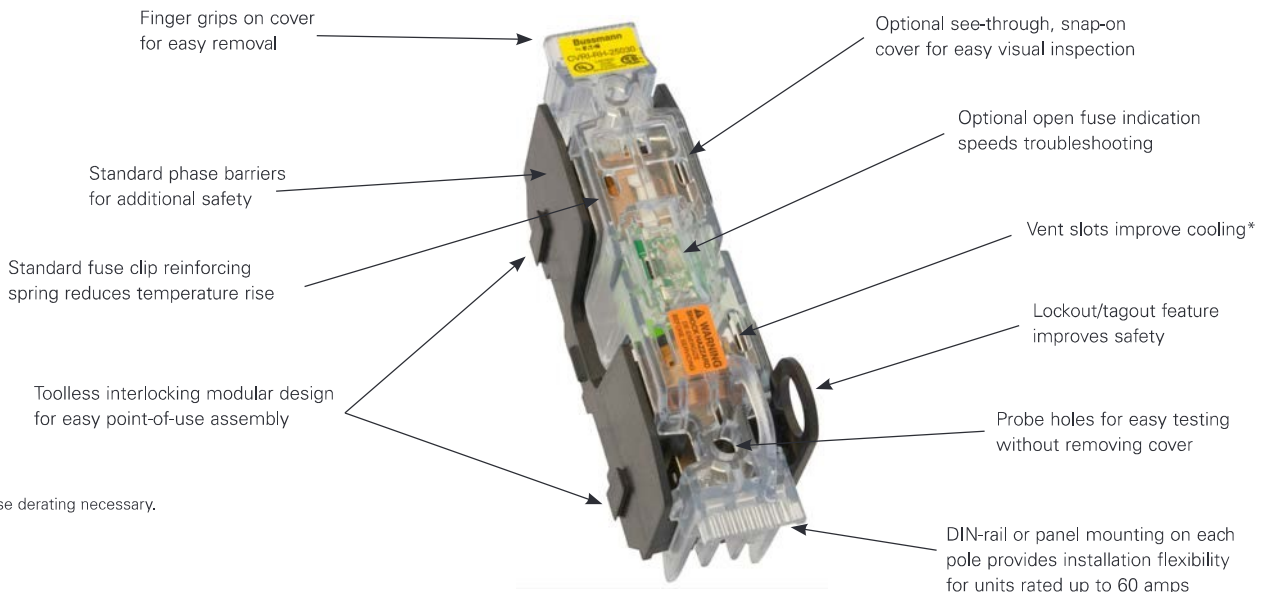
### Operating and storage temperature range

- Blocks -40°C to +120°C
- Covers; Non-Indicating -40°C to +120°C, Indicating -20°C to +90°C\*

\* Indication requires minimum 90 V and closed circuit to illuminate.

### Conductors

- See catalog numbers for details and torque specifications



\*No fuse derating necessary.

Fuse blocks and holders

## Class R 30 and 60 amp blocks and covers

Fuse amp range	Poles	Catalog no./terminal type					Optional covers*		
		Box lug/ slot screw	Box lug/ hex screw	10-32 Phil-slot screw	screw with quick-connect	Pressure plate	Indicating**	Non- indicating	
<b>250 volt blocks</b>									
up to 30	1	RM25030-1CR	RM25030-1CHR	RM25030-1SR	RM25030-1QR	RM25030-1PR			
	2	RM25030-2CR	RM25030-2CHR	RM25030-2SR	RM25030-2QR	RM25030-2PR	CVRI-RH-25030	CVR-RH-25030	
	3	RM25030-3CR	RM25030-3CHR	RM25030-3SR	RM25030-3QR	RM25030-3PR			
35 to 60	1	RM25060-1CR	RM25060-1CHR						
	2	RM25060-2CR	RM25060-2CHR	—	—	—	CVRI-RH-25060	CVR-RH-25060	
	3	RM25060-3CR	RM25060-3CHR						
<b>600 volt blocks</b>									
up to 30	1	RM60030-1CR	RM60030-1CHR	RM60030-1SR		RM60030-1PR			
	2	RM60030-2CR	RM60030-2CHR	RM60030-2SR		RM60030-2PR	CVRI-RH-60030	CVR-RH-60030	
	3	RM60030-3CR	RM60030-3CHR	RM60030-3SR		RM60030-3PR			
35 to 60	1	RM60060-1CR	RM60060-1CHR		—				
	2	RM60060-2CR	RM60060-2CHR	—		—	CVRI-RH-60060	CVR-RH-60060	
	3	RM60060-3CR	RM60060-3CHR						

\* Covers sold separately, order one cover per pole.

\*\*Open fuse indication requires 90 volts minimum and closed circuit to operate.

## Class R 30 and 60 amp block terminals and conductors

Terminal type	AWG type/range	AWG	Torque N·m (lb-in)
Box lug	75°C Cu 2-14, AL 2-8	2-3	5.6 (50)
		4-6	5.1 (45)
		8	4.5 (40)
		10-14	4.0 (35)
10-32 Phil-slot screw	75/90°C Cu 10-18	10-18	2.3 (20)
Pressure plate			
Screw with quick-connect*			

\* 3/16" quick-connect terminal maximum amps dependent on female spade connector and wire ratings.

## Recommended DIN-Rail stops for 30 and 60 amp blocks

Catalog no.	Description
BRKT-ND	DIN-Rail end stops
BRKT-NDSCREW2	

**Class R 100 to 600 amp knifeblade blocks and covers**

Fuse amp range	Poles	Catalog no.	Optional covers*		Conductors***		Torque N·m (lb-in)				
			Non-indicating	Indicating**	Solid and stranded	Fine stranded					
<b>250 volt blocks</b>											
70-100	1	RM25100-1CR	CVR-RH-25100	CVRI-RH-25100	—	Cu 1-3 AWG	6.2 (55)				
					1/0-3 AWG; (2) Cu 4-6 AWG	Cu 4-6 AWG	5.6 (50)				
					2 4-6 AWG; (2) Cu 8 AWG	Cu 8 AWG	5.1 (45)				
	2	RM25100-2CR			8 AWG; (2) Cu 10-14 AWG	—	4.5 (40)				
					3	RM25100-3CR	Cu 10-14 AWG; Al 10-12 AWG	—	4.0 (35)		
							250kcmil-1 AWG	Cu 3/0-1 AWG	42 (375)		
110-200	2	RM25200-2CR	CVR-RH-25200	CVRI-RH-25200	2-6 AWG; (2) Cu 2-6 AWG	Cu 2-6 AWG	31 (275)				
					3	RM25200-3CR	600kcmil		57 (500)		
							500kcmil-4 AWG	N/A	51 (450)		
225-400	1	RM25400-1CR			CVR-RH-25400	CVRI-RH-25400	(2) Cu 3/0 - 4 AWG		57 (500)		
							2	RM25400-2CR	(2) Al 3/0 - 4 AWG		34 (300)
									2 (2) 500kcmil-4 AWG	N/A	51 (450)
450-600	2	RM25600-2CR	CVR-RH-25600	CVRI-RH-25600			2 (2) 500kcmil-4 AWG	N/A	51 (450)		
							3	RM25600-3CR			
<b>600 volt blocks</b>											
70-100	1	RM60100-1CR			CVR-RH-60100	CVRI-RH-60100	—	Cu 1-3 AWG	6.2 (55)		
							1/0-3 AWG; (2) Cu 4-6 AWG	Cu 4-6 AWG	5.6 (50)		
			2 4-6 AWG; (2) Cu 8 AWG	Cu 8 AWG			5.1 (45)				
	2	RM60100-2CR	8 AWG; (2) Cu 10-14 AWG	—			4.5 (40)				
			3	RM60100-3CR			Cu 10-14 AWG; Al 10-12 AWG	—	4.0 (35)		
							250kcmil-1 AWG	Cu 3/0-1 AWG	42 (375)		
110-200	2	RM60200-2CR	CVR-RH-60200	CVRI-RH-60200	2-6 AWG; (2) Cu 2-6 AWG	Cu 2-6 AWG	31 (275)				
					3	RM60200-3CR	600kcmil		57 (500)		
							500kcmil-4 AWG	N/A	51 (450)		
225-400	1	RM60400-1CR			CVR-RH-60400	CVRI-RH-60400	(2) Cu 3/0 - 4 AWG		57 (500)		
							2	RM60400-2CR	(2) Al 3/0 - 4 AWG		34 (300)
									2 (2) 500kcmil-4 AWG	N/A	51 (450)
450-600	2	RM60600-2CR	CVR-RH-60600	CVRI-RH-60600			2 (2) 500kcmil-4 AWG	N/A	51 (450)		
							3	RM60600-3CR			

\* Covers sold separately, order one cover per pole.

\*\* Open fuse indication requires 90 volts minimum and closed circuit to operate.

\*\*\* Ratings for copper and aluminum conductors except where otherwise noted.

## HM modular 250 V and 600 V Class H(K) power distribution fuse blocks

The patented 30 and 60 amp 250 V and 600 V Class H(K) power distribution fuse blocks use fewer wire connections to reduce watts loss and overall operating temperature of the panel, while simplifying panel layout. Available in ratings up to 400 amps, they use up to 57 percent less panel space while lowering inventory costs, and reducing installation time and labor by an average of 33 percent.



All blocks are equipped with a fuse clip reinforcing spring to minimize temperature rise while maintaining reliable surface contact between the fuse and clip over the block's service life.

Available as snap-together one-pole units for toolless assembly of multiple poles at point of use or factory configured 2- and 3-pole units to meet popular stocking requirements.

Optional see-through cover enhances safety with IP20 finger-safe protection, lockout/tagout capability and open circuit indication.

DIN-Rail and panel mount versatility allows one product to be used for multiple applications without incurring additional inventory cost.

### Ratings

- Volts
  - 250 V
  - 600 V
- Amps up to 60 A
- SCCR 10 kA RMS Sym.

### Agency information

- Blocks: UL Listed, Guide IZLT, File E14853, CSA Certified 47235 - 6225-01
- Covers: UL Listed, Guide JDVS, File E58836
- RoHS compliant

### Poles

- 1-, 2-, 3-pole
- Single-pole units snap together to create desired number of poles

### Flammability ratings

- Blocks: UL 94V0, self-extinguishing
- Covers: UL 94HB, self-extinguishing

### Operating and storage temperature range

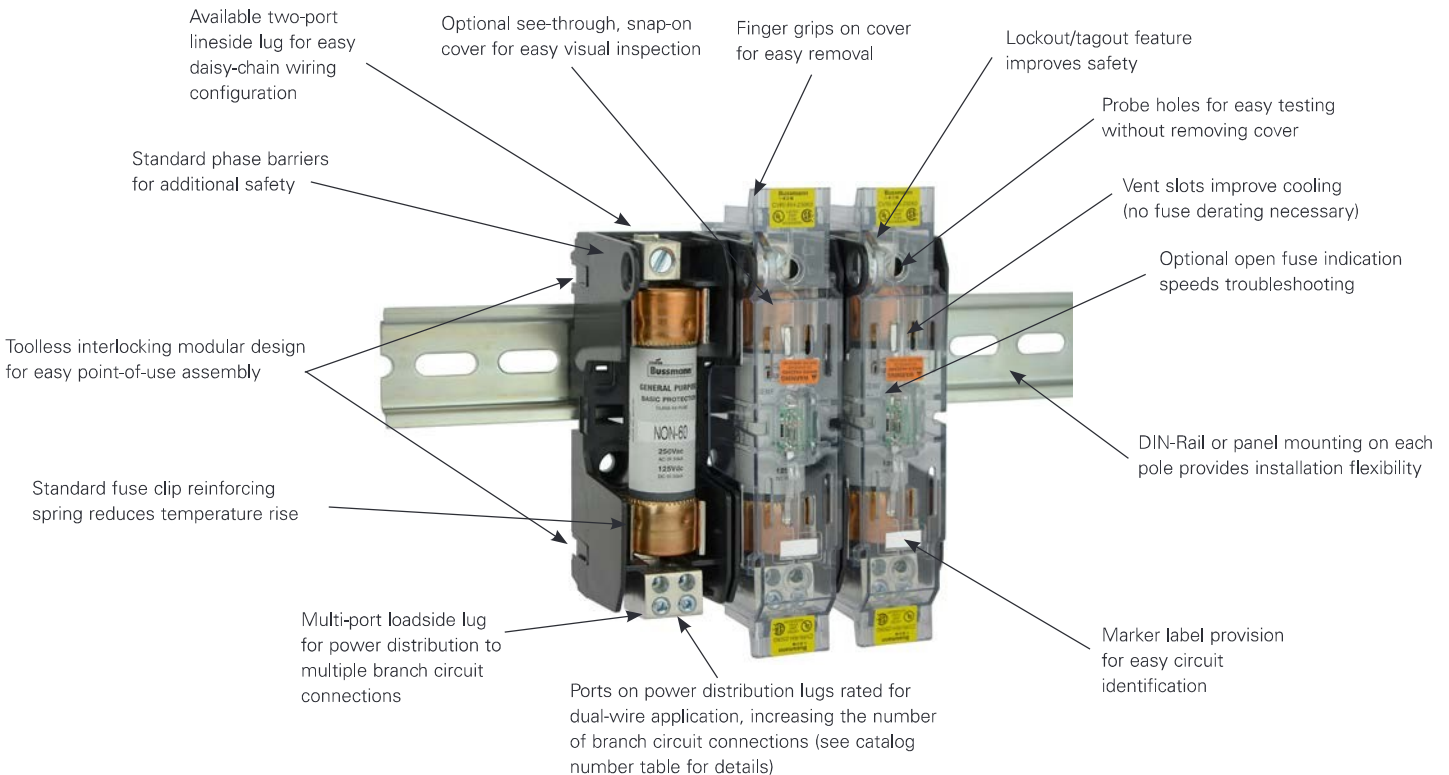
- Blocks: -40°C to +120°C
- Covers: Non-indicating -40°C to +120°C, Indicating -20°C to +90°C

### Conductors

- 75°C Cu/Al (unless otherwise noted)

### Accessories

- Optional IP20 finger-safe covers in indicating and non-indicating versions. Order one for each pole
- DIN-Rail end stops, catalog numbers BRKT-ND or BRKT-NDSCRW2



Data sheet no. 10490

Catalog no.	Optional covers*	Fuse amp range	Lineside (conductors per port)				Loadside (conductors per port)				
			Poles	Conductors	Ports/pole	Torque AWG	N·m (lb·in)	Conductors	Ports/pole	Torque AWG	N·m (lb·in)
<b>250 volt blocks</b>											
HM25060-1MW12			1			2-4	5.6 (50)			2-3	5.6 (50)
HM25060-2MW12	N/A		2	Cu 2-14 Al 2-8	2	6-10	4.5 (40)	Cu 2-14 Al 2-8	1	4-6	5.1 (45)
HM25060-3MW12			3			12-14	1.7 (15)			8	4.5 (40)
										10-14	4.0 (35)
HM25060-1MW14			1			2-3	5.6 (50)			Cu (1) 8	3.4 (30)
HM25060-2MW14	CVR-RH-25060 CVRI-RH-25060**	35-60	2	Cu 2-14 Al 2-8	1	4-6	5.1 (45)	Cu (1) 8-14 Cu (2) 12-14***	4	Cu (1) 10-14	2.8 (25)
HM25060-3MW14			3			8	4.5 (40)	Al (1) 8 Str Al (1) 10 Sol		Cu (2) 12-14	3.4 (30)
						10-14	4.0 (35)			Al (1) 8-10	3.4 (30)
HM25060-1MW24†			1			2-4	5.6 (50)			Cu (1) 8	3.4 (30)
HM25060-2MW24†	N/A		2	Cu 2-14 Al 2-8	2	6-10	4.5 (40)	Cu (1) 8-14 Cu (2) 12-14***	4	Cu (1) 10-14	2.8 (25)
HM25060-3MW24†			3			12-14	1.7 (15)	Al (1) 8 Str Al (1) 10 Sol		Cu (2) 12-14	3.4 (30)
										Al (1) 8-10	3.4 (30)
<b>600 volt blocks</b>											
HM60030-1MW14†			1			2-3	5.6 (50)			Cu (1) 8	3.4 (30)
HM60030-2MW14†	N/A	up to 30	2	Cu 2-14 Al 2-8	1	4-6	5.1 (45)	Cu (1) 8-14 Cu (2) 12-14***	4	Cu (1) 10-14	2.8 (25)
HM60030-3MW14†			3			8	4.5 (40)	Al (1) 8 Str Al (1) 10 Sol		Cu (2) 12-14	3.4 (30)
						10-14	4.0 (35)			Al (1) 8-10	3.4 (30)
HM60060-1MW12			1			2-4	5.6 (50)			2-3	5.6 (50)
HM60060-2MW12			2	Cu 2-14 Al 2-8	2	6-10	4.5 (40)	Cu 2-14 Al 2-8	1	4-6	5.1 (45)
HM60060-3MW12			3			12-14	1.7 (15)			8	4.5 (40)
										10-14	4.0 (35)
HM60060-1MW14			1			2-3	5.6 (50)			Cu (1) 8	3.4 (30)
HM60060-2MW14	CVR-RH-60060 CVRI-RH-60060**	35-60	2	Cu 2-14 Al 2-8	1	4-6	5.1 (45)	Cu (1) 8-14 Cu (2) 12-14***	4	Cu (1) 10-14	2.8 (25)
HM60060-3MW14			3			8	4.5 (40)	Al (1) 8 Str Al (1) 10 Sol		Cu (2) 12-14	3.4 (30)
						10-14	4.0 (35)			Al (1) 8-10	3.4 (30)
HM60060-1MW24†			1			2-4	5.6 (50)			Cu (1) 8	3.4 (30)
HM60060-2MW24†			2	Cu 2-14 Al 2-8	2	6-10	4.5 (40)	Cu (1) 8-14 Cu (2) 12-14***	4	Cu (1) 10-14	2.8 (25)
HM60060-3MW24†			3			12-14	1.7 (15)	Al (1) 8 Str Al (1) 10 Sol		Cu (2) 12-14	3.4 (30)
										Al (1) 8-10	3.4 (30)

\* Order one cover per pole.  
 \*\* With open fuse indication. 90 V minimum and closed circuit required for illumination.  
 \*\*\* Dual wire rated lugs with same wire size and stranding.  
 † Rated for use with 75°C/90°C Cu/Al conductors.

## RM modular 250 V and 600 V Class R power distribution fuse blocks

The patented 30 and 60 amp 250 V and 600 V Class R power distribution fuse blocks use fewer wire connections to reduce watts loss and overall operating temperature of the panel, while simplifying panel layout. Available in ratings up to 400 amps, they use up to 57 percent less panel space while lowering inventory costs, and reducing installation time and labor by an average of 33 percent.

High 200 kA SCCR helps achieve a higher assembly short-circuit current rating (SCCR) for compliance with NEC sections 110.10, 409.110(4), 409.22, 440.4(B), 670.3(A)(4) and 670.5.

All blocks are equipped with a fuse clip reinforcing spring to minimize temperature rise while maintaining reliable surface contact between the fuse and clip over the block's service life.

Available as snap-together one-pole units for toolless assembly of multiple poles at point of use or factory configured 2- and 3-pole units to meet popular stocking requirements.

Optional see-through cover enhances safety with IP20 finger-safe protection, lockout/tagout capability and open circuit indication.

DIN-Rail and panel mount versatility allows one product to be used for multiple applications without incurring additional inventory cost.

### Ratings

- Volts
  - 250 V
  - 600 V
- Amps up to 60 A
- SCCR 200 kA RMS Sym.



### Agency information

- Blocks; UL Listed Guide IZLT, File E14853, CSA Certified 47235 — 6225-01
- Covers; UL Listed Guide JDVS, File E58836
- RoHS compliant

### Poles

- 1-, 2-, 3-pole
- Single-pole units snap together to create desired number of poles

### Flammability ratings

- Blocks: UL 94V0, self-extinguishing
- Covers: UL 94HB, self-extinguishing

### Operating and storage temperature range

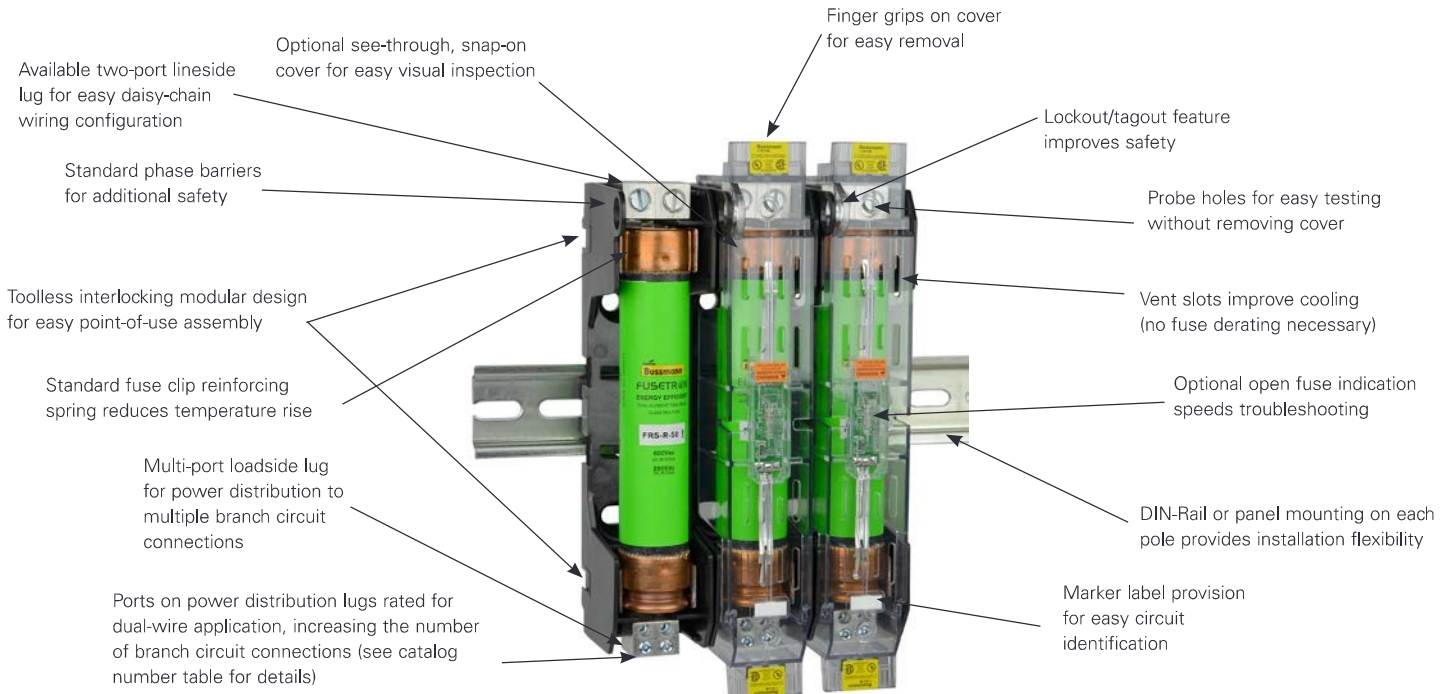
- Blocks: -40°C to +120°C
- Covers; Non-indicating -40°C to +120°C, Indicating -20°C to +90°C

### Conductors

- 75°C Cu/Al (unless otherwise noted)

### Accessories

- Optional IP20 finger-safe covers in indicating and non-indicating versions. Order one for each pole.
- DIN-Rail end stops, catalog numbers BRKT-ND or BRKT-NDSCRW2.



Data sheet no. 10491

Catalog no.	Optional covers*	Fuse amp range	Lineside (conductors per port)				Loadside (conductors per port)				
			Poles	Conductors	Ports/pole	Torque AWG	N·m (lb·in)	Conductors	Ports/pole	Torque AWG	N·m (lb·in)
<b>250 Volts</b>											
RM25060-1MW12			1			2-4	5.6 (50)		2-3	5.6 (50)	
RM25060-2MW12	N/A		2	Cu 2-14 Al 2-8	2	6-10	4.5 (40)	Cu 2-14 Al 2-8	1	4-6 8	5.1 (45) 4.5 (40)
RM25060-3MW12			3			12-14	1.7 (15)			10-14 4.0 (35)	
RM25060-1MW14			1			2-3	5.6 (50)			Cu (1) 8 3.4 (30)	
RM25060-2MW14	CVR-RH-25060 CVRI-RH-25060**	35 - 60	2	Cu 2-14 Al 2-8	1	4-6 8	5.1 (45) 4.5 (40)	Cu (1) 8-14 Cu (2) 12-14*** Al (1) 8 Str Al (1) 10 Sol	4	Cu (1) 10-14 Cu (2) 12-14 Al (1) 8-10	2.8 (25) 3.4 (30) 3.4 (30)
RM25060-3MW14			3			10-14	4.0 (35)			Al (1) 8-10 3.4 (30)	
RM25060-1MW24†			1			2-4	5.6 (50)			Cu (1) 8 3.4 (30)	
RM25060-2MW24†	N/A		2	Cu 2-14 Al 2-8	2	6-10	4.5 (40)	Cu (1) 8-14 Cu (2) 12-14*** Al (1) 8 Str Al (1) 10 Sol	4	Cu (1) 10-14 Cu (2) 12-14	2.8 (25) 3.4 (30)
RM25060-3MW24†			3			12-14	1.7 (15)			Al (1) 8-10 3.4 (30)	
<b>600 Volts</b>											
RM60030-1MW14†			1			2-3	5.6 (50)			Cu (1) 8 3.4 (30)	
RM60030-2MW14†	N/A	up to 30	2	Cu 2-14 Al 2-8	1	4-6 8	5.1 (45) 4.5 (40)	Cu (1) 8-14 Cu (2) 12-14*** Al (1) 8 Str Al (1) 10 Sol	4	Cu (1) 10-14 Cu (2) 12-14 Al (1) 8-10	2.8 (25) 3.4 (30) 3.4 (30)
RM60030-3MW14†			3			10-14	4.0 (35)			Al (1) 8-10 3.4 (30)	
RM60060-1MW12			1			2-4	5.6 (50)			2-3 5.6 (50)	
RM60060-2MW12			2	Cu 2-14 Al 2-8	2	6-10	4.5 (40)	Cu 2-14 Al 2-8	1	4-6 8	5.1 (45) 4.5 (40)
RM60060-3MW12			3			12-14	1.7 (15)			10-14 4.0 (35)	
RM60060-1MW14			1			2-3	5.6 (50)			Cu (1) 8 3.4 (30)	
RM60060-2MW14	CVR-RH-60060 CVRI-RH-60060**	35-60	2	Cu 2-14 Al 2-8	1	4-6 8	5.1 (45) 4.5 (40)	Cu (1) 8-14 Cu (2) 12-14*** Al (1) 8 Str Al (1) 10 Sol	4	Cu (1) 10-14 Cu (2) 12-14 Al (1) 8-10	2.8 (25) 3.4 (30) 3.4 (30)
RM60060-3MW14			3			10-14	4.0 (35)			Al (1) 8-10 3.4 (30)	
RM60060-1MW24†			1			2-4	5.6 (50)			Cu (1) 8 3.4 (30)	
RM60060-2MW24†			2	Cu 2-14 Al 2-8	2	6-10	4.5 (40)	Cu (1) 8-14 Cu (2) 12-14*** Al (1) 8 Str Al (1) 10 Sol	4	Cu (1) 10-14 Cu (2) 12-14	2.8 (25) 3.4 (30)
RM60060-3MW24†			3			12-14	1.7 (15)			Al (1) 8-10 3.4 (30)	

\* Order one cover per pole.  
 \*\* With open fuse indication. 90 V minimum and closed circuit required for illumination.  
 \*\*\* Dual wire rated lugs with same wire size and stranding.  
 † Rated for use with 75°C/90°C Cu/Al conductors.

**CH \_\_ J \_ Class J fuse holder**

The CH\_J\_ Class J fuse holders are available in 30 and 60 amp ratings featuring IP20 finger-safe construction that can be either DIN-Rail or panel mounted. Available as factory configured 1-, 2- or 3-pole holders they are available with optional open fuse indication to speed troubleshooting.



**Ratings**

- Volts 600 V (or less)
- Amps
  - 30 A
  - 60 A
- SCCR 200 kA

**Agency information**

- UL Listed, Guide IZLT, File E14853, UL 4248/CSA 22.2 No. 4248.P, CE

**Conductors**

- Single 1-18 AWG and dual 3-18 AWG Cu solid and stranded conductors

**Terminal torque ratings**

- 10-18 AWG 24 lb-in
- 1-8 AWG 35 lb-in

**Storage and operating temperature range\***

- -20°C to +75°C

\* For fuse selection on applications above or below 25°C, consult derating charts in the Bussmann Division publication no. 3002 "Selecting Protective Devices" (SPD).

**Flammability rating UL 94V0**

**Features**

- Choice of local fuse indication; *easyID*™ viewing window (for seeing indicator on LPJ-SPI indicating fuse) or neon lamp
- Versatile 1-, 2- and 3-pole versions for 0-30 A and 35-60 A fuses with dual wire rated connections simplify wiring
- Improved electrical safety with IP20 finger-safe construction with lock-out/tag-out feature. 3-phase fuse extraction assures all phases are opened for service work
- Flexible panel/35mm DIN-Rail mounting

Dimensions — mm				
Fuse amps	Poles	W	D	H
Up to 30 A	1	32	70	115
	2	64		
	3	96		
35-60 A	1	40	83	125
	2	80		
	3	120		

**Catalog no.**

Without indication*	With indication**	Poles	Amps	Volts (AC/DC)	IP20 finger-safe	AWG Cu wire range	Padlockable	Mounting
CH30J1	CH30J1I	1	30	600	Yes	Single 1-18, dual 3-18	Yes	35mm DIN/ panel
CH30J2	CH30J2I	2						
CH30J3	CH30J3I	3						
CH60J1	CH60J1I	1	60	600	Yes	Single 1-18, dual 3-18	Yes	35mm DIN/ panel
CH60J2	CH60J2I	2						
CH60J3	CH60J3I	3						

\* Local fuse indication 6 amps and above possible using Bussmann series LPJ\_SPI permanent indication fuses.

\*\*Neon indication non-fuse dependent, minimum voltage 90 V.

**Data sheet no. 2144**

## JT(N)60030 and JT(N)60060 Safety J™ modular finger-safe Class J fuse holders

The Bussmann series Safety J™ modular fuse holders are available in indicating and non-indicating versions. Finger-safe construction improves electrical safety, while modular construction permits dovetailing the required number of poles\* at point of use. DIN-Rail mount provides for easy installation. Optional open fuse indication speeds troubleshooting.



\* JT(N)60030 cannot be dovetailed to JT(N)60060.

### Ratings

- Volts 600 Vac
- Amps
  - Up to 30 A (JT(N)60030)
  - 35–60 A (JT(N)60060)
- SCCR
  - 200 kA RMS Sym.
  - 300 kA self certified using Bussmann series LPJ\_SP fuses

### Agency information

- Listed to UL 4248: Guide IZLT, File 14853, CSA Certified: Class 6225-01, File 47235. IP20 per IEC 60529, CE

### Catalog numbers and conductor information

Holder amps	Catalog no.		75°C Cu conductor size (AWG) and type	Terminal torque N·m (lb-in)
	Non-indicating	Indicating*		
30	JT60030	JTN60030	8-18 stranded, single or dual**	2.26 (20)
			10-18 solid, single or dual**	
60	JT60060	JTN60060	4-14 stranded or solid, single	5.1 (45)
			8-10 stranded, dual**	

\* Indication non-fuse dependent, minimum 90 V.

\*\*Dual wire applications must use conductors of the same size and type.

### Dimensions — in (mm)

#### JT60030, JTN60030 Flammability rating: UL 94V0

#### Open fuse indication

Min. voltage: 90 V; neon lamp “ON” when fuse opens, voltage source and current path are present.

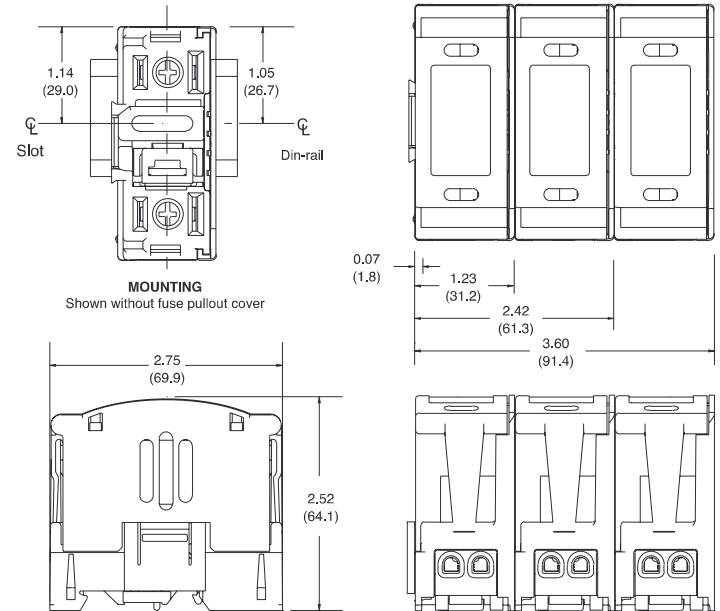
#### Features

- 300 kA SCCR with Bussmann series LPJ\_SP fuses
- Rapid, flexible 35mm DIN-Rail mounting
- One piece interlocking design for assembling multiple pole blocks reduces inventory costs
- Removable fuse carrier allows fuse replacement away from base while maintaining finger-safe rating

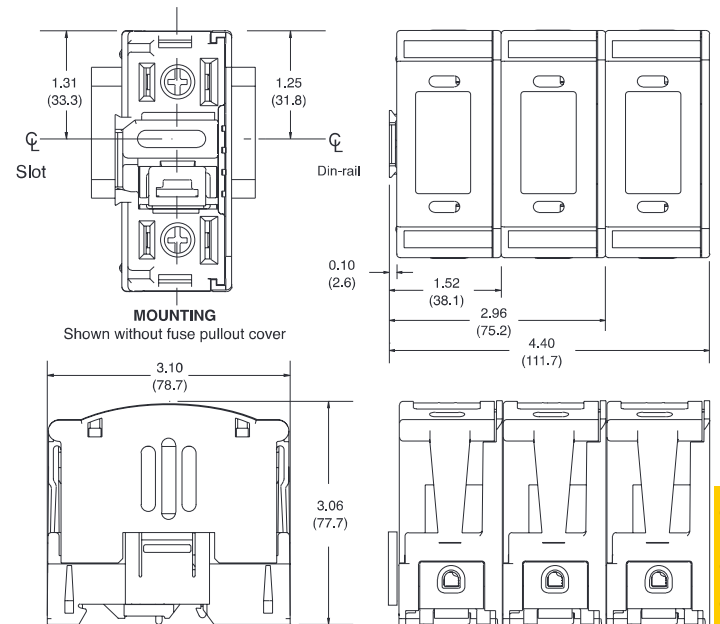
### Typical applications

- Industrial controls
- Process controls
- Small horsepower VFDs

### Dimensions — in (mm)



JT(N)60030



JT(N)60060

### JP pyramid style 3-pole Class J fuse block

The Bussmann series JP (pyramid) open fuse block provides a means of mounting a three-pole 30 amp Class J fuse block with a footprint that is narrower than traditional solutions. See catalog numbers for terminals and conductor information.



#### Ratings

Volts 600 V

Amps 30 A

SCCR 200 kA RMS Sym.

#### Agency information

- UL Listed, UL 4248, Guide IZLT, File E14853, CSA Certified, C22.2 No. 39, Class 4225-04, File 47235, CE

#### Flammability rating UL 94V0

#### Mounting

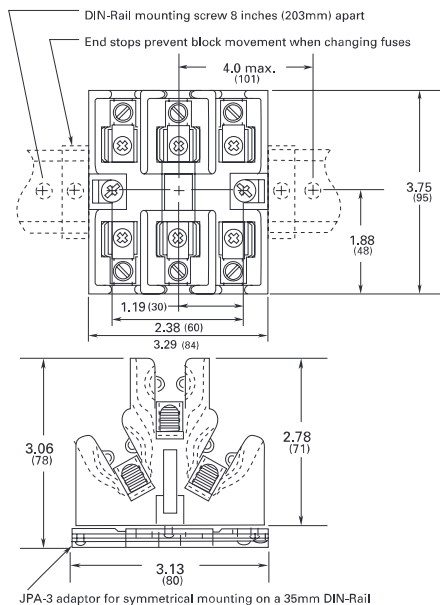
- Panel
- 35mm DIN-Rail\*

\* To order DIN-Rail, specify catalog number DRL35MMLO (1 meter).

Catalog no.	Mounting		Terminals/AWG wire range/ type	
	Panel	DIN-Rail*	Pressure plate	Box lug
JP60030-3PR	Yes	No	10-14 Cu	—
JP60030-3CR	Yes	No	—	2-14 Cu/Al
JP60030-3COR	Yes	No	—	2-14 Cu
JP60030-3PRA	No	Yes	10-14 Cu	—
JP60030-3CRA	No	Yes	—	2-14 Cu/Al
JP60030-3CORA	No	Yes	—	2-14 Cu

\* Requires adapter, order catalog number JPA-3.

#### Dimensions — in



#### Data sheet no. 1108

### JM modular Class J fuse blocks

Class J modular fuse blocks enhance safety for any panel or electrical system design and are available for the full Class J fuse amp range.

All blocks are available as single-pole versions that snap together at point of use, or as factory configured 2-, and 3-pole versions.

All blocks are equipped with a fuse clip reinforcing spring to minimize temperature rise while maintaining reliable surface contact between the fuse and clip over the block's service life.

Ferrule fuse blocks up to 60 amps have the smallest width dimension on the market and feature DIN-Rail or panel mount versatility. Easy circuit identification is available for 30 and 60 amp blocks and covers with universal marker labels.

Knifeblade fuse blocks from 100 to 600 amps feature phase barriers for additional safety with up to four mounting holes per pole for increased installation flexibility. All knifeblade blocks meet UL creep and clearance requirements for Industrial Power Circuits (UL 508 and UL 845). The 200 to 600 amp blocks also meet the higher UL creep and clearance requirements for Power Distribution Standards (UL 98, UL 67, UL 489, UL 891 and UL 869A)

All blocks have optional IP20 finger-safe high clarity, see-through covers for inspecting wire terminations or thermography measurements without removal. All covers enhance safety by featuring probe holes for easier, safer testing and a lockout/tagout capability. These covers also have optional open fuse indication to speed troubleshooting.



30 and 60 amp blocks are DIN-Rail and panel mount. Optional covers increase safety.



100 to 600 amp blocks are panel mount. Optional covers increase safety.

### Ratings

- Volts 600 V
- Amps up to 600 A
- SCCR 200 kA RMS Sym.

### Agency information

- Blocks; UL Listed E14853 — IZLT and IZLT7, CSA Certified 47235-6225-01, CE, RoHS Compliant
- Covers; UL Listed E58836 - JDVS, CSA Certified 47235-6225-01 (30 and 60 A), RoHS Compliant

### Poles

- 1-, 2-, 3-pole units factory assembled
- Single-pole units snap together to create desired number of poles

### Flammability ratings

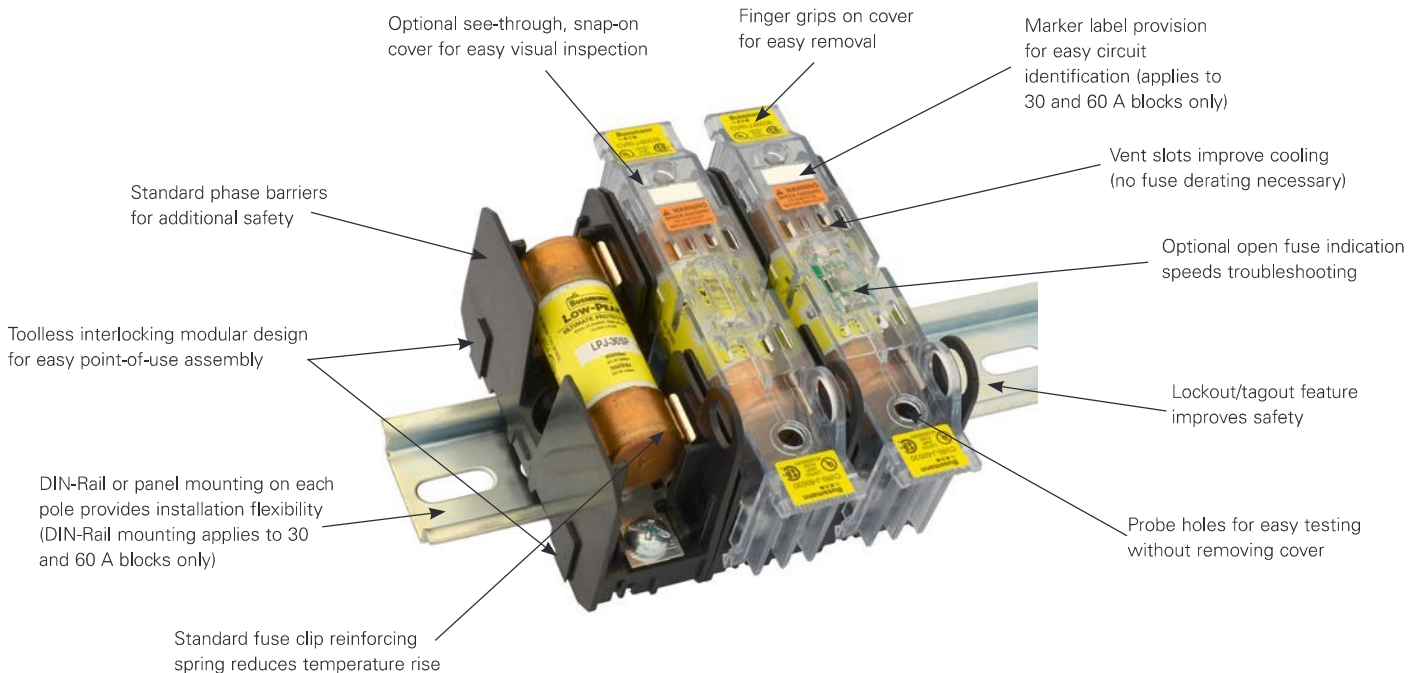
- Blocks: UL 94V0, self-extinguishing
- Covers: UL 94HB, self-extinguishing

### Operating and storage temperature range

- Blocks -40°C to +120°C
  - Covers; non-indicating -40°C to +120°C, indicating -20°C to +90°C\*
- \* Indication requires minimum 90 V and closed circuit to illuminate.

### Conductors

- See catalog numbers for details and torque specifications.



Fuse blocks and holders

**30 and 60 amp blocks and covers**

Fuse amp range	Poles	Catalog no./terminal type				Optional covers*	
		Box lug/slot screw	Box lug/hex screw	10-32 Phil-slot screw	Pressure plate	Indicating**	Non-indicating
up to 30	1	JM60030-1CR	JM60030-1CHR	JM60030-1SR	JM60030-1PR	CVRI-J-60030	CVR-J-60030
	2	JM60030-2CR	JM60030-2CHR	JM60030-2SR	JM60030-2PR		
	3	JM60030-3CR	JM60030-3CHR	JM60030-3SR	JM60030-3PR		
35 to 60	1	JM60060-1CR	JM60060-1CHR	—	—	CVRI-J-60060	CVR-J-60060
	2	JM60060-2CR	JM60060-2CHR	—	—		
	3	JM60060-3CR	JM60060-3CHR	—	—		

\* Covers sold separately, one cover per pole.

\*\* Open fuse indication requires 90 volts minimum and closed circuit to operate.

**30 and 60 amp block terminals and conductors**

Terminal type	AWG type/range	AWG	Torque N·m (lb-in)
Box lug	75°C Cu 2-14, Al 2-8	2-3	5.6 (50)
		4-6	5.1 (45)
		8	4.5 (40)
		10-14	4.0 (35)
10-32 Phil-slot screw	75/90°C Cu 10-18	10-18	2.3 (20)
Pressure plate			

**100 to 600 amp knifeblade blocks and covers**

Fuse amp range	Poles	Catalog no.	Optional covers*		Conductors***		Torque N·m (lb-in)
			Non-indicating	Indicating**	Solid and stranded	Fine stranded	
70-100	1	JM60100-1CR			—	Cu 1-3 AWG	6.2 (55)
	2	JM60100-2CR	CVR-J-60100-M	CVRI-J-60100-M	1/0-3 AWG; (2) Cu 4-6 AWG	Cu 4-6 AWG	5.6 (50)
					2 4-6 AWG; (2) Cu 8 AWG	Cu 8 AWG	5.1 (45)
3	JM60100-3CR			8 AWG; (2) Cu 10-14 AWG	—	4.5 (40)	
110-200	1	JM60200-1CR			Cu 10-14 AWG; Al 10-12 AWG	—	4.0 (35)
	2	JM60200-2CR	CVR-J-60200-M	CVRI-J-60200-M	250kcmil-1 AWG	Cu 3/0-1 AWG	42 (375)
	3	JM60200-3CR			2-6 AWG; (2) Cu 2-6 AWG	Cu 2-6 AWG	31 (275)
225-400	1	JM60400-1CR			600kcmil		57 (500)
	2	JM60400-2CR			500kcmil-4 AWG		51 (450)
	3	JM60400-3CR					
	1	JM60400-1MW22	CVR-J-60400-M	CVRI-J-60400-M	(2) Cu 3/0 - 4 AWG	N/A	57 (500)
	2	JM60400-2MW22					
450-600	3	JM60400-3MW22			(2) Al 3/0 - 4 AWG		34 (300)
	1	JM60600-1CR					
	2	JM60600-2CR	CVR-J-60600	CVRI-J-60600	2 (2) 500kcmil-4 AWG	N/A	51 (450)
	3	JM60600-3CR					

\* Covers sold separately.

\*\* Open fuse indication requires 90 volts minimum and closed circuit to operate.

\*\*\* Ratings for copper and aluminum conductors except where otherwise noted.

## JM modular Class J power distribution fuse blocks

The patented Class J power distribution fuse blocks use fewer wire connections to reduce watts loss and overall operating temperature of the panel, while simplifying panel layout. Available in ratings up to 400 amps, they use up to 65 percent less panel space while lowering inventory costs, and reducing installation time and labor by an average of 33 percent.

All blocks are equipped with a fuse clip reinforcing spring to minimize temperature rise while maintaining reliable surface contact between the fuse and clip over the block's service life.

Available as snap-together one-pole units for toolless assembly of multiple poles at point of use or factory configured 2- and 3-pole units to meet popular stocking requirements.

The high 200 kA SCCR helps achieve a higher assembly short-circuit current rating (SCCR) for compliance with NEC sections 110.10, 409.110(4), 409.22, 440.4(B), 670.3(A)(4) and 670.5.

30 and 60 amp blocks feature DIN-Rail and panel mount versatility, while 100 to 400 amp blocks are panel mount.

All blocks are available with optional see-through cover to enhance safety with IP20 finger-safe protection, lockout/tagout capability and open circuit indication. See catalog number tables for details.

### Ratings

- Volts 600 V
- Amps up to 400 A
- SCCR 200 kA Sym. RMS



30 and 60 amp blocks.



100, 200 and 400 amp blocks.



### Agency information

- Blocks; UL Listed, Guide IZLT, File E14853, CSA Certified 47235 — 6225-01
- Covers; UL Listed, Guide JDVS, File E58836
- RoHS compliant

### Poles

- 1-, 2-, 3-pole
- Single-pole units snap together to create desired number of poles

### Mounting

- 30 and 60 amp blocks DIN-Rail and panel mount
- 100, 200 and 400 amp blocks panel mount only

### Flammability ratings

- Blocks, UL 94V0, self-extinguishing
- Covers; UL 94HB, self-extinguishing

### Operating and storage temperature range

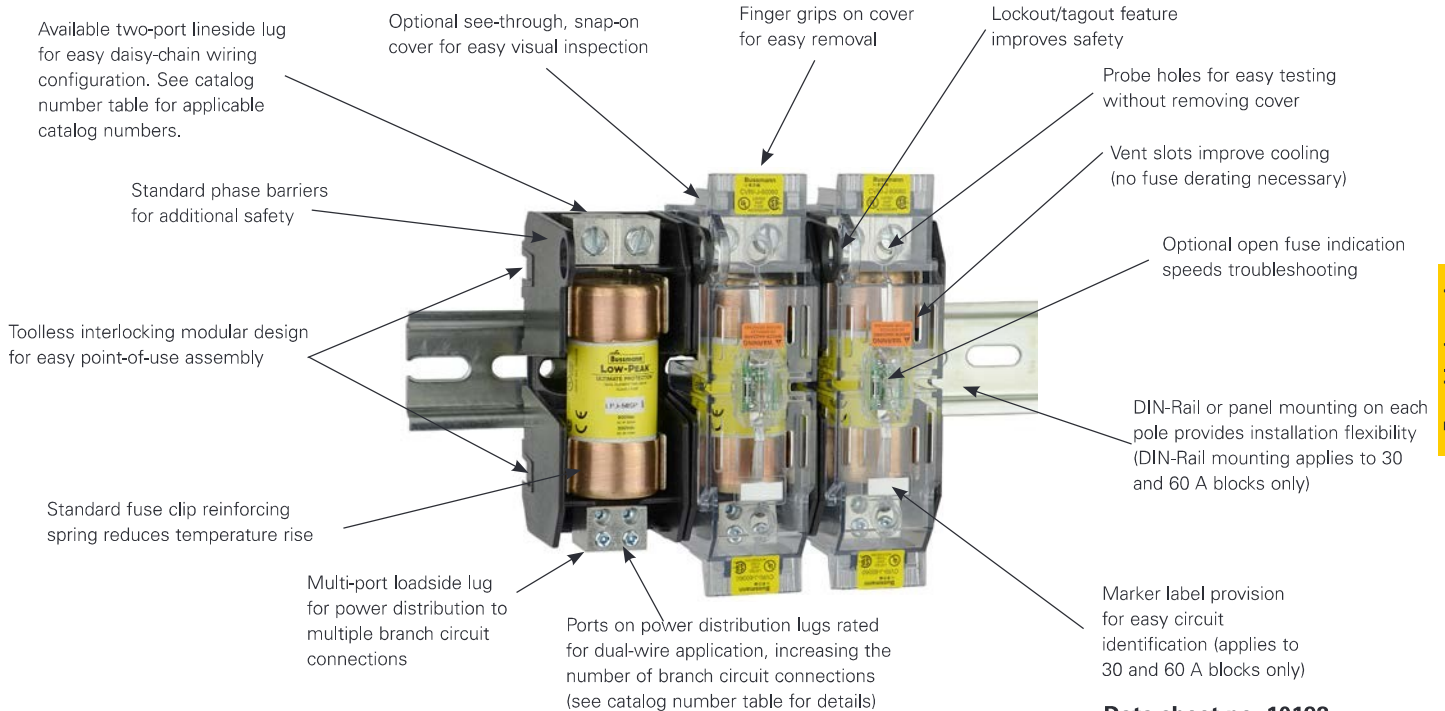
- Blocks, -40°C to +120°C
- Covers; non-indicating -40°C to +120°C, indicating -20°C to +90°C

### Conductors

- 75/90°C Cu/Al (unless otherwise noted)

### Accessories

- IP20 finger-safe covers in indicating and non-indicating versions. Order one for each pole.
- DIN-Rail end stops for blocks rated up to 60 amps, catalog numbers BRKT-ND or BRKT-NDSCRW2



Data sheet no. 10192

Catalog no.	Optional covers*	Fuse amp range	Lineside (conductors per port)				Loadside (conductors per port)					
			Poles	Conductors	Ports/pole	Torque AWG	N-m (lb-in)	Conductors	Ports/pole	Torque AWG	N-m (lb-in)	
JM60030-1MW14			1			2-3	5.6 (50)				Cu (1) 8	3.4 (30)
JM60030-2MW14	N/A	Up to 30	2	Cu 2-14 Al 2-8	1	4-6	5.1 (45)	Cu (1) 8-14 Cu (2) 12-14***	4		Cu (1) 10-14	2.8 (25)
JM60030-3MW14			3			8	4.5 (40)	Al (1) 8 Str Al (1) 10 Sol			Cu (2) 12-14	3.4 (30)
						10-14	4.0 (35)				Al (1) 8-10	3.4 (30)
JM60060-1MW12†			1			2-4	5.6 (50)				2-3	5.6 (50)
JM60060-2MW12†			2	Cu 2-14 Al 2-8	2	6-10	4.5 (40)	Cu 2-14 Al 2-8	1		4-6	5.1 (45)
JM60060-3MW12†			3			12-14	1.7 (15)				8	4.5 (40)
											10-14	4.0 (35)
JM60060-1MW14†			1			2-3	5.6 (50)				Cu (1) 8	3.4 (30)
JM60060-2MW14†	CVR-J-60060 CVRI-J-60060**	35 - 60	2	Cu 2-14 Al 2-8	1	4-6	5.1 (45)	Cu (1) 8-14 Cu (2) 12-14***	4		Cu (1) 10-14	2.8 (25)
JM60060-3MW14†			3			8	4.5 (40)	Al (1) 8 Str Al (1) 10 Sol			Cu (2) 12-14	3.4 (30)
						10-14	4.0 (35)				Al (1) 8-10	3.4 (30)
JM60060-1MW24			1			2-4	5.6 (50)				Cu (1) 8	3.4 (30)
JM60060-2MW24			2	Cu 2-14 Al 2-8	2	6-10	4.5 (40)	Cu (1) 8-14 Cu (2) 12-14***	4		Cu (1) 10-14	2.8 (25)
JM60060-3MW24			3			12-14	1.7 (15)	Al (1) 8 Str Al (1) 10 Sol			Cu (2) 12-14	3.4 (30)
											Al (1) 8-10	3.4 (30)
JM60100-1MW14			1			1/0-3; Cu (2) 4-6	5.6 (50)				4-6	4.0 (35)
JM60100-2MW14	CVR-J-60100-M CVRI-J-60100-M**	70 - 100	2	Cu 1/0-14 Al 1/0-12	1	4-6; Cu (2) 8	5.0 (45)	Cu (1) 4-14 Al (1) 4-8	4		8	2.8 (25)
JM60100-3MW14			3			8; Cu (2) 10-14	4.5 (40)	Cu (2) 10-14***			Cu 10-14	2.3 (20)
						10-14	4.0 (35)				(2) 10-14	3.4 (30)
JM60200-1MW16			1								4-6	4.0 (35)
JM60200-2MW16	CVR-J-60200-M CVRI-J-60200-M**	110-200	2	Cu/Al (1) 250kcmil-6 Cu (2) 2-6	1	250kcmil-1	42 (375)	Cu (1) 4-14 Al (1) 4-8	6		8	2.8 (25)
JM60200-3MW16			3			2-6	31 (275)	Cu (2) 10-14***			10-14	2.3 (20)
											(2) 10-14	3.4 (30)
JM60400-1MW16			1			600kcmil	57 (500)				2-3	5.6 (50)
JM60400-2MW16			2								4-6	5.0 (45)
				Cu/Al (1) 600kcmil-4 Cu/Al (2) 3/0-4	1	500kcmil-4	51 (450)	Cu (1) 2-14 Al (1) 2-8	6		8	4.5 (40)
JM60400-3MW16			3					Cu (2) 8-14***			(2) 8	4.5 (40)
						Cu (2) 3/0-4 Al (2) 3/0-4	57 (500)				10-14	4.0 (35)
	CVR-J-60400-M CVRI-J-60400-M**	225-400					34 (300)				(2) 10-14	4.5 (40)
JM60400-1MW26			1								2-3	5.6 (50)
JM60400-2MW26			2								4-6	5.0 (45)
						350kcmil-1	42 (375)	Cu (1) 2-14 Al (1) 2-8	6		8	4.5 (40)
JM60400-3MW26			3	Cu/Al 350kcmil-6	2			Cu (2) 8-14***			(2) 8	4.5 (40)
						2-6	31 (275)				10-14	4.0 (35)
											(2) 10-14	4.5 (40)

\* Order one cover per pole.  
 \*\* With open fuse indication. 90 V minimum and closed circuit required for illumination.  
 \*\*\* Dual wire rated lugs with same wire size and stranding.  
 † Rated for 75°C Cu/Al conductors. Conductors with higher ratings may be used with appropriate derating.

### T300 300 volt Class T fuse blocks

Bussmann series T300 fuse blocks are open fuse blocks for use with Class T fuses up to 600 amps in various pole configurations from 1- to 4-poles. T300 blocks use Bussmann series JJN fuses.

#### Ratings

- Volts 300 V
- Amps up to 600 A
- SCCR 200 kA RMS Sym.

#### Agency information

- UL Listed UL 4248, Guide IZLT, File E14853, CSA Certified, Class 6225-01, File 47235, CE

#### Flammability rating UL 94V0

#### Features

- Provide 1-, 2-, 3- and 4-pole housing for 300 Vac Class T fuses
- High 200 kA RMS Sym. Short-Circuit Current Rating
- Class T fuse blocks have a small foot print, providing substantial space savings in equipment

#### Typical applications

- 300 V or less control systems
- 300 V or less individual control circuits

Catalog numbers

Catalog no./terminals		Amps	Poles	Fig.	Terminal AWG wire range/type
Screw	Box lug				
T30030-2SR	T30030-2CR	Up to 30	2	1	SR 10-18 Cu CR 6-14 Cu/Al
T30030-3SR	T30030-3CR		3		
T30030-4SR	T30030-4CR		4		
T30060-2SR	T30060-2CR	31-60	2	1	CR 2-14 Cu/Al SR 10-18 Cu
T30060-3SR	T30060-3CR		3		
T30060-4SR	T30060-4CR		4		
—	T30100-1CR	61-100	1	2	1/0-8 Cu/Al
—	T30100-2CR		2		
—	T30100-3CR		3		
—	T30200-1C	101-200	1	3	250kcmil-6 Cu/Al
—	T30200-3C		3		
—	T30400-1C	201-400	1	5	600kcmil-2/0 Cu/Al
—	T30600-1C		1		



#### Dimensions — in

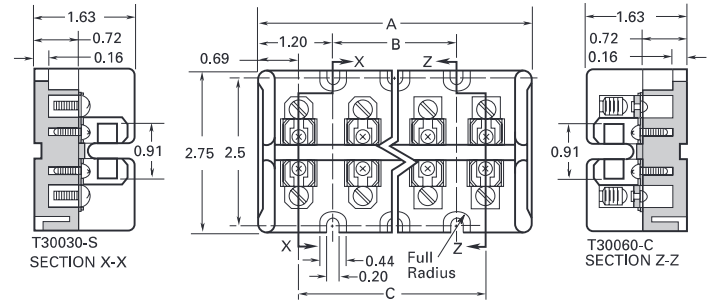


Figure 1. Up to 60 A

Catalog no.	Dimensions — in		
	A	B	C
T30030-2	2.41	—	1.03
T30060-2	2.41	—	1.03
T30030-3	3.44	1.03	2.06
T30060-3	3.44	1.03	2.06
T30030-4	4.47	2.06	3.09
T30060-4	4.47	2.06	3.09

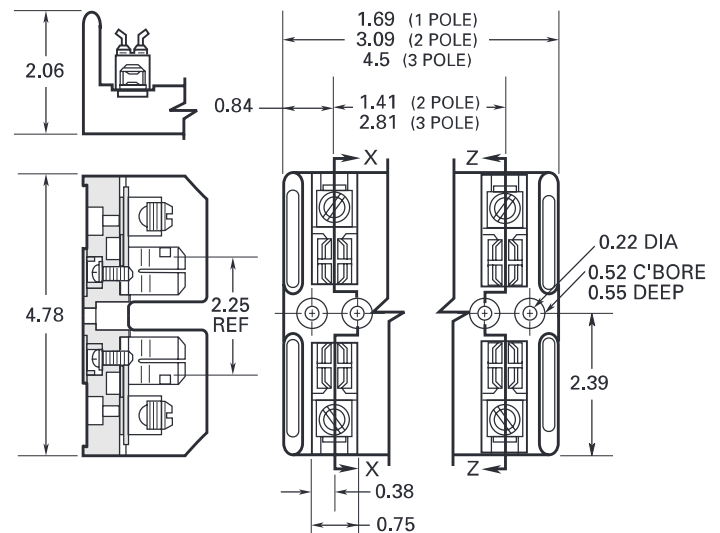


Figure 2. 61 to 100 A

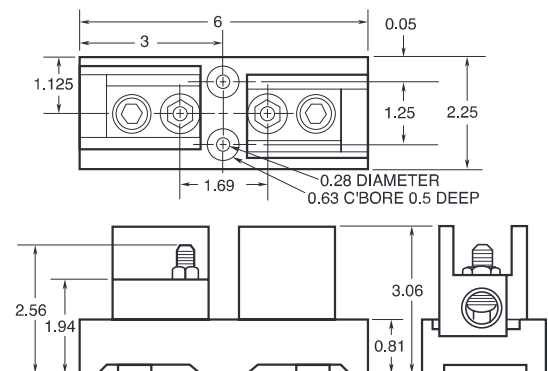


Figure 3. 101 to 200 A

Fuse blocks and holders

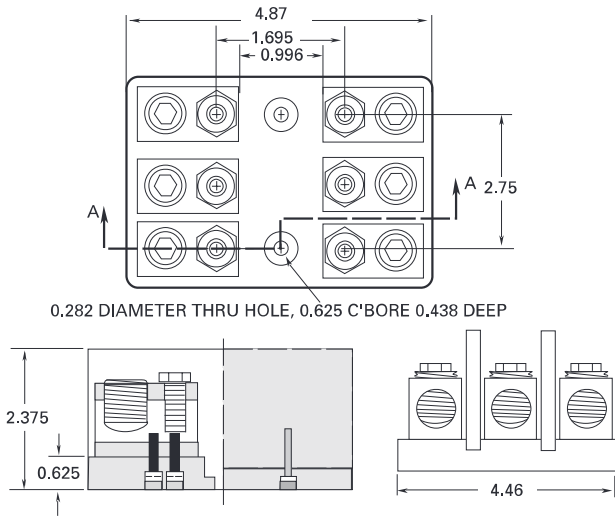


Figure 4. 200 A

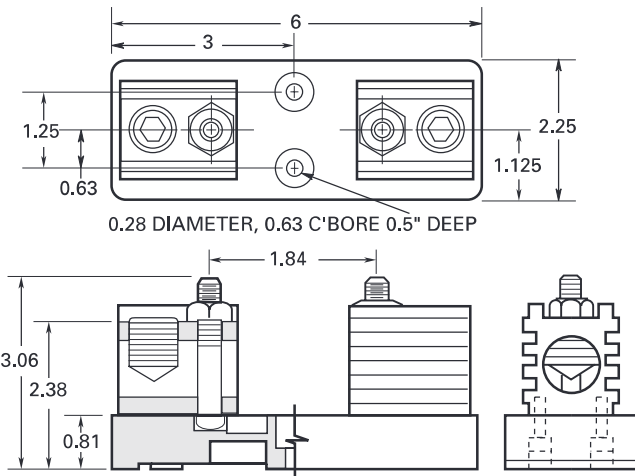


Figure 5. 201 to 400 A

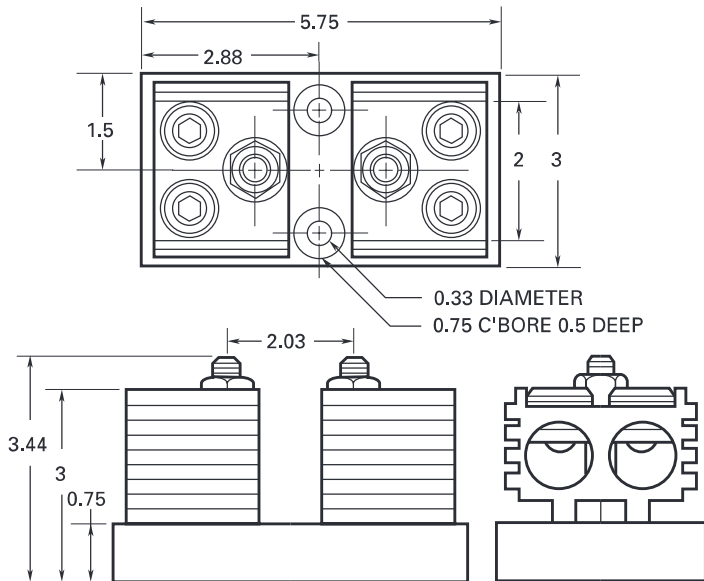


Figure 6. 401 to 600 A

Data sheet no. 1115

### T600 600 volt Class T fuse blocks

Bussmann series T600 fuse blocks are open fuse blocks for use with Class T fuses up to 600 amps in various pole configurations from 1- to 3-poles. T600 blocks use Bussmann series JJS fuses.



#### Ratings

- Volts 600 V
- Amps up to 600 A
- SCCR 200 kA RMS Sym.

#### Agency information

- UL Listed, UL 4248, Guide IZLT, File E14853, CSA Certified, Class 6225-01, File 47235, CE

#### Flammability rating UL 94V0

#### Features

- Provide 1-, 2- and 3-pole housing for 600 Vac Class T fuses.
- High 200 kA RMS Sym. Short-Circuit Current Ratings
- Class T fuse blocks have a small foot print, providing substantial space savings in equipment

#### Typical applications

- 600 V or less control systems
- 600 V or less individual control circuits

Catalog no./terminals		Amps	Poles	Fig.	Terminal AWG range/type
Screw	Box lug				
T60030-1SR	T60030-1CR	Up to 30	1	1	SR 10-18 Cu CR 2-14 Cu/Al
T60030-2SR	T60030-2CR		2		
T60030-3SR	T60030-3CR		3		
T60060-1SR	T60060-1CR	31-60	1	2	SR 10-18 Cu CR 2-14 Cu/Al
T60060-2SR	T60060-2CR		2		
T60060-3SR	T60060-3CR		3		
—	T60100-1C	61-100	1	3	2/0-14 Cu/Al
—	T60100-2C		2		
—	T60100-3C		3		
—	T60200-1C	101-200	1	4	250kcmil-6 Cu/Al
—	1B0089*		3	5	
—	T60400-1C	201-400	1	6	600kcmil-2/0 Cu/Al
—	T60600-1C	401-600	1	7	(2) 600kcmil-4/0 Cu/Al

\* UL Listed, Guide IZLT, File E14853, CSA Certified Class 6225-01, File 21455M18.

#### Dimensions — in

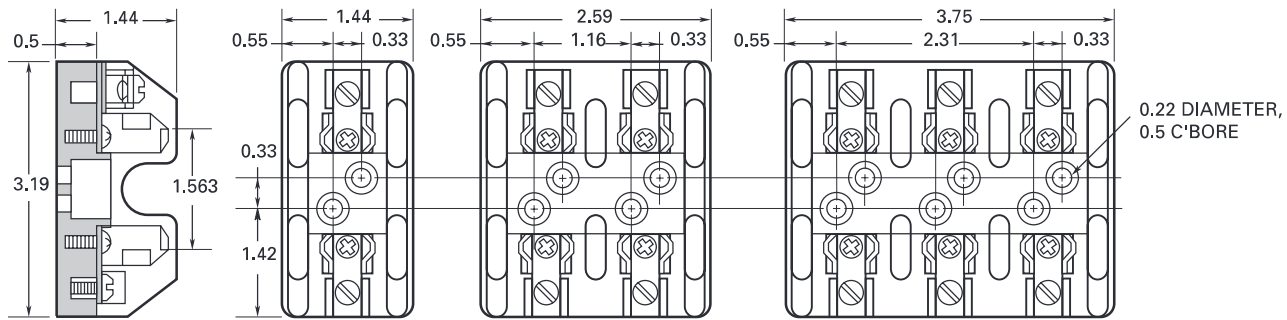


Figure 1. Up to 30 A

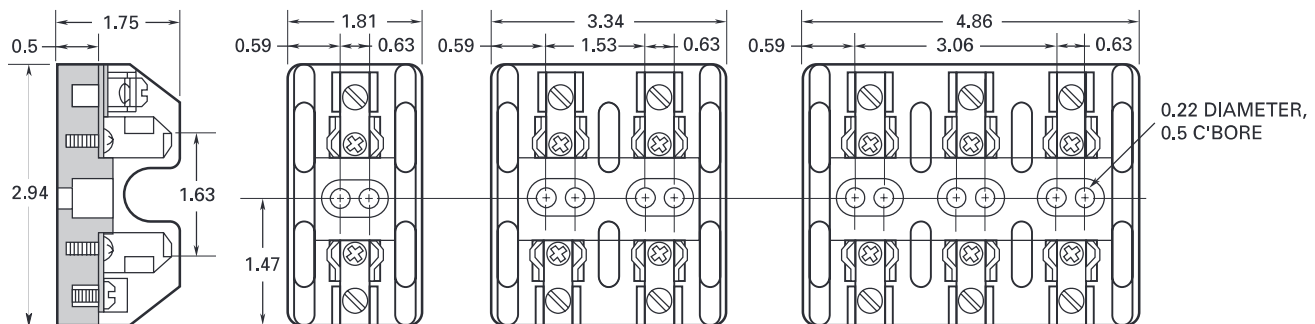


Figure 2. 31 to 60 A

Dimensions — in

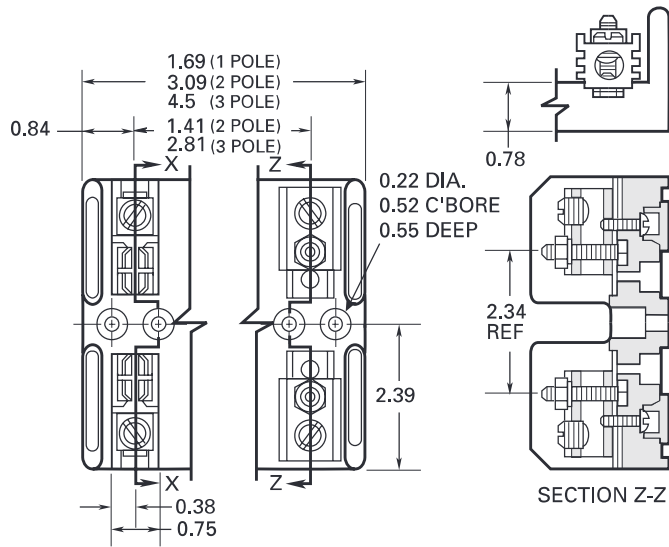


Figure 3. 61 to 100 A

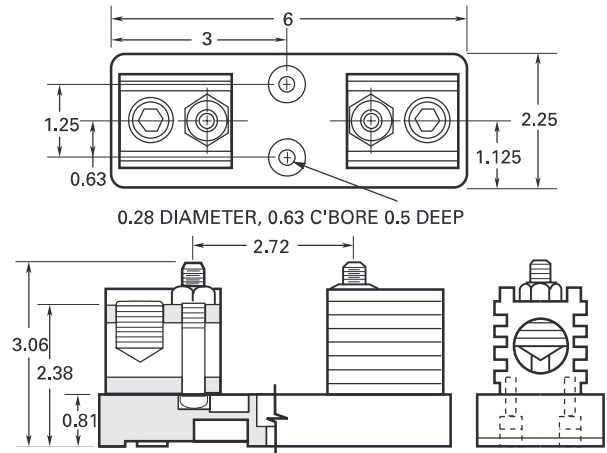


Figure 6. 201 to 400 A

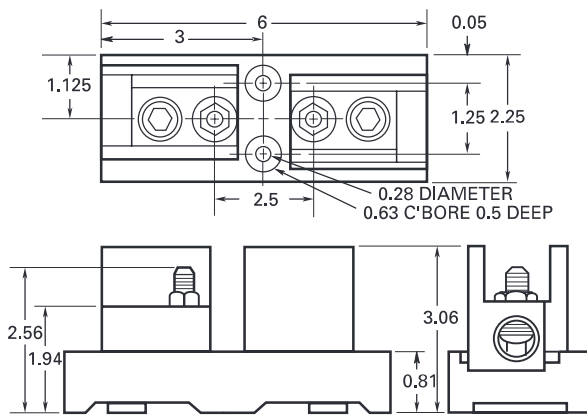


Figure 4. 101 to 200 A (T60200-1C)

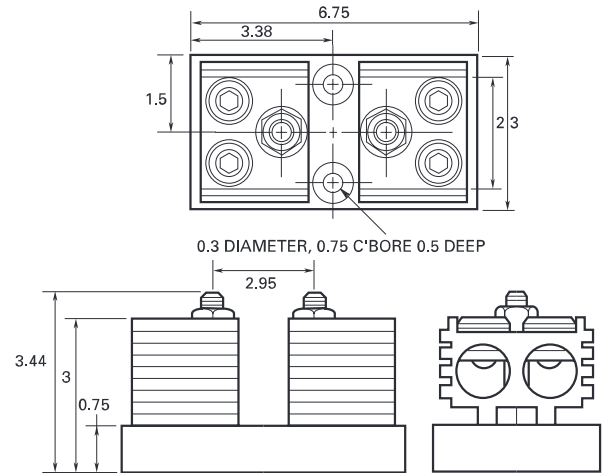


Figure 7. 401 to 600 A

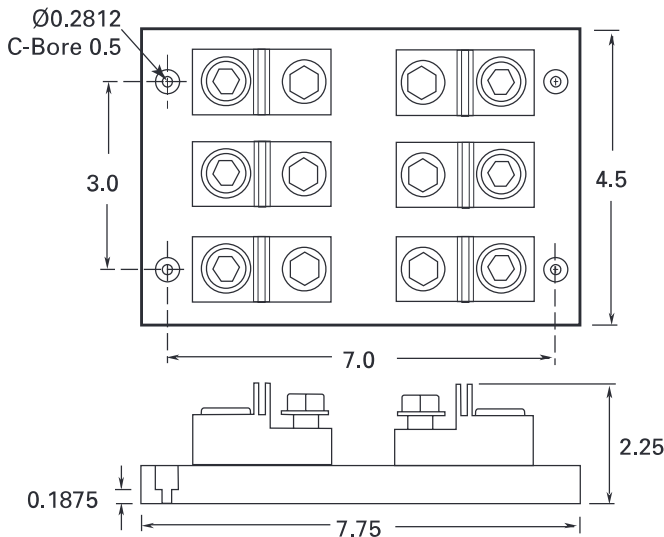


Figure 5. 101 to 200 A (1B0089)

Data sheet no. 1116

## Modular open-center fuse blocks



### BH modular type

BH modular fuse blocks are for use with various blade and ferrule (cylindrical) Bussmann series high speed, and Class J and T fuses.

See the data sheets referenced in the catalog number table for block/fuse compatibility.

### Ratings

- Volts 700 V
- Amps
  - BH-0xxx 100 A
  - BH-1xxx and BH-2xxx 400 A
  - BH-3xxx 700 A
- SCCR 200 kA RMS Sym. or fuse IR, whichever is lower

### Agency information

- UL Recognized, Guide EZLT2, File No. E14853 up to 700 V, CSA Certified, Class 6225-01, File No. 47235 up to 700 V, RoHS compliant, CE

### Features

- A wide range of mounting configurations
- High Short-Circuit Current Rating (SCCR) based upon installed fuse up to 200 kA RMS Sym.

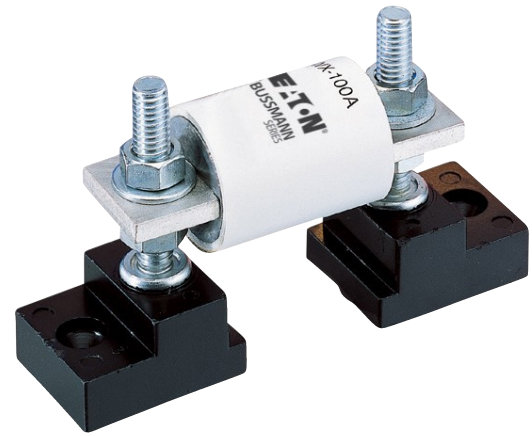
### Typical applications

- Solid state control circuits
- VFDs
- UPS systems

Refer to the data sheet numbers below for the catalog code description information.

Cat no.	Data sheet	Cat no.	Data sheet	Cat no.	Data sheet	Cat no.	Data sheet
BH-0001		BH-1001		BH-2001		BH-3003	
BH-0002		BH-1002		BH-2002		BH-3004	
BH-0003		BH-1003		BH-2003		BH-3033	
BH-0111	1200	BH-1131	1201	BH-2031	1202	BH-3144	1203
BH-0112		BH-1132		BH-2032		BH-3145	
BH-0113		BH-1133		BH-2033			
BH-0121							
BH-0122							

Data sheet no. 1200 (BH-0), 1201 (BH-1), 1202 (BH-2), 1203 (BH-3)



### C5268 stud type

The simpler design is the C5268 modular fuse block. With this design, the fuse terminal and cable (with termination) are mounted on the same stud, minimizing labor needed for installation. The stud type block is available in the configurations shown in the table below.

Catalog no.	Max fuse amp rating	Stud
C5268-1		5/16-18 x 1"
C5268-2	200	5/16-18 x 1-3/4"
C5268-3		5/16-18 x 3/4"
C5268-4	100	1/4-20 x 1"
C5268-5		1/4-20 x 1-3/4"



### 1BS10x connector type

Eaton's Bussmann series also offers a modular style fuse block that utilizes a tin-plated connector for wire termination and heat dissipation) with a plated-steel stud for fuse mounting. The connector type fuse block is available in the RoHS compliant configurations shown below. Consult your Bussmann series product representative for additional product details.

Catalog no.	Max rated voltage	Max fuse amp rating
1BS101		100
1BS102		100
1BS103	600	400
1BS104		600

Data sheet no. 1206 (1BS101), 1207 (1BS102), 1208 (1BS103), 1209 (1BS104)

**SD and TD blocks for NH size fuses**

1-pole SD and 3-pole TD fuse blocks for NH fuse sizes 00 to 4 are specifically designed for use with Bussmann series bladed NH fuses. See data sheet 720109 (690 V gG/gL) and 10164 (500 V gG/gL).

For NH 1 to 3 photovoltaic fuse applications, see the single-pole SD-PV blocks in the PV fuse section.



Shown with optional shroud kit



**Ratings**

- Volts
  - 690 Vac
  - 1000 Vac (Sd1-D only)
- Amps 160 to 1600 A
- SCCR up to 120 kA

**Agency information**

- IEC 60269-1 and 2
- VDE 0636-1 and 2
- RoHS compliant

**Poles**

- 1 and 3

**Protection level**

- IEC - IP20 with shroud kit installed and shielding of any exposed terminal lugs
- UL - Installation of shroud kit decreases the likelihood of incidental terminal contact. To ensure compliance to IP20 specifications per UL the installer must make additional provisions.

**Temperature range**

- Operating -20°C to +70°C
- Storage -40°C to +80°C

**Mounting**

- 35mm DIN-Rail
- Panel

Data sheet no. 10163

**Flammability rating**

- UL 94V0

Catalog no.	Poles	Description	NH fuse size	Amps
SD00-D	1			
TD00-D	3		000 and 00	160
TD00-DI*				
SD1-D	1		1	250
TD1-D	3			
SD2-D	1	NH fuse block	2	400
TD2-D	3			
SD3-D	1		3	630
TD3-D	3			
SD4-D	1		4	1250
SD4-S1600**				1600

\* 3-pole integral base molding.  
\*\* Panel mount only.

**Accessories**

**Fuse extraction handle**

Catalog no.	Size	Amps
FEH	NH00 to 3	160 to 630

**Shroud kits**

Catalog no.†	Fuse block	Fuse size	Amps	Description
SD12-SK	SD1/TD1	NH1	250	Includes 2 shrouds and 1 fuse cover
SD12-SK	SD2/TD2	NH2	400	
SD3-SK	SD3/TD3	NH3	630	

† Order one kit per pole.

**Phase barrier kits**

Catalog no.††	Fuse block	Fuse size	Amps	Description
SD00-PB	SD00/TD00	NH00	160	2 phase barriers and 2 ganging links
SD12-PB	SD1/TD1	NH1	250	
SD12-PB	SD2/TD2	NH2	400	
SD3-PB	SD3/TD3	NH3	630	

†† Order one kit per 3-pole assembly.

**Microswitches**

Catalog no.	Ratings
BVL50	6 A 250 Vac
170H0236	2 A 250 Vac
170H0238	2 A 250 Vac

**Neutral links**

Catalog no.	Fuse size	Amps
SDL-00	NH00	160
SDL-1	NH1	250
SDL-2	NH2	400
SDL-3	NH3	630

### HTB panel mount fuse holders for 5x20mm and 1/4" x 1-1/4" fuses

Panel mount holders with knob-type and screwdriver-type carriers made from high temperature, flame retardant thermoplastic (UL 94V0) and tin-plated brass quick-connect terminals.

#### Ratings\*

Volts 250 V

Amps 20 A max\*

- Insulation resistance (per IEC #257) 10,000 ohms @ 500 Vdc
- Contact resistance (per IEC #257) 0.005 ohms max @ 1 A
- Standoff voltage (per IEC #257) 480 V/Mil @ 0.125" thickness

\* See data sheet 2119 for ratings by holder configuration.



#### Agency information

- UL Recognized, Guide IZLT2, File E14853, 1/4" dia. fuse @ 20 A, 5mm dia. fuse @ 16 A @ 250 V, CSA Class 6225-01 File 47235 @ 16 A @ 250 V, VDE Certified, 136128, HTB-XXM, SEMKO Certification, Ref. 0146149/01, HTB-XXM, RoHS compliant, CE

#### Operating temperature range

- -55°C to +85°C

#### Mounting

- Rear hex nut; HTB-2\_, HTB3\_, HTB-4\_, HTB-5\_
- Front hex nut; HTB-6\_
- Snap-in; HTB-8\_, HTB-9\_

#### Splash-proof versions

- Splash-proof versions available by adding "-SP" suffix to the catalog number.

#### Catalog numbers and dimensions — in (mm)

Holder dimensions	Max panel thickness — in (mm)	Solder / 3/16" QC terminal		1/4" QC terminal		Fuse carrier*	
		In-line	Rt. angle	In-line	Rt. angle	1/4" I = inches	5mm M = metric
<b>Knob-type carrier — common length 1.69 (43)</b>							
	0.3 (8)	HTB-22I-R	HTB-24I-R	HTB-26I-R	HTB-28I-R	X	
		HTB-22M-R	HTB-24M-R	HTB-26M-R	HTB-28M-R		X
	0.125 (3)	HTB-42I-R	HTB-44I-R	HTB-46I-R	HTB-48I-R	X	
		HTB-42M-R	HTB-44M-R	HTB-46M-R	HTB-48M-R		X
	0.125 (3)	HTB-82I-R	HTB-84I-R	HTB-86I-R	HTB-88I-R	X	
		HTB-82M-R	HTB-84M-R	HTB-86M-R	HTB-88M-R		X
<b>Screwdriver-type carrier — common length 1.75 (45)</b>							
	0.3 (8)	HTB-32I-R	HTB-34I-R	HTB-36I-R	HTB-38I-R	X	
		HTB-32M-R	HTB-34M-R	HTB-36M-R	HTB-38M-R		X
	0.125 (3)	HTB-52I-R	HTB-54I-R	HTB-56I-R	HTB-58I-R	X	
		HTB-52M-R	HTB-54M-R	HTB-56M-R	HTB-58M-R		X
	0.125 (3)	HTB-92I-R	HTB-94I-R	HTB-96I-R	HTB-98I-R	X	
		HTB-92M-R	HTB-94M-R	HTB-96M-R	HTB-98M-R		X

\* Fuse carriers may be ordered separately. Specify "FT" for knob-type or "ST" for screwdriver type, followed by "-I" for 1/4" fuses and "-M" for 5mm fuses.

**HJL panel mount neon lamp indicating holder for 1/4" x 1" fuses**

**Ratings**

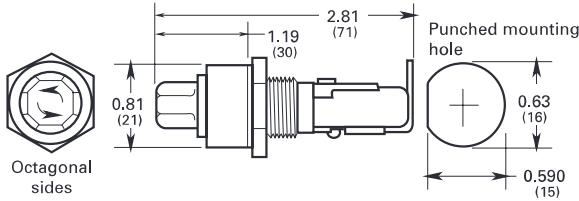
- Volts 250 V
- Amps 15 A



Catalog no.*	Volts	Lamp color	Knob type
HJL	90 to 250	Clear	Octagonal

\* Use with AGX, MKB, TCP70 and TDC fuses, for panels up to 1/8" thick.

**Dimensions — in (mm)**



Data sheet no. 2121

**HK panel mount neon and incandescent lamp indicating holders for 1/4" x 1" fuses**

**Ratings**

- Volts 250 V
- Amps
  - 15 A (HKL, HKL-X)
  - 20 A (HKR, HKT, HKU, HKX)



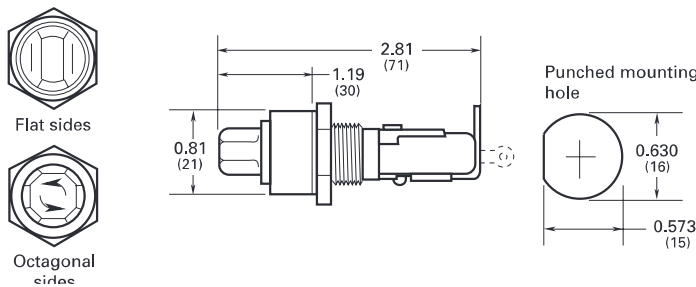
**Agency information**

- UL Recognized, Guide IZLT2, File E14853), CSA Certified Class 6225-01, File 47235, CE

Catalog no.	Lamp volts	Knob color/type
HKL*	90-250	Clear/octagonal
HKL-X*	90-250	Clear/flat side
HKR**	22-30	Amber/octagonal
HKT**	13-22	Amber/octagonal
HKU**	4-6	Red/octagonal
HKX**	22-33	Amber/flat side

\* Neon lamp UL Recognized and CSA Certified.  
\*\* Incandescent lamp.

**Dimensions — in (mm)**



Data sheet no. 2105

**HKP panel mount holders for 1/4" x 1-1/4" fuses**

Vibration resistant bayonet-type knob holders for panels up to 5/16" thick.

**Ratings**

- Volts 250 V
- Amps up to 30 A\*

\* See data sheet 2106 for ratings by specific holder.



**Agency information**

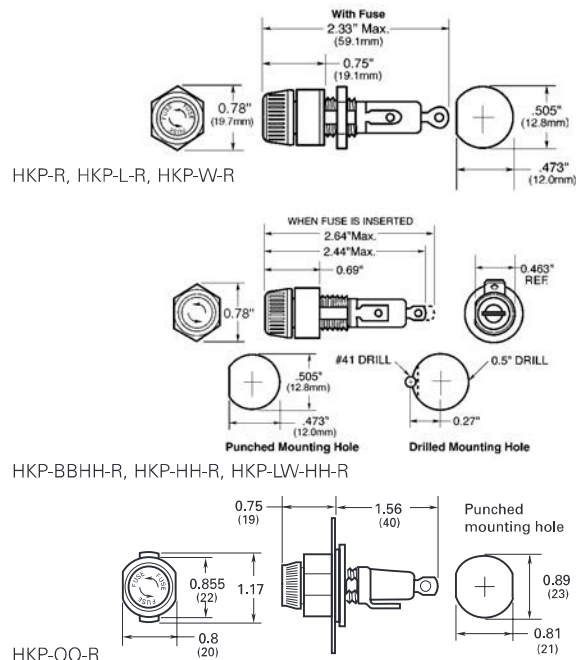
- UL Recognized Guide IZLT2, File E14853, CSA Certified, Class 6225-01, File 47235, CE (HKP, HKP-L, HKP-W, HKP-OO), RoHS compliant

Catalog no.	Description
HKP-R	Standard fuse holder
HKP-L-R	HKP with 2250 V stand-off barrier
HKP-W-R	HKP with drip-proof knob
HKP-BBHH-R	HKP with 1/4" quick-connects, nut and washer assembled.
HKP-HH-R	HKP with 1/4" quick-connect.
HKP-LW-HH-R	HKP with drip-proof knob, 2250 V stand-off barrier and 1/4" quick-connects.
HKP-OO-R	HKP with snap-lock

**Replacement parts**

Catalog no.	Description
9435-1/2	Cap
BK/1A4287	Plastic nut (100 pieces minimum)
BK/1A4806-2	Metal nut (100 pieces minimum)
9732	Washer

**Dimensions — in (mm)**



Data sheet no. 2106

### HLD panel mount holders for 1/4" x 1-1/4" pin indicating fuses

**Ratings**

- Volts 250 V
- Amps 15 A

**Agency information**

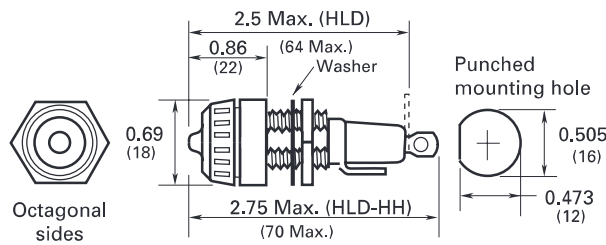
- UL Recognized, Guide IZLT2, File E14853, CE



Catalog no.*	Terminals
HLD	Solder terminals
HLD-HH	1/4" quick-connect terminals

\* Use with GBA or GLD fuses.

**Dimensions — in (mm)**



Data sheet no. 2120

### HPC-D flange panel mount, solder terminal

10 AWG max holder with screw-type knob for 13/32" x 1-1/2" fuses. Supplied with O-ring and panel gasket

**Ratings**

- 600 V, 30 A\*

\* 20 A max when used with quick-connect terminals.

**Agency information**

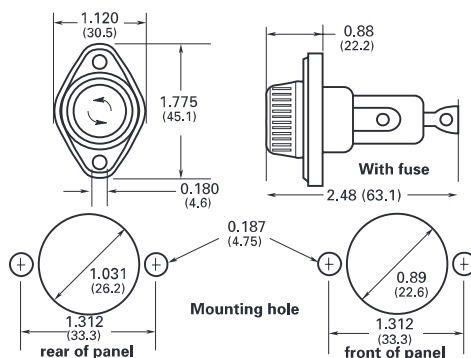
- UL Recognized, Guide IZLT2, File E14853, CE

**Flammability rating: UL 94HB**



Catalog no.	Description
HPC-D	Flange mount in panels up to 1/4" thick.
BK/9987SA	Replacement knob, bulk only, 50 pieces

**Dimensions — in (mm)**



Data sheet no. 2109

### HPF panel mount holders with screw-type knobs for 13/32" x 1-5/16" to 1-1/2" fuses

**Ratings\***

- Volts up to 600 V
- Amps up to 30 A

\* See catalog numbers for ratings by specific holder.

**Agency information**

- UL Recognized, Guide IZLT2, File E14853; CSA Certified, Class 6225-01, File 47235, CE



**Flammability rating: UL 94HB**

**Terminals**

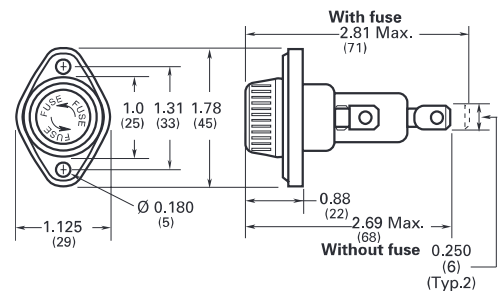
- Combination 1/4" quick-connect/solder\*\* terminals

\*\*Solder terminal 10 AWG wire max.

Catalog no.	Amps	Volts (AC)	Fuse/description/length
HPF	30 <sup>2</sup>	600	1-1/2" (38mm)
HPF-C	30 <sup>3</sup>	600 <sup>3</sup>	Clear knob 1-1/2" (38mm)
HPF-L	5	600	BBS, 1-3/8" fuses.
HPF-EE	15	600	SC Class G up to 15 A, 1-5/16"
HPF-JJ	20	600	SC Class G 20 A, 1-13/32"
HPF-FF <sup>1</sup>	30 <sup>2</sup>	480	SC Class G 25 and 30 A, 1-5/8"
HPF-RR	30 <sup>2</sup>	600	FNO-R, KTK-R, LP-CC, Class CC
HPF-WT	30 <sup>2</sup>	600	Splash-proof knob. 1-1/2" (38mm)

- 1 Not CSA Certified.
- 2 20 A max when used with quick-connect terminals.
- 3 HPF-C ratings for CSA: 15 A, 250 V.

**Dimensions — in (mm)**



Data sheet no. 2114

**HPD and HPG panel mount bayonet-type knob holders for 13/32" x 1-1/2" fuses**

**Ratings**

- Volts 600 V
- Amps
  - 30 A
  - 15 A (Class G only)

**Agency information**

- UL Recognized, Guide IZLT2, File E14853, CE

**Flammability ratings**

- Body UL 94V0
- Knob UL 94HB



**HPM panel mount holders with screw-type knob for 13/32" x 1-1/2" fuses.**

**Ratings**

- Volts 600 V
- Amps 30 A\*
- \* 20 A max when used with quick-connect terminals.



**Agency information**

- UL Recognized, Guide IZLT2, File E14853; CSA Certified, Class 6225-01, File 47235, CE

**Flammability rating: UL 94HB**

Catalog no.	Description
HPM	1/4" quick-connect/solder
HPM-D	Splash-resistant knob**
BK/9789-Y2	Replacement knob, bulk only, 50 pieces

\*\*HPM-D has 1/4" quick-connect/solder terminal on rear (load) terminal only. The side (line) terminal is 1/4" quick-connect only.

**Nut torque:**

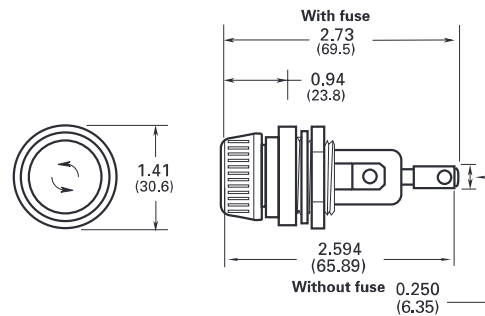
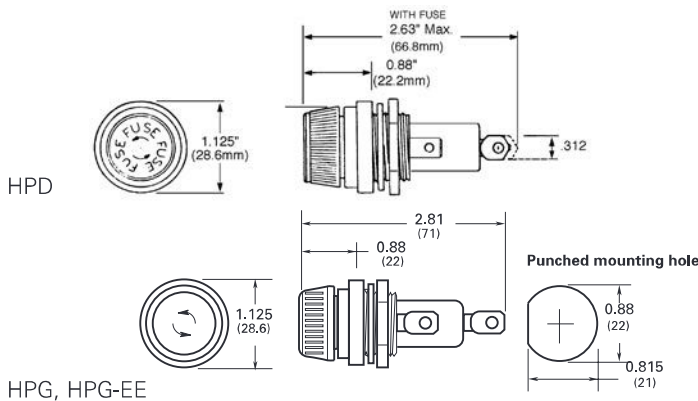
- 30 lb-in.

**Dimensions — in (mm)**

Catalog no.	Amps	Volts (AC)	Fuse/description/length
HPD*	30 <sup>1</sup>	600	1-1/2" (38mm)
HPG**			
HPG-EE**	15		SC Class G up to 15 A, 1-5/16"

\* HPD has combination 1/4" quick-connect/solder terminal on loadside (side) terminal only. Lineside (rear) terminal is 3/16" shorter than and is solder only.  
 \*\*HPG and HPG-EE has combination 1/4" quick-connect/solder terminals on both side (load) and rear (line) terminals.  
 1 20 A max when used with quick-connect terminals.

**Dimensions — in (mm)**



### HPS panel mount bayonet-type knob holders for 13/32" x 1-5/16" to 1-1/2" fuses

#### Ratings\*

- Volts up to 600 V
- Amps up to 30 A
- \* See catalog numbers for ratings by specific holder.



#### Agency information

- UL Recognized, Guide IZLT2, File E14853; CSA Certified, Class 6225-01, File 47235, CE

#### Flammability rating: UL 94HB

#### Terminals

- Combination 1/4" quick-connect/solder terminals.

Catalog no.	Amps	Volts (AC)	Fuse/description/length
HPS	30 <sup>1,2</sup>	600	1-1/2" (38mm)
HPS-L	5	600	BBS, 1-3/8"
HPS-EE*	15	600	SC Class G up to 15 A, 1-5/16"
HPS-JJ*	20	600	SC Class G 20 A, 1-13/32"
HPS-F-EE†	15	600	Sleeve on body, leaded for 1-5/16" fuses
HPS-FF*†	30 <sup>1</sup>	480	SC Class G 25 and 30 A, 1-5/8"
HPS-RR*†	30 <sup>1</sup>	600	FNQ-R KTK-R, LP-CC Class CC

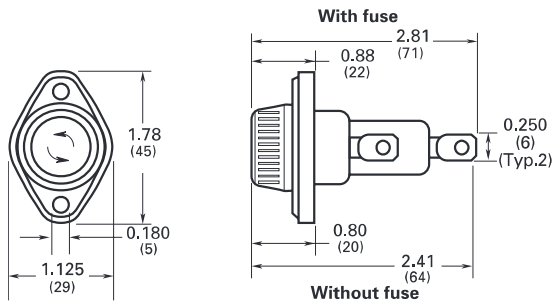
\* -EE, -JJ, -FF and -RR suffix versions are UL Recognized for applications requiring branch circuit protection.

† Not CSA Certified.

1 20 A max when used with quick-connect terminals.

2 HPS rated at 250 V for CSA.

#### Dimensions — in (mm)



### HPS2 panel mount, 1/4" quick-connect/solder terminal (10 AWG max) holder with screw-type knob for 13/32" x 1-1/2" fuses. Supplied with O-ring and panel gasket

For fuse size 13/32" x 1-1/2", meeting UL 1598 requirement that both poles be removed simultaneously.



#### Ratings

Volts 600 V  
Amps 30 A\*

\* 20 A max when used with quick-connect terminals.

#### Agency information

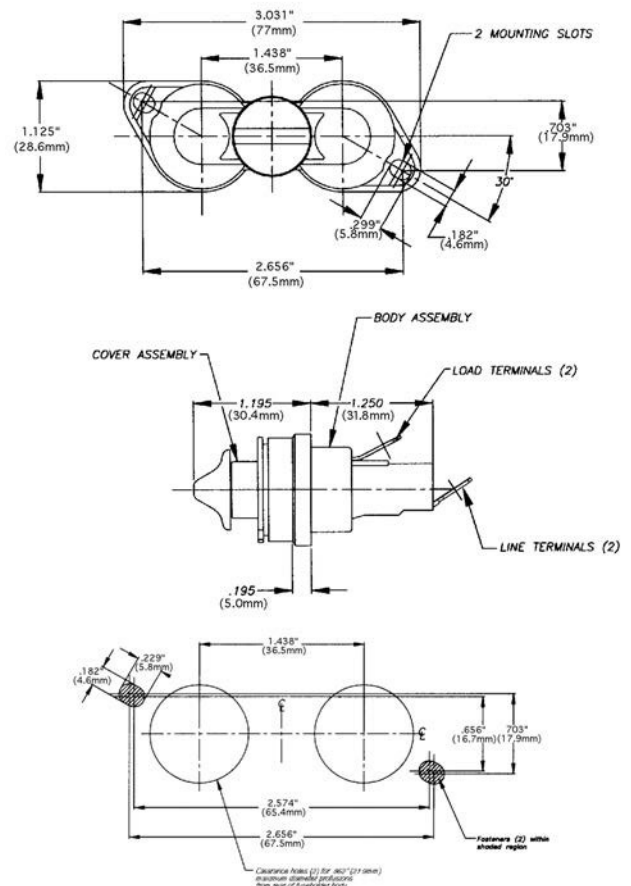
- UL 4248 Recognized, Guide IZLT2, File E14853, CSA certified Class 6225-01, File 47235

#### Flammability rating: UL 94V0

Terminals: 1/4" quick-connect/solder.

Catalog no.	Description
HPS2	Standard 10-in carton
BK/HPS2	Bulk 100-in carton

#### Dimensions — in (mm)



**HHT in-line fuse holder for 5x15mm to 20mm fuses**

The HHT features a black thermoplastic body with brass contacts and 13 inch red AWG 16 leads.

**Ratings**

- Volts
  - 250 Vac
  - 32 Vdc
- Amps
  - 5 A (5x15mm fuses)
  - 10 A (5x20mm fuses)



**HFA in-line water-resistant holders for 1/4" x 1-1/4" fuses**

The HFA is a waterproof, crimp or quick-connect terminal holder for exposed locations made of high temperature, flame retardant phenolic material meeting UL 94 HB. Recommended crimp tools include Thomas & Betts WT-112M or ERG-2002 and Channelock No. 909.

**Ratings**

- Volts 250 V
- Amps 20 A max.



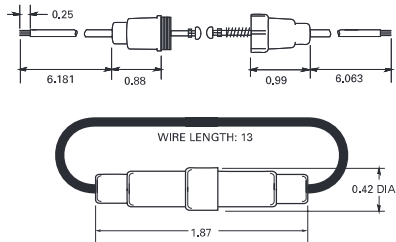
**Agency information**

- UL Recognized, Guide IZLT2, File E14853 using AWG 12 copper conductors

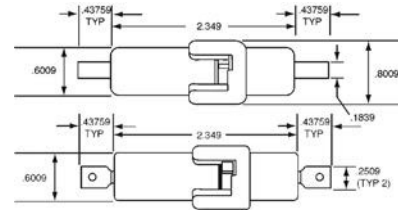
Catalog no.	Fuse size (mm)
HHT (100-in)	5x15 and 5x20
BK/HHT (1000-in)	

Catalog no.	Terminals/AWG
HFA (10-in)	
HFA-R (10-in, RoHS compliant)	Crimp/12-16
BK/HFA-R (20-in, RoHS compliant)	
HFA-HH* (10-in)	
HFA-HH-R* (10-in, RoHS compliant)	1/4" quick-connect
BK/HFA-HH-R* (20-in, RoHS compliant)	

**Dimensions — in**



**Dimensions — in**



### HFB and HFB-10 in-line holders for 1/4" x 7/8" to 1-1/4" fuses

Water-resistant in-line fuse holder for 1/4" x 1-1/4" fuses made of a thermoplastic rubber body with tin-plated, copper contacts.



**Ratings**

- Volts 32 V
- Amps 30 A max.

Catalog no.	Description
HFB-R*	Standard pack (10-in)
BK/HFB-R*	Bulk pack (100-in)
HFB-10-R**	Standard pack (10-in)
BK/1A2294	HFB replacement contact clip
1A2294-01	HFB-10** replacement contact clip

\* HFB-R accepts #12 to #18 wire leads (not provided). See data sheet 2102 for recommended crimp tools.  
 \*\*HFB-10-R accepts #10 wire leads (not provided). See data sheet 2102 for recommended crimp tools.

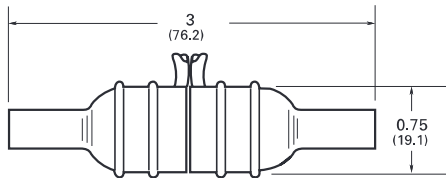
**Features**

- Simple assembly with one-piece thermoplastic (important information molded into body)
- High visibility yellow color for easy identification in dark or hard-to-access locations
- Ideal for shock and vibration environments; withstands many organic solvents; temperature range -40°C to +150°C

**Typical applications**

- Supplemental, low voltage, low amperage control circuits

**Dimensions — in (mm)**



Data sheet no. 2102

### HHB universal in-line holders for 1/4" x 7/8", 1" and 1-1/4" fuses

Universal in-line fuse holder for 1/4" diameter fuses in lengths from 7/8" to 1-1/4" made of a nylon body with tin-plated, copper contacts.



**Ratings**

- Volts 32 V
- Amps 30 A max.

Catalog no.	Description
<b>Holder without leads*</b>	
HHB-R**	Standard pack (10-in)
BK/HHB-R**	Bulk pack (1000-in)
<b>Holder with pre-attached 14 AWG insulated lead wires</b>	
BK/HHB-Y408	8" yellow leads (1000-in)
BK/HHB-R408**	8" red leads (1000-in)
BK/HHB-B408	8" black leads (1000-in)
BK/HHB-Y419	19" yellow leads (1000-in)
BK/HHB-R419	19" red leads (1000-in)
BK/HHB-B419	19" black leads (1000-in)

\* Accepts #12 to #16 wire leads (not provided with basic fuse holder). See data sheet 2103 for recommended crimp tools.  
 \*\*RoHS compliant.

**Flammability rating: UL 94V2**

**Pull force**

- 5 lbs minimum to separate fuse holder housing with fuse installed

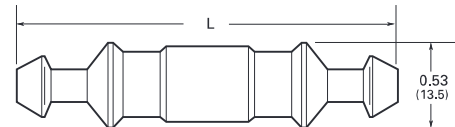
**Features**

- Universal application for 1/4" x 7/8", 1" and 1-1/4" fuses

**Typical applications**

- Supplemental, low voltage, low amperage control circuits

**Dimensions — in (mm)**



Fuse length	Fuse	Max. holder length "L"
7/8"	AWG	2.10
1"	AGX	2.25
1-1/4"	ABC, AGC, GBB, MDA, MDL, MDQ	2.42

Data sheet no. 2103

**HM, HR and HH in-line holders**

HM and HR in-line fuse holders feature 8 and 19 inch 14 AWG length leads with a size-rejecting SFE fuse. Also accommodates various length 1/4" diameter fuses from 5/8" to 1-1/4".



**Ratings**

- Volts 32 V
- Amps 20 A max.

Catalog no.	Included SFE fuse	Lead length (in)	Fuse length (in)
HMJ*	SFE-20	8	1-1/4
HMI	SFE-14		1-1/16
HMH	SFE-9		7/8
HME	SFE-7-1/2		7/8
HMG	SFE-6		3/4
HMF	SFE-4		5/8
HRJ**	SFE-20	19	1-1/4
HRI	SFE-14		1-1/16
HRH	SFE-9		7/8
HRE	SFE-7-1/2		7/8
HRG	SFE-6		3/4
HRF	SFE-4		5/8

\* Also available as in-line fuse holder only with lead wire contacts, HMJ-LESS-fuse.  
 \*\*Also available as in-line fuse holder only with lead wire contacts, HRJ-LESS-fuse.

Catalog no.	Fuse length (in)	Holder description	AWG wire range	Max amps
HHJ-A	1-1/4	No wire or fuse included	18-22	10
HHJ-B			12-16	30
HHI-A	1-1/16		18-22	10
HHI-B			12-16	30

**Replacement contacts**

Contact catalog no.	For holder catalog no.
9838	HHJ-A and HHI-A
9841	HHJ-B and HHI-B

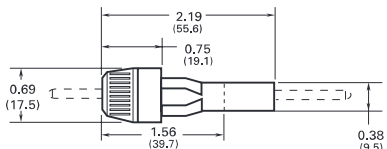
**Features**

- Universal application for SFE and various length 1/4" diameter fuses.
- 14 AWG lead wires simplify electrical connection.

**Typical applications**

- Supplemental, low voltage, low amperage control circuits

**Dimensions — in (mm)**



Data sheet no. 2122

**HRK Universal in-line holder for 1/4" x 7/8" to 1-1/4" fuses**

Universal in-line fuse holder with 8" (203mm) 14 AWG lead wires for 1/4" diameter fuses in lengths from 7/8" to 1-1/4".



**Ratings**

- Volts 32 V
- Amps 15 A max.

Catalog no.	Accepts fuse length	Fuse
HRK-R*	7/8"	AWG
	1"	AGX
	1-1/4"	ABC, AGC, GBB, MDA, MDL, MDQ

\* Three springs furnished with fuse holder to accommodate different length 1/4" fuses.

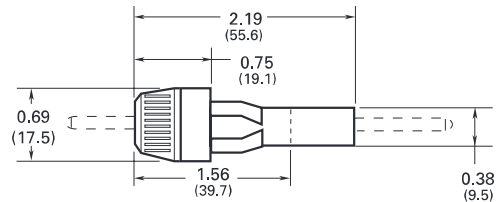
**Features**

- Universal application for 1/4" x 7/8", 1" and 1-1/4" fuses
- 14 AWG lead wires simplify electrical connection.
- RoHS compliant

**Typical applications**

- Supplemental, low voltage, low amperage control circuits

**Dimensions — in (mm)**



Data sheet no. 2111

## HEC, HEG, HEH and HEJ† single-pole Class G fuse non-breakaway in-line holders

Class G size-rejecting non-breakaway submersible, single-pole in-line fuse holders available with many terminal options to meet application needs. Optional insulating boots provide additional protection from dust and moisture ingress (order separately). The HEC is also available in a breakaway version.

† HEJ holders are not RoHS compliant.



### Ratings\*

Volts up to 600 V

Amps up to 60 A

SCCR 200 kA RMS Sym.

\* Dependant upon fuse and conductor rating.

### Insulating boots

Insulating boots are not included. Two insulating boots must be ordered separately, if required, for each holder ordered. When insulating boots are utilized, extra heat retention requires that fuses are sized at a minimum of 200 percent of the RMS load current.

To order insulating boots for Class G holders, use these catalog numbers.

Catalog no.	Description
2A0660	Single conductor
2A0661	Dual conductor

### HEG

- 600 V
- 15 A



### HEH

- 600 V
- 20 A



### HEC

- 480 V
- 25-30 A



### HEJ

- 480 V
- 35-60 A



## Recommended crimping tools

This list is not intended to exclude the use of other crimping tools that can provide similar crimps or indents.

Terminal code	T & B P/N (Die)	Terminal code	T & B P/N (Die)
A	WT-111M (C)	D	TBM5 (Brown)
	Sta-Kon ERG4002 (C)		TBM8 (Brown)
B	WT-115A (D)		WT-115A (F)
C	TBM5 (Grey)	Z	WT-111M (A)
	WT-115A (E)		Sta-Kon ERG4002 (A)
N, P, Q, R, T	TBM8 (Orange)		

## HET neutral

The HET holder is a single-pole in-line holder with a permanent, solid neutral for use along with the Class G in-line holders to provide a means of conductor continuity. The HET holder is identified by a white, plastic coupling nut. Available HET holder counterparts to their Class G holder equivalents are listed in the following catalog number tables. See data sheet no. 2125 for details on the HET holder.



## HEC breakaway Class G fuse in-line holder



The HEC breakaway holder includes insulating boots.

Amps	Catalog no.	Line and load terminal	AWG
25-30	HEC-RW-RLB-R	Al crimp	1-2 str.

## Non-breakaway catalog number system

### HE - A A



Amps	Catalog symbol	Loadside terminal	Lineside terminal	Loadside terminal		Lineside terminal		
				Terminal type	AWG Wire range*	Terminal type	AWG wire range*	HET neutral equivalent
15	HEG	A	A	Cu crimp	8-16; (2) 12-16	Cu crimp	8-16; (2) 12-16	HET-AA
20	HEH	A	A	Cu crimp	8-16; (2) 12-16	Cu crimp	8-16; (2) 12-16	HET-AA
			D	Cu crimp	8-16; (2) 12-16	Cu crimp	2 str; (2) 6	—
25-30	HEC	A	A	Cu crimp	8-16; (2) 12-16	Cu crimp	8-16; (2) 12-16	HET-AA
			A	Cu crimp	8-16; (2) 12-16	Cu crimp	8-16; (2) 12-16	HET-AA
			B	Cu crimp	8-16; (2) 12-16	Cu crimp	6; (2) 10	HET-AB
			B	Cu crimp	6; (2) 10	Cu crimp	6; (2) 10	HET-BB
			C	Cu crimp	4 str; (2) 8	Cu crimp	4 str; (2) 8	—
			D	Cu crimp	2 str; (2) 6	Cu crimp	2 str; (2) 6	—
			35-60	HEJ	A	J	Cu setscrew	3-12
K	Cu setscrew	3-12				Cu dual setscrew	2-12 <sup>†</sup>	HET-JK
L	Al setscrew	2-12				Al setscrew	2-12	—
LB <sup>††</sup>	Al setscrew	2-12				Al setscrew	2-12	—
P	Al crimp	4 sol; 6 str				Al crimp	4 sol; 6 str	—
Q	Al crimp	2 sol; 3-4 str				Al crimp	2 sol; 3-4 str	—
W	Cu solid	-				Cu solid	-	—

\* Solid/stranded conductors unless otherwise noted.

<sup>†</sup> Not dual wire rated. One wire per opening.

<sup>††</sup> Same as catalog number as HEJ-LL, but packaged with two 2A0660 single conductor insulating boots.

**To order:** specify catalog symbol and the loadside terminal code. Then select a lineside terminal code that is available with the loadside terminal. Example: HEJ-BB defines a non-breakaway holder with a loadside copper crimp terminal for a single #6 or two #10 wires with a lineside copper crimp terminal for a single #6 or two #10 wires.

## HEB single-pole breakaway and non-breakaway in-line holders for 13/32" x 1-1/2" supplemental fuses

Breakaway and non-breakaway submersible, single-pole in-line fuse holders available with many terminal options to meet application needs. Breakaway versions come with insulating boots to provide submersibility per UL IP67. Non-breakaway versions require ordering optional insulating boots for submersibility.

### Ratings

Volts 600 V

Amps up to 30 A limited by conductor size

SCCR 200 kA RMS Sym.\*

\* Dependant upon fuse interrupting rating.

### Agency information

UL Recognized, Guide IZLT2, File E14853, CSA Certified, Class 622501, File 47235, CE, RoHS compliant\*\*

\*\*See data sheet 2127 for exceptions.



### Insulating boots

Two insulating boots come standard with the breakaway holder configurations. Insulating boots are not included as standard with non-breakaway holders. Two insulating boots must be ordered separately, if required, for each non-breakaway holder ordered. When insulating boots are utilized, extra heat retention requires that fuses are sized at a minimum of 200 percent of the RMS load current.

To order insulating boots for a non-breakaway HEB holder, use these catalog numbers.

Catalog no.	Description
2A0660	Single conductor
2A0661	Dual conductor

### Recommended crimping tools

This list is not intended to exclude the use of other crimping tools that can provide similar crimps or indents.

Terminal code	T & B P/N (Die)	Terminal code	T & B P/N (Die)
A	WT-111M (C) Sta-Kon ERG4002 (C)	D	TBM5 (Brown) TBM8 (Brown)
B	WT-115A (D)		WT-115A (F)
C	TBM5 (Grey) WT-115A (E)	Z	WT-111M (A) Sta-Kon ERG4002 (A)
N, P, Q, R, T	TBM8 (Orange)		

### Breakaway catalog number system

#### HEB - A W - RYC

Catalog symbol	Loadside terminal	Lineside terminal	Agency Information				Loadside terminal		Lineside terminal		HET neutral equivalent
			UL	CSA	Terminal type	AWG wire range*	Terminal type	AWG wire range*			
A	RLC-A	X	X	Cu crimp	8-16; (2) 12-16 Str/Sol	Cu crimp	8-16; (2) 12-16 Str/Sol	HET-AW-RLC-A			
	RLC-B	X	X	Cu crimp	8-16; (2) 12-16 Str/Sol	Cu crimp	6; (2) 10	HET-AW-RLC-B			
	RLC-C	X	X	Cu crimp	8-16; (2) 12-16 Str/Sol	Cu crimp	4; (2) 8	HET-AW-RLC-C			
	RLC-J	X	X	Cu crimp	8-16; (2) 12-16 Str/Sol	Cu setscrew	3-12 Str; 10-12 Sol	HET-AW-RLC-J			
	RYC	X	X	Cu crimp	8-16; (2) 12-16 Str/Sol	Cu dual setscrew	2-12 <sup>†</sup> Str; 10-12 Sol <sup>†</sup>	HET-AW-RYC			
	RLA	—	—	Cu crimp	8-16; (2) 12-16 Str/Sol	Al setscrew	2-12	—			
HEB	RYA	—	—	Cu crimp	8-16; (2) 12-16 Str/Sol	Al dual setscrew	2-12 <sup>†</sup>	—			
	RLC-A	X	X	Cu crimp	6; (2) 10	Cu crimp	8-16; (2) 12-16	—			
	RLC-B	X	X	Cu crimp	6; (2) 10	Cu crimp	6; (2) 10	HET-BW-RLC-B			
	RYC	X	X	Cu crimp	6; (2) 10	Cu dual setscrew	2-12 <sup>†</sup> Str; 10-12 Sol <sup>†</sup>	—			
	RLC-J	X	X	Cu setscrew	3-12 Str; 10-12 Sol	Cu setscrew	3-12 Str; 10-12 Sol	HET-JW-RLC-J			
	RYC	X	X	Cu setscrew	3-12 Str; 10-12 Sol	Cu dual setscrew	2-12 <sup>†</sup> Str; 10-12 Sol <sup>†</sup>	HET-JW-RYC			
J	RLC-J	X	—	Cu dual setscrew	2-12 Str <sup>†</sup> ; 10-12 Sol <sup>†</sup>	Cu setscrew	3-12 Str; 10-12 Sol	—			
	RYC	X	—	Cu dual setscrew	2-12 Str <sup>†</sup> ; 10-12 Sol <sup>†</sup>	Cu dual setscrew	2-12 <sup>†</sup> Str; 10-12 Sol <sup>†</sup>	—			
K	RLA	—	—	Al setscrew	2-12	Al setscrew	2-12	—			
	RYC	X	—	Cu dual setscrew	2-12 Str <sup>†</sup> ; 10-12 Sol <sup>†</sup>	Cu dual setscrew	2-12 <sup>†</sup> Str; 10-12 Sol <sup>†</sup>	—			
L	RLC-J	—	—	Al setscrew	2-12	Cu setscrew	3-12	—			
	RYA	—	—	Al setscrew	2-12	Al dual setscrew	2-12 <sup>†</sup>	—			

\* Stranded conductors unless otherwise noted.

† Not dual wire rated. One wire per opening.

**To order:** specify catalog symbol HEB and the loadside terminal code plus the letter "W." Then select a lineside terminal code that is available with the loadside terminal. Example: HEB-BW-RCL-B defines a breakaway holder with a loadside copper crimp terminal for a single #6 or two #10 wires with a lineside copper crimp terminal for a single #6 or two #10 wires.

Data sheet no. 2127



Non-breakaway catalog number system

HEB - A A

Catalog symbol	Loadside terminal	Lineside terminal	Agency information				Loadside terminal		Lineside terminal		HET neutral equivalent
			UL	CSA	Terminal type	AWG Wire range*	Terminal type	AWG wire range*			
A	A		X	X	Cu crimp	8-16; (2) 12-16 Str/Sol	Cu crimp	8-16; (2) 12-16 Str/Sol		HET-AA	
	B		X	X	Cu crimp	8-16; (2) 12-16 Str/Sol	Cu crimp	6; (2) 10		HET-AB	
	C††		X	X	Cu crimp	8-16; (2) 12-16 Str/Sol	Cu crimp	4; (2) 8		—	
	D††		X	X	Cu crimp	8-16; (2) 12-16 Str/Sol	Cu crimp	2; (2) 6		—	
	J		X	X	Cu crimp	8-16; (2) 12-16 Str/Sol	Cu setscrew	3-12 Str; 10-12 Sol		—	
	K		X	X	Cu crimp	8-16; (2) 12-16 Str/Sol	Cu dual setscrew	2-12 <sup>†</sup> Str; 10-12 Sol <sup>†</sup>		—	
	R		—	—	Cu crimp	8-16; (2) 12-16 Str/Sol	Al crimp	1-2		—	
	L		—	—	Cu crimp	8-16; (2) 12-16 Str/Sol	Al setscrew	2-12		—	
	W		—	—	Cu crimp	8-16; (2) 12-16 Str/Sol	Cu solid	—		HET-AW	
	Y		—	—	Cu crimp	8-16; (2) 12-16 Str/Sol	Al dual setscrew	2-12 <sup>†</sup>		—	
B	A		X	X	Cu crimp	6; (2) 10	Cu crimp	8-16; (2) 12-16 Str/Sol		—	
	B		X	X	Cu crimp	6; (2) 10	Cu crimp	6; (2) 10		HET-BB	
	C		X	X	Cu crimp	6; (2) 10	Cu crimp	4; (2) 8		—	
	D††		X	X	Cu crimp	6; (2) 10	Cu crimp	2; (2) 6		—	
	W		—	—	Cu crimp	6; (2) 10	Cu solid	—		—	
C	C††		X	X	Cu crimp	4; (2) 8	Cu crimp	4; (2) 8		—	
	D		X	X	Cu crimp	2; (2) 6	Cu crimp	2; (2) 6		—	
Z	A		—	—	Cu crimp	18-20	Cu crimp	8-16; (2) 12-16 Str/Sol		—	
	J		X	—	Cu setscrew	3-12 Str; 10-12 Sol	Cu setscrew	3-12 Str; 10-12 Sol		HET-JJ	
J	K		X	—	Cu setscrew	3-12 Str; 10-12 Sol	Cu dual setscrew	2-12 Str <sup>†</sup> ; 10-12 Sol <sup>†</sup>		HET-JK	
	L		—	—	Cu setscrew	3-12 Str; 10-12 Sol	Al setscrew	2-12		—	
	W		—	—	Cu setscrew	3-12 Str; 10-12 Sol	Cu solid	—		—	
	Y		—	—	Cu setscrew	3-12 Str; 10-12 Sol	Al dual setscrew	2-12 <sup>†</sup>		—	
	L	L		—	—	Al setscrew	2-12	Al setscrew	2-12		—
N	N		—	—	Al crimp	8 Str ;6 Sol	Al crimp	8 Str; 6 Sol		—	
P	P		—	X	Al crimp	6 Str; 4 Sol	Al crimp	6 Str; 4 Sol		—	
Q	Q		—	X	Al crimp	3-4 Str; 2 Sol	Al crimp	3-4 Str; 2 Sol		—	
R	R		—	X	Al crimp	1-2 Str	Al crimp	1-2		—	
T	T		—	X	Al crimp	1/0 Str	Al crimp	1/0		—	
W	W		—	—	Cu solid	—	Cu solid	—		—	

\* Stranded conductors unless otherwise noted.  
 † Not dual wire rated. One wire per opening.

**To order:** specify catalog symbol HEB and the loadside terminal code. Then select a lineside terminal code that is available with the loadside terminal. Example: HEB-BB defines a non-breakaway holder with a loadside copper crimp terminal for a single #6 or two #10 wires with a lineside copper crimp terminal for a single #6 or two #10 wires.

Data sheet no. 2127

HEZ waterproof single-pole breakaway and non-breakaway Class CC in-line holder

HEZ submersible, single-pole in-line rejection fuse holders are for UL Class CC fuses. They are available in non-breakaway and breakaway versions with terminal options to meet application needs. Breakaway versions come with insulating boots (for details, see HEB insulating boot information) to provide submersibility per UL IP67. The non-breakaway version requires ordering optional insulating boots for submersibility.



Agency information

- UL Listed, Guide IZLT, File E14853
- CSA Certified, Class 6225-01, File 47235
- RoHS compliant
- CE

Catalog no.	Type	Terminal	AWG range
HEZ-AA	Non-breakaway	Line/load Cu crimp	8-16 (2) 12-16
HEZ-AW-RLC-A	Breakaway	Line/load Cu crimp	8-16 (2) 12-16
HEZ-AW-RYC		Load Cu dual setscrew <sup>†</sup>	2-12

† Not dual wire rated, one wire per opening.

Ratings

- Volts 600 V
- Amps up to 30 A limited by conductor size
- Withstand 200 kA RMS Sym.

Data sheet no. 2130

## HEX (13/32" x 1-1/2" supplemental) and HEY (Class CC) dual-pole breakaway and non-breakaway in-line holders

Breakaway and non-breakaway submersible, dual-pole in-line fuse holders available with terminal options to meet application needs. Breakaway versions come with insulating boots to provide submersibility per UL IP67. Non-breakaway versions require ordering optional insulating boots for submersibility.



### Ratings

Volts 600 V

Amps

- Up to 30 A limited by conductor size (UL)
- Up to 15 A limited by conductor size (CSA)

SCCR

- 200 kA RMS Sym.\*

\* Dependant upon fuse interrupting rating.

### Agency information

- HEX; UL Recognized, Guide IZLT2, File E14853, CSA Certified, Class 6225-01, File 47235, CE
- HEY; UL Listed, Guide IZLT, File E14853, CSA Certified, Class 6225-01, File 47235, CE

### Breakaway catalog number system

## HE - A W - RYC

Catalog symbol	Loadside terminal	Lineside terminal	Agency Information		Loadside terminal		Lineside terminal		HET neutral equivalent
			UL	CSA	Terminal type	AWG wire range*	Terminal type	AWG wire range*	
<b>13/32" x 1-1/2" supplemental fuse</b>									
HEX	A	DRLC-A	X	X	Cu crimp	8-16; (2) 12-16	Cu crimp	8-16; (2) 12-16	HET-AW_RLC-A
		DRLC-B	X	—	Cu crimp	8-16; (2) 12-16	Cu crimp	6; (2) 10	HET-AW_RLC-B
	DRYC	X	—	Cu crimp	8-16; (2) 12-16	Cu dual setscrew	2-12†	HET-AW_RYC	
	J	DRYC	X	—	Cu setscrew	3-12	Cu dual setscrew	2-12†	HET-JW-RYC
	K	DRYC	X	—	Cu dual setscrew	2-12†	Cu dual setscrew	2-12†	—
<b>Class CC rejection fuse</b>									
HEY	A	DRLC-A	X	X	Cu crimp	8-16; (2) 12-16	Cu crimp	8-16; (2) 12-16	HET-AW_RLC-A
		DRLC-B	X	—	Cu crimp	8-16; (2) 12-16	Cu crimp	6; (2) 10	HET-AW_RLC-B
		DRLC-J	X	—	Cu crimp	8-12; (2) 12-16	Cu setscrew	3-12	HET-AW_RLC-J
		DRYC	X	—	Cu crimp	8-16; (2) 12-16	Cu dual setscrew	2-12†	HET-AW_RYC

\* Solid/stranded conductors unless otherwise noted.  
† Not dual wire rated. One wire per opening.

**To order:** specify catalog symbol HEX and the loadside terminal code plus the letter "W." Then select a lineside terminal code that is available with the loadside terminal. Example: HEX-AW-DRCL-B defines a breakaway holder with a loadside copper crimp terminal for a single #8-16 or two #12-16 wires with a lineside copper crimp terminal for a single #6 or two #10 wires.

### Insulating boots

Two insulating boots come standard with the breakaway holder configurations. Insulating boots are not included as standard with non-breakaway holders. Two insulating boots must be ordered separately, if required, for each non-breakaway holder ordered. When insulating boots are utilized, extra heat retention requires that fuses are sized at a minimum of 200 percent of the RMS load current.

To order insulating boots for a non-breakaway HEB holder, use these catalog numbers.

Catalog no.	Description
2A0660	Single conductor
2A0661	Dual conductor

### Recommended crimping tools

This list is not intended to exclude the use of other crimping tools that can provide similar crimps or indents.

HEB terminal	T & B P/N (Die)	HEB terminal	T & B P/N (Die)
A	WT-111M (C) Sta-Kon ERG4002 (C)	D	TBM5 (Brown) TBM8 (Brown)
B	WT-115A (D)		WT-115A (F)
C	TBM5 (Grey) WT-115A (E)	Z	WT-111M (A) Sta-Kon ERG4002 (A)
N, P, Q, R, T	TBM8 (Orange)		

### HET neutral

The HET holder is a single-pole in-line holder with a permanent, solid neutral for use along with the HEB holder to provide a means of conductor continuity. The HET holder is identified by a white, plastic coupling nut. Available HET holder counterparts to their HEB equivalents are listed in the following catalog number tables. See data sheet no. 2125 for details on the HET holder.



Non-breakaway catalog number system



Catalog symbol	Loadside terminal	Lineside terminal	Agency information		Loadside terminal		Lineside terminal		HET neutral equivalent
			UL	CSA	Terminal type	AWG Wire range*	Terminal type	AWG wire range*	
<b>13/32" x 1-1/2" supplemental fuse</b>									
HEX	A	A	X	X	Cu crimp	8-16; (2) 12-16	Cu crimp	8-16; (2) 12-16	HET-AA
		B	X	X	Cu crimp	8-16; (2) 12-16	Cu crimp	6; (2) 10	HET-AB
		C	X	X	Cu crimp	8-16; (2) 12-16	Cu crimp	4 str; (2) 8	—
		D	X	X	Cu crimp	8-16; (2) 12-16	Cu crimp	2 str; (2) 6	—
		E	X	X	Cu crimp	8-16; (2) 12-16	Cu crimp	(2) 4	—
	B	B	X	X	Cu crimp	6; (2) 10	Cu crimp	6; (2) 10	HET-BB
	C	C	X	X	Cu crimp	4 str; (2) 8	Cu crimp	4 str; (2) 8	—
	J	J	X	—	Cu setscrew	3-12	Cu setscrew	3-12	HET-JJ
	K	X	—	—	Cu setscrew	3-12	Cu dual setscrew	2-12 <sup>†</sup>	HET-JK
	<b>Class CC rejection fuse</b>								
HEY	A	A	X	X	Cu crimp	8-16; (2) 12-16	Cu crimp	8-16; (2) 12-16	HET-AA
		B	X	X	Cu crimp	8-16; (2) 12-16	Cu crimp	6; (2) 10	HET-AB
		C	X	X	Cu crimp	8-16; (2) 12-16	Cu crimp	4 str; (2) 8	—
		D	X	X	Cu crimp	8-16; (2) 12-16	Cu crimp	2 str; (2) 6	—
		E	X	X	Cu crimp	8-16; (2) 12-16	Cu crimp	(2) 4	—
	B	B	X	X	Cu crimp	6; (2) 10	Cu crimp	6; (2) 10	HET-BB
	J	J	X	—	Cu setscrew	3-12	Cu setscrew	3-12	HET-JJ

\* Solid/stranded conductors unless otherwise noted.

† Not dual wire rated. One wire per opening.

**To order:** specify catalog symbol HE\_ and the loadside terminal code. Then select a lineside terminal code that is available with the loadside terminal. Example: HEX-BB defines a non-breakaway holder with a loadside copper crimp terminal for a single #6 or two #10 wires with a lineside copper crimp terminal for a single #6 or two #10 wires.