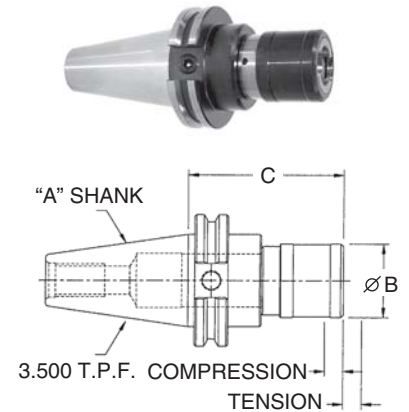


# TENSION COMPRESSION TAPPING SYSTEM BRINEY QUICK CHANGE TAPPING SYSTEM

## CAT TENSION/COMPRESSION TAP HOLDERS

PART NUMBER	CHUCK SIZE	A SHANK	TAP SIZE RANGE	B O.D.	C GAUGE LENGTH	TENSION	COMP-RESSION
BTC1-V40	#1	CAT40	0-9/16 hand, 1/8 pipe	1.42	2.955	.300	.300
BTC2-V40	#2	CAT40	5/16-7/8 hand, 1/4-1/2 pipe	2.09	3.855	.490	.490
BTC1-V50	#1	CAT50	0-9/16 hand, 1/8 pipe	1.42	2.955	.300	.300
BTC2-V50	#2	CAT50	5/16-7/8 hand, 1/4-1/2 pipe	2.09	3.855	.490	.490
BTC3-V50	#3	CAT50	13/16-1-3/8 hand, 3/4-1" pipe	3.07	5.780	.790	.790

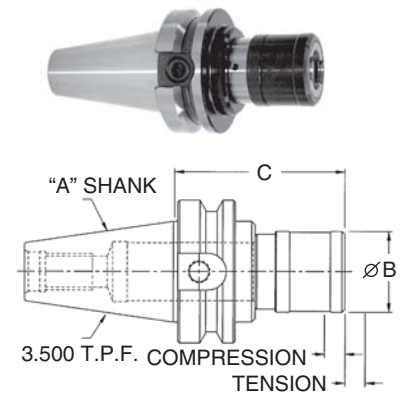
NOTE: All holders are a 2 piece modular system. Purchase tap adapters separately (page 76). Tap holder consists of 1 CAT Shank Tap Holder (refer to page 80) as well as 1 Tension/Compression Tap Chuck (refer to bottom of this page).



## BT TENSION/COMPRESSION TAP HOLDERS

PART NUMBER	CHUCK SIZE	A SHANK	TAP SIZE RANGE	B O.D.	C GAUGE LENGTH	TENSION	COMP-RESSION
BTC1-BT30	#1	BT30	0-9/16 hand, 1/8 pipe	1.42	3.580	.300	.300
BTC1-BT40	#1	BT40	0-9/16 hand, 1/8 pipe	1.42	2.642	.300	.300
BTC2-BT40	#2	BT40	5/16-7/8 hand, 1/4-1/2 pipe	2.09	3.542	.490	.490
BTC1-BT50	#1	BT50	0-9/16 hand, 1/8 pipe	1.42	3.255	.300	.300
BTC2-BT50	#2	BT50	5/16-7/8 hand, 1/4-1/2 pipe	2.09	4.355	.490	.490
BTC3-BT50	#3	BT50	13/16-1-3/8 hand, 3/4-1" pipe	3.07	5.655	.790	.790

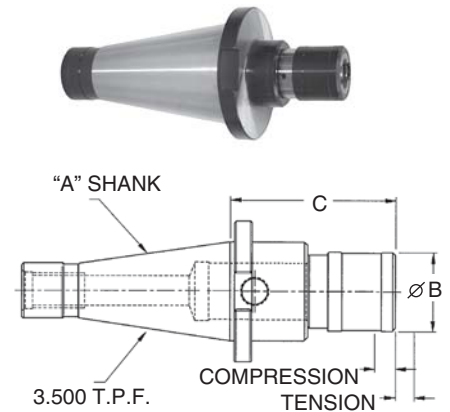
NOTE: All holders are a 2 piece modular system. Purchase tap adapters separately (page 76). Tap holder consists of 1 BT Shank Tap Holder (refer to page 80) as well as 1 Tension/Compression Tap Chuck (refer to bottom of this page).



## NMTB QC TENSION/COMPRESSION TAP HOLDERS

PART NUMBER	CHUCK SIZE	A SHANK	TAP SIZE RANGE	B O.D.	C GAUGE LENGTH	TENSION	COMP-RESSION
BTC1-NMTB40	#1	NMTB40	0-9/16 hand, 1/8-1/4 pipe	1.42	2.96	.300	.300
BTC2-NMTB40	#2	NMTB40	5/16-7/8 hand, 1/4-1/2 pipe	2.09	3.86	.490	.490
BTC1-NMTB50	#1	NMTB50	0-9/16 hand, 1/8-1/4 pipe	1.42	2.96	.300	.300
BTC2-NMTB50	#2	NMTB50	5/16-7/8 hand, 1/4-1/2 pipe	2.09	3.86	.490	.490
BTC3-NMTB50	#3	NMTB50	13/16-1-3/8 hand, 3/4-1" pipe	3.07	5.16	.790	.790

NOTE: All holders are a 2 piece modular system. Purchase tap adapters separately (page 76). Tap holder consists of 1 NMTB QC Shank Tap Holder (refer to page 80) as well as 1 Tension/Compression Tap Chuck (refer to bottom of this page).

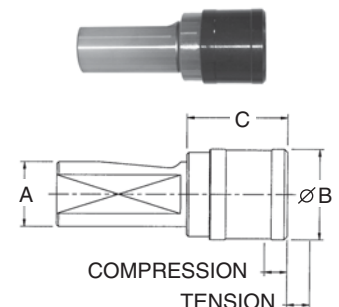


TAPPING SYSTEMS

## RIGID STRAIGHT SHANK TAP CHUCKS

PART NUMBER	CHUCK SIZE	A SHANK	TAP SIZE RANGE	B O.D.	C GAUGE LENGTH	TENSION	COMP-RESSION
BTC1-1SS	#1	1.00	0-9/16 hand, 1/8 pipe	1.42	1.580	.300	.300
BTC2-1SS	#2	1.00	5/16-7/8 hand, 1/4-1/2 pipe	2.09	2.480	.490	.490
BTC3-1.50SS	#3	1.50	13/16-1-3/8 hand, 3/4-1" pipe	3.07	3.780	.790	.790

NOTE! All holders are 2 piece modular system. Purchase tap adapters separately, page 79.



**Proper Tapping System identification is based on the capability of machine.  
Please consult owners manual for proper choices.**