

CAT 50 SHANK

SHELL MILL ADAPTERS (STANDARD LENGTH)

PART NUMBER	A ARBOR DIA.	B O.D. DIA.	C GAUGE LENGTH	D LENGTH OF PILOT	E KEY	F THREAD	G SCREW
V50SM-075-150	.750	2.750	1.50	.68	.31	3/8-24	B5002
V50SM-100-200	1.000	2.190	2.00	.68	.38	1/2-20	B5003
V50SM-125-150	1.250	2.750	1.50	.68	.50	5/8-18	B5004
V50SM-150-240	1.500	3.810	2.40	.93	.62	3/4-16	B5005
*V50SM-200-240	2.000	4.875	2.40	.93	.75	1 - 14	B5006
*V50SM-250-240	2.500	4.875	2.40	1.125	1.00	1 - 14	B5007

SHELL MILL ADAPTERS (INTERMEDIATE LENGTH)

PART NUMBER	A ARBOR DIA.	B O.D. DIA.	C GAUGE LENGTH	D LENGTH OF PILOT	E KEY	F THREAD	G SCREW
V50SM-075-350	.750	1.750	3.50	.68	.31	3/8-24	B5002
V50SM-100-400	1.000	2.190	4.00	.68	.38	1/2-20	B5003
V50SM-125-350	1.250	2.880	3.50	.68	.50	5/8-18	B5004
V50SM-150-400	1.500	3.810	4.00	.93	.62	3/4-16	B5005
*V50SM-200-400	2.000	4.875	4.00	.93	.75	1 - 14	B5006
*V50SM-250-400	2.500	4.875	4.00	1.125	1.00	1 - 14	B5007

SHELL MILL ADAPTERS (EXTENDED LENGTH)

PART NUMBER	A ARBOR DIA.	B O.D. DIA.	C GAUGE LENGTH	D LENGTH OF PILOT	E KEY	F THREAD	G SCREW
V50SM-075-550	.750	1.750	5.50	.68	.31	3/8-24	B5002
V50SM-100-600	1.000	2.190	6.00	.68	.38	1/2-20	B5003
V50SM-125-550	1.250	2.880	5.50	.68	.50	5/8-18	B5004
V50SM-150-600	1.500	3.810	6.00	.93	.62	3/4-16	B5005
*V50SM-200-600	2.000	4.875	6.00	.93	.75	1 - 14	B5006
*V50SM-250-600	2.500	4.875	6.00	1.125	1.00	1 - 14	B5007

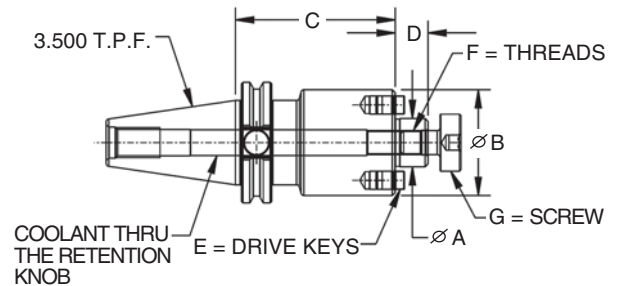
Order retention knobs separately, specify machine make and model #.

Includes shell screw and drive keys.

* Includes 4 5/8-11 tapped holes on a 4" bolt circle.

Briney Toolholder Features

- Ground tapers ranging from AT2 to AT3 for maximum spindle contact
- Quality ensured thru ISO 9001:2008 policies
- Certified 8620 Material

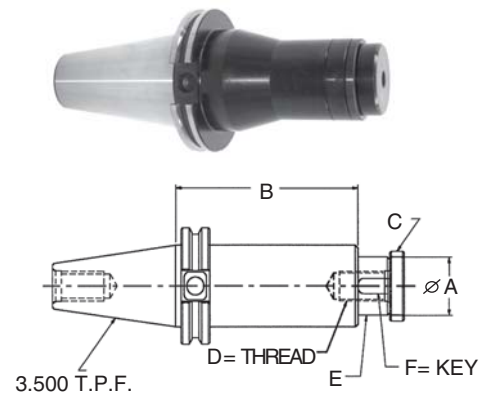


STUB ARBOR SCREW TYPE

PART NUMBER	A ARBOR DIA.	B GAUGE LENGTH	C SCREW	D THREAD	E SPACER	F KEY
V50SA-125-400	1.25	4.00	B5004	5/8-18	B6041	.312
V50SA-150-400	1.50	4.00	B5005	3/4-16	B6051	.375

Order retention knobs separately, specify machine make and model #.

Includes 1/4 and 1/2 spacers, key and shell screw. Additional spacers available, page 95.



STUB ARBOR NUT TYPE

PART NUMBER	A ARBOR DIA.	B GAUGE LENGTH	C LENGTH OVER NUT	D NUT	E KEY	F SPACER
V50SAN-125-400	1.25	4.00	6.44	B5040	.312	B6040
V50SAN-150-400	1.50	4.00	6.69	B5050	.375	B6050

Order retention knobs separately, specify machine make and model #.

Includes 3 spacers, 1/8, 3/8, 3/4, key and nut. Additional spacers available, page 95.

