

# CAT 40 SHANK

## Briney Toolholder Features

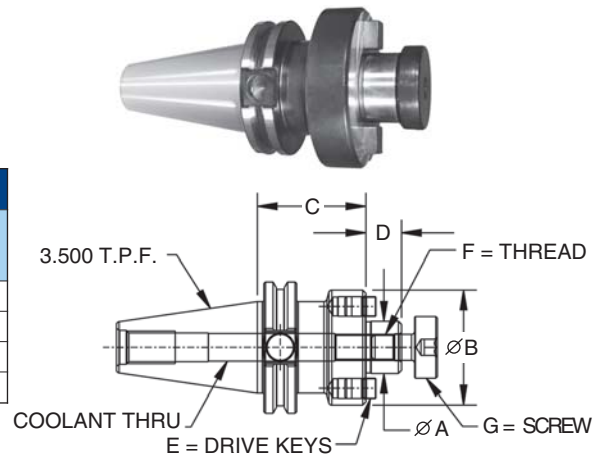
- Ground tapers ranging from AT2 to AT3 for maximum spindle contact
- Quality ensured thru ISO 9001:2008 policies
- Certified 8620 Material

### SHELL MILL ADAPTERS (STANDARD LENGTH)

PART NUMBER	A ARBOR DIA.	B O.D. DIA.	C GAUGE LENGTH	D LENGTH OF PILOT	E DRIVE KEY	F SCREW THREAD	G SCREW
V40SM-075-138	.750	1.75	1.375	.68	.31	3/8-24	B5002
V40SM-100-206	1.000	2.19	2.062	.68	.38	1/2-20	B5003
V40SM-125-212	1.250	2.88	2.125	.68	.50	5/8-18	B5004
V40SM-150-240	1.500	3.81	2.406	.94	.62	3/4-16	B5005

Order retention knobs separately, specify machine make & model #.

Includes shell screw and drive keys.

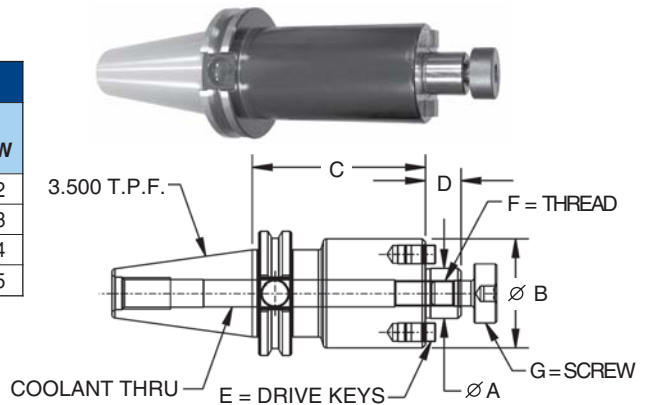


### SHELL MILL ADAPTERS (EXTENDED LENGTH)

PART NUMBER	A ARBOR DIA.	B O.D. DIA.	C GAUGE LENGTH	D LENGTH OF PILOT	E DRIVE KEY	F SCREW THREAD	G SCREW
V40SM-075-400	.750	1.75	4.00	.68	.31	3/8-24	B5002
V40SM-100-400	1.000	2.19	4.00	.68	.38	1/2-20	B5003
V40SM-125-400	1.250	2.88	4.00	.68	.50	5/8-18	B5004
V40SM-150-400	1.500	3.81	4.00	.94	.62	3/4-16	B5005

Order retention knobs separately, specify machine make & model #.

Includes shell screw and drive keys.



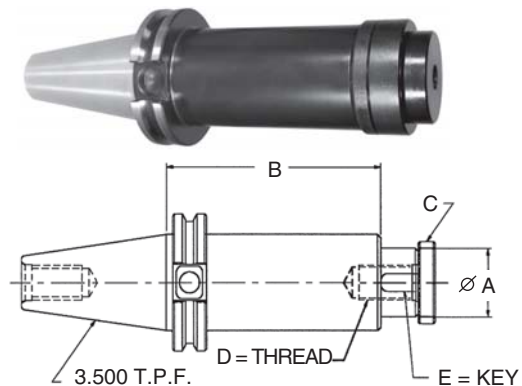
### STUB ARBOR SCREW TYPE

PART NUMBER	A ARBOR DIA.	B GAUGE LENGTH	C SCREW	D THREAD	SPACER	E KEY
V40SA-100-400	1.00	4.00	B5003	1/2-20	B6031	.250
V40SA-125-400	1.25	4.00	B5004	5/8-18	B6041	.312
V40SA-150-400	1.50	4.00	B5005	3/4-16	B6051	.375

Order retention knobs separately, specify machine make & model #.

Includes 2 spacers, 1/4 and 1/2, key and standard shell screw.

Additional spacers available, page 95.



### STUB ARBOR NUT TYPE

PART NUMBER	A ARBOR DIA.	B GAUGE LENGTH	C LENGTH OVER NUT	D NUT	E KEY	F SPACER
V40SAN-100-400	1.00	4.00	6.19	B5030	.250	B6030
V40SAN-125-400	1.25	4.00	6.44	B5040	.312	B6040
V40SAN-150-400	1.50	4.00	6.69	B5050	.375	B6050

Order retention knobs separately, specify machine make & model #.

Includes 3 spacers, 1/8, 3/8, 3/4, key and nut. Additional spacers available on page 95.

