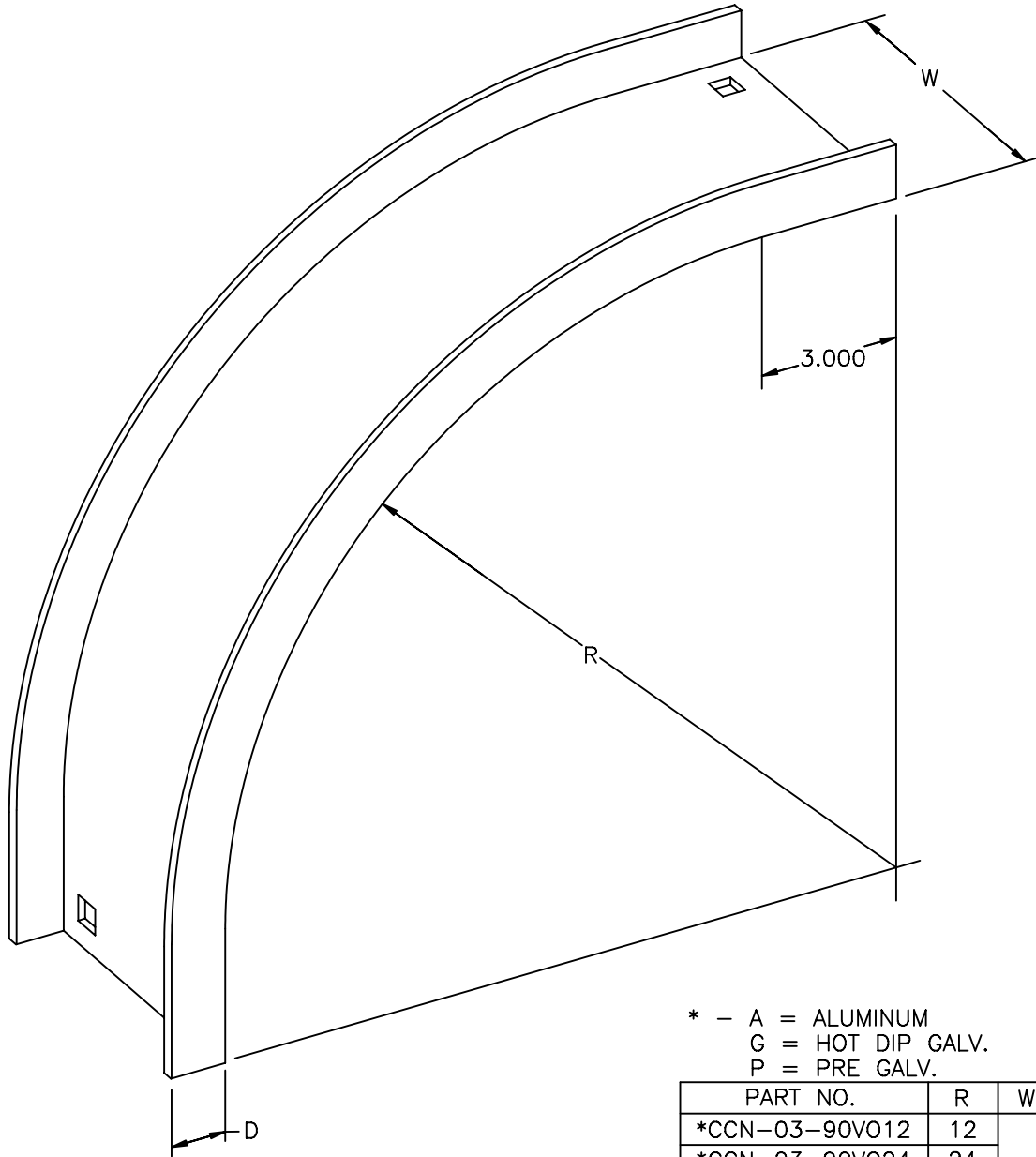


CABLE CHANNEL 90° VERTICAL OUTSIDE BEND



* - A = ALUMINUM
 G = HOT DIP GALV.
 P = PRE GALV.

PART NO.	R	W	D
*CCN-03-90V012	12	3	1.250
*CCN-03-90V024	24		
*CCN-03-90V036	36		
*CCN-03-90V048	48		
*CCN-04-90V012	12	4	1.750
*CCN-04-90V024	24		
*CCN-04-90V036	36		
*CCN-04-90V048	48		
*CCN-06-90V012	12	6	1.750
*CCN-06-90V024	24		
*CCN-06-90V036	36		
*CCN-06-90V048	48		

COOPER B-Line

509 WEST MONROE STREET
 HIGHLAND, ILLINOIS 62249
 PHONE (618)-654-2184

TITLE:
 CABLE CHANNEL
 90° VERTICAL OUTSIDE BEND

EQUIPMENT FURNISHED HAS BEEN FABRICATED
 IN ACCORDANCE WITH THIS DRAWING.

PRODUCT DWG. NO'S:

4141

SHEET OF
 DRAWN BY: TJC

DRAWING NO.
 S4141-1

DATE: 8/8/97