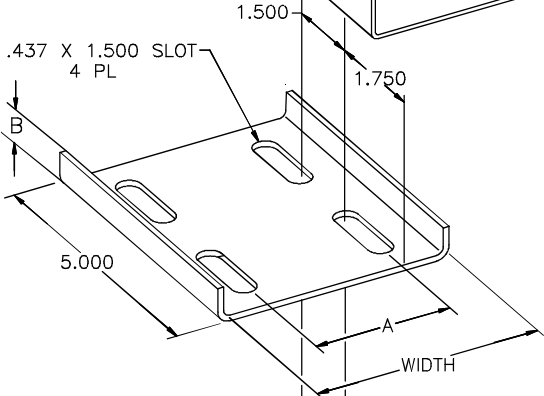
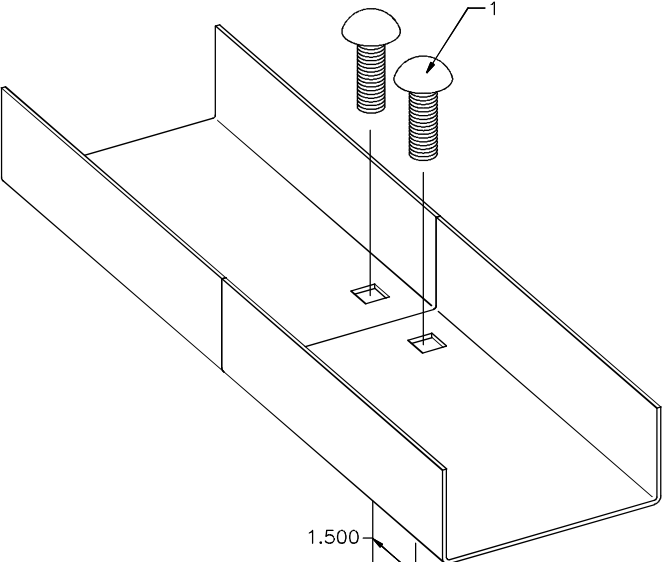
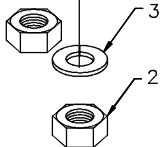


SPLICE PLATE
FOR ALUMINUM
CABLE CHANNEL



PART NO.	WIDTH	A	B
9A-1043	3	1.50	.300
9A-1044	4	2.50	.300
9A-1044-6	6	4.50	.300

- 1. 4 PC. 3/8-16 X 1 CARRIAGE BOLT
- 2. 4 PC. 3/8-16 LOCKWASHER
- 3. 4 PC. 3/8-16 NUT



COOPER B-Line

509 WEST MONROE STREET
HIGHLAND, ILLINOIS 62249
PHONE (618)-654-2184

TITLE: SPLICE PLATE
FOR ALUMINUM
CABLE CHANNEL

EQUIPMENT FURNISHED HAS BEEN FABRICATED
IN ACCORDANCE WITH THIS DRAWING.

PRODUCT DWG. NO'S:
4067

SHEET OF
DRAWN BY: TJC

DRAWING NO.
S4067

DATE: 8/11/97