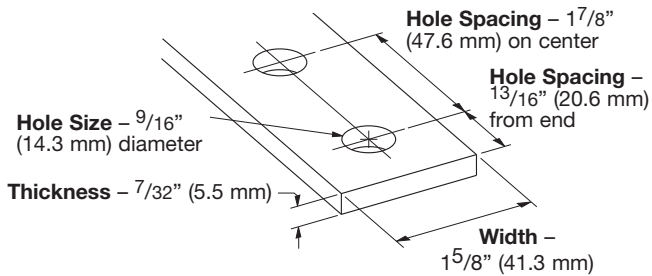


Fittings

This section offers a full selection of fittings and accessories to complete our strut system. Fittings are made from hot rolled, pickled and oiled plate or strip steel in accordance with ASTM A1018 33,000 PSI min. yield, unless noted.

Dimensions

The following dimensions apply to all fittings except as noted:



Materials & Finishes (Unless otherwise noted)

| Finish Code | Finish | Specification |
|-------------|--------------------------|--|
| PLN | Plain | ASTM A1018 33,000 PSI min. yield |
| ZN | Electro-Plated Zinc | ASTM B633 SC3 Type III or ASTM A653 |
| GRN | DURA-GREEN™ | |
| HDG | Hot-Dipped Galvanized | ASTM A123 |
| SS4 | Stainless Steel Type 304 | ASTM A240 |
| SS6 | Stainless Steel Type 316 | ASTM A240 |
| AL | Aluminum | ASTM B209 |

Note: A minimum order may apply on special material and finishes.

Load Data

The load data published includes safety factor of 2.5 when used with 12 ga. (2.6) channel (safety factor = ratio of ultimate load to the design load).

Use $\frac{1}{2}$ "-13 x $\frac{7}{8}$ " hex head cap screws and $\frac{1}{2}$ "-13 (N225 or TN225) channel nuts for the rated results.

Recommended Bolt Torque

| Bolt Size | $\frac{1}{4}$ "-20 | $\frac{5}{16}$ "-18 | $\frac{3}{8}$ "-16 | $\frac{1}{2}$ "-13 |
|-----------|--------------------|---------------------|--------------------|--------------------|
| Foot/Lbs. | 6 | 11 | 19 | 50 |
| Nm | 8 | 15 | 26 | 68 |

See chart on page 112 for setscrew torque.

Hardware

Nuts and bolts are not included with the fittings and must be ordered separately, unless noted.

Pre-Assembled Fittings

Some fittings are available with hex head cap screws and channel nuts pre-assembled. These fittings and finishes will be flagged using the following symbol.



Metric

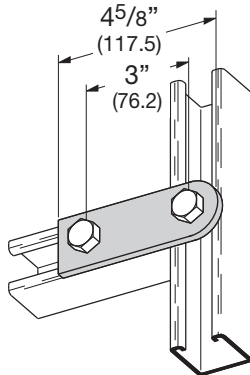
Metric dimensions are shown in parentheses. Unless noted, all metric dimensions are in millimeters.



Flat Plate Fittings

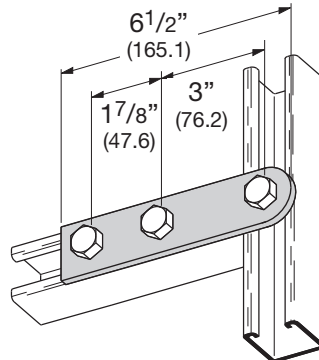
B138 TWO HOLE SWIVEL PLATE

- Standard finishes: ZN, GRN
- Wt./C 48 Lbs. (21.8 kg)



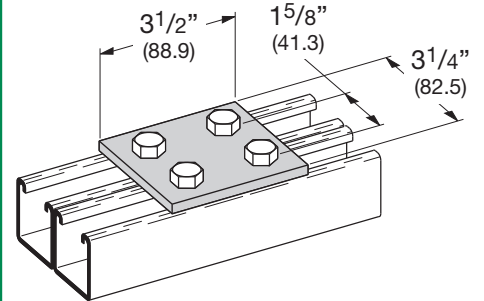
B139 THREE HOLE SWIVEL PLATE

- Standard finishes: ZN, GRN
- Wt./C 69 Lbs. (31.3 kg)



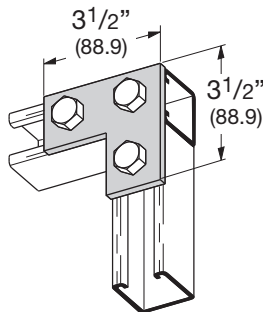
B504 FOUR HOLE SPLICE PLATE

- Standard finishes: ZN, GRN
- Wt./C 73 Lbs. (33.1 kg)



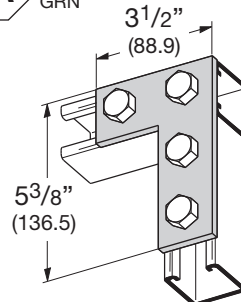
B140 THREE HOLE CORNER PLATE

- Standard finishes: ZN, GRN, HDG, SS4
- Wt./C 56 Lbs. (25.4 kg)



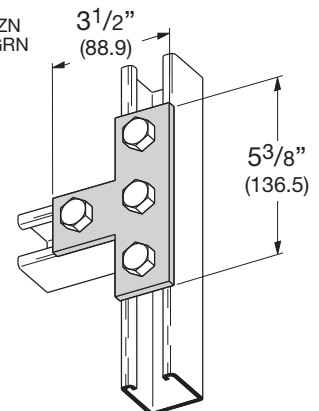
B143 FOUR HOLE CORNER PLATE

- Standard finishes: ZN, GRN, HDG, SS4
- Wt./C 75 Lbs. (34.0 kg)



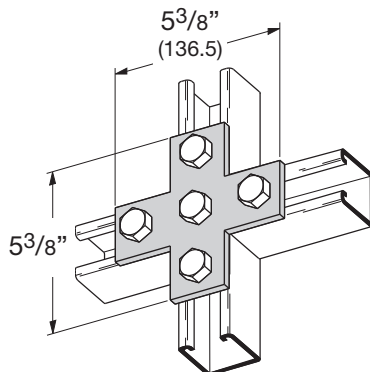
B133 FOUR HOLE TEE PLATE

- Standard finishes: ZN, GRN, HDG, SS4, AL
- Wt./C 75 Lbs. (34.0 kg)



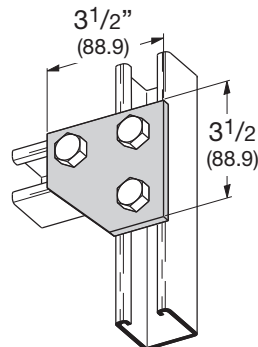
B132 FIVE HOLE CROSS PLATE

- Standard finishes: ZN, GRN, HDG
- Wt./C 100 Lbs. (45.3 kg)



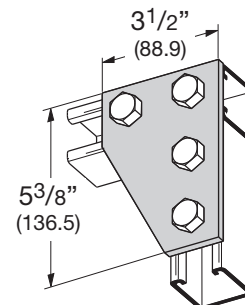
B135 THREE HOLE CORNER GUSSET PLATE

- Standard finishes: ZN, GRN
- Wt./C 70 Lbs. (31.7 kg)



B142 FOUR HOLE CORNER GUSSET PLATE

- Standard finishes: ZN, GRN, HDG
- Wt./C 102 Lbs. (46.2 kg)



PA Preassembled fitting.

Reference page 72 for general fitting and standard finish specifications.