

# Electrical Accessories

A complete system of top quality, time saving products, designed for surface metal raceways, lighting and cable supports. Innovative designs offer many installation advantages. B-Line's surface raceways are U.L. listed and meet the requirements of the National Electrical Code, Article 352.

## Surface Raceways

Our channel provides structural support in addition to a raceway system.

For U.L. wire fill see chart on page 230-231.

## Cable Supports

A full range of clamps and saddles are offered in porcelain, thermoplastic elastomer and maple. Our maple clamps, Insulclamp™ cable clamps and porcelain saddles are furnished complete with steel clamps (electro-plated) and Everdur hardware where required.

## Materials & Finishes\*

Steel products are made from low carbon steel strips or plates. Porcelain saddles and clamps are made by dry process and white glazed (porcelain dielectric strength is 50 volts per mil). Maple clamps are made from kiln-dried maple wood, paraffin impregnated.

Finish Code	Finish	Specification
PLN	Plain	ASTM A1011 33,000 PSI min. yield
ZN	Electro-Plated Zinc	ASTM B633 SC3 Type III
GRN	DURA-GREEN™	
GALV	Pre-Galvanized	ASTM B653
YZN	Yellow Zinc Chromate	ASTM B633 SC3 Type II

\*Unless otherwise noted.

## Design Load

Design load data published includes a Safety Factor of 3.0 (Safety Factor = Ratio of ultimate load to the design load).

U.L. listed raceway channels:

B11, B11KO6	B32, B32KO6
B12, B12KO6	B42, B42KO6
B22, B22KO6	B52, B52KO6
B24, B24KO6	B54, B54KO6
B26, B26KO6	B56, B56KO6

U.L. File No. E29637

In all cases, the snap-in closure strip is required to complete raceway enclosure.

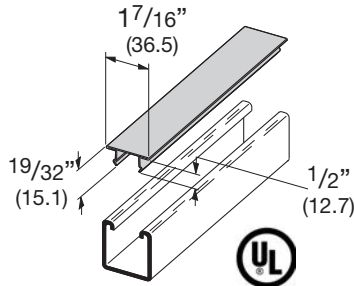
## Metric

Metric dimensions are shown in parentheses. Unless noted, all metric dimensions are in millimeters.



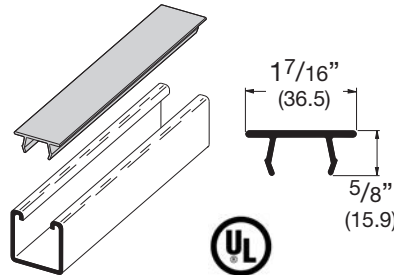
## B217-20 SNAP CLOSURE STRIP FOR ALL 1 5/8" (41.3) WIDE CHANNELS

- Refer to Raceway Fill Chart Pg. 214-215
- Material: 20 Gauge (.9)
- Standard finishes: GRN, GALV, YZN
- Standard length: 120" (3.05m)
- Wt./CFT 36 Lbs. (16.3 kg)



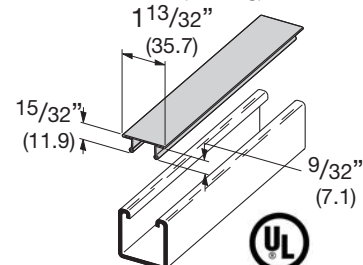
## B217P PLASTIC SNAP CLOSURE STRIP FOR ALL 1 5/8" (41.3) WIDE CHANNELS

- Refer to Raceway Fill Chart Pg. 214-215
- Standard finishes: Green (GRN) or Gray (GRY) Plastic
- Standard length: 120" (3.05m)
- Wt./CFT 9.2 Lbs. (4.2 kg)



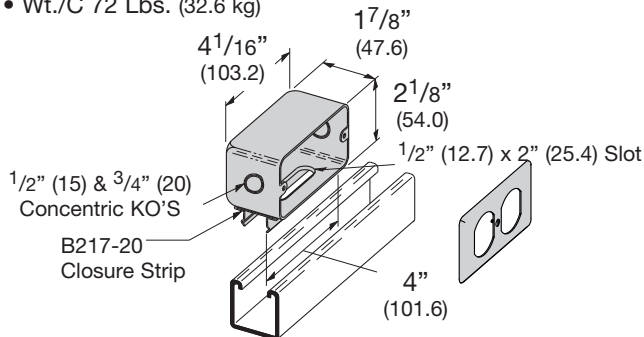
## B217-24 SNAP CLOSURE STRIP FOR ALL 1 5/8" (41.3) WIDE CHANNELS

- Refer to Raceway Fill Chart Pg. 214-215
- For use with 7 or fewer conductors no larger than #12 AWG
- Material: 24 Gauge (.6)
- Standard finishes: GRN, GALV, YZN
- Standard length: 120" (3.05m)
- Wt./CFT 28 Lbs. (12.7 kg)



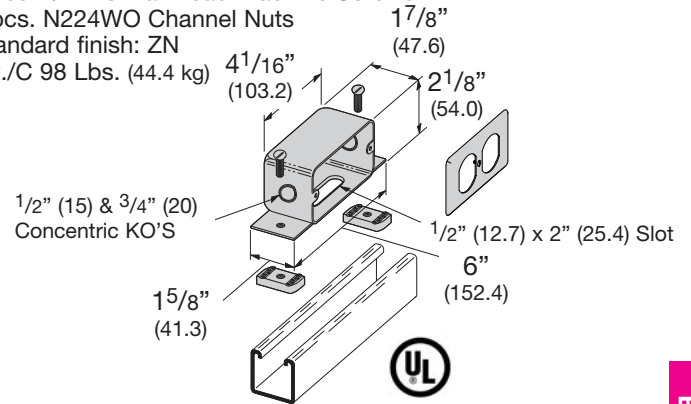
## B516 SNAP-IN OUTLET BOX

- Provided with #10-32 tapped hole for grounding strap
- Duplex cover plate included
- Receptacle not furnished
- Requires ground wire installation for use with UL listed channel raceway system
- Standard finish: GALV
- Wt./C 72 Lbs. (32.6 kg)



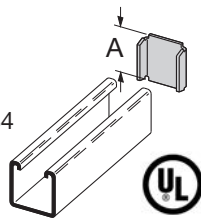
## B516S OUTLET BOX

- Duplex cover plate included
- Receptacle not furnished
- Includes:  
2 pcs. 1/4"-20 Flat Head Machine Screws  
2 pcs. N224WO Channel Nuts
- Standard finish: ZN
- Wt./C 98 Lbs. (44.4 kg)



## B203 THRU B206 B220 THRU B223 X TYPE END CAPS

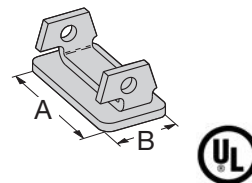
- Material: 12 Gauge (2.6)
- Standard finishes: ZN, GRN, HDG, SS4



Part No.	Use With	A	Wt./C	
			Lbs.	kg
B203	B42	1.015" (25.8)	6	(2.7)
B204	B54	.827" (21.0)	5	(2.2)
B205	B22	1.640" (41.6)	10	(4.5)
B206	B32	1.390" (35.3)	8	(3.6)
B220	B52	.827" (21.0)	4	(1.8)
B221	B12	2.452" (62.3)	15	(6.8)
B222	B11	3.265" (82.9)	20	(9.1)
B223	B24	1.640" (41.6)	10	(4.5)

## B283 THRU B286 END CAPS

- Material: 12 Gauge (2.6)
- Standard finishes: ZN, GRN



Part No.	Use With	A		B		Wt./C	
		Lbs.	kg	Lbs.	kg	Lbs.	kg
B283	B52	1 19/32" (40.5)		25/32" (19.8)		6	(2.7)
B284	B54 & B56	1 19/32" (40.5)		25/32" (19.8)		6	(2.7)
B285	B22	1 19/32" (40.5)		1 19/32" (40.5)		13	(5.9)
B286	B24 & B26	1 19/32" (40.5)		1 19/32" (40.5)		14	(6.3)

Reference page 162 for general fitting and standard finish specifications. U.L. Wire Fill Chart on pages 230 - 231.