

Armafix™ Clamps & Accessories

IPH SERIES INSERTS - INSERTS WITH CLAMPS

- Engineered load-bearing inserts prevents insulation compression
- Innovative insulated pipe support
- Desirable “Foam-to-Foam” Bond
- Slip Data: 45 lbs. (0.20 kN) max
- Recommended Clamp Torque: 12-15 in.-lbs. (1.3-1.7 Nm)
- Service Temperature Range
-58°F (-50°C) to +220°F (+105°C)



Insert Only



Assembly
Insert & Clamp

3/4" Wall Insulation Thickness

Assembly Part No.	Insert Only Part No.	Pipe/Copper/OD Size	Hanger Size*
IPH03834	IPH03834WO	3/8" O.D.	2"
IPH01234	IPH01234WO	1/2" O.D.	2"
IPH05834	IPH05834WO	5/8" O.D.	2"
IPH07834	IPH07834WO	7/8" O.D.	2 1/2"
IPH11834	IPH11834WO	3/4" IPS & 1 1/8" O.D.	2 1/2"
IPH13834	IPH13834WO	1 3/8" O.D.	3"
IPH15834	IPH15834WO	1 5/8" O.D.	3 1/2"
IPH11034	IPH11034WO	1 1/2" IPS & 1 7/8" O.D.	3 1/2"
IPH21834	IPH21834WO	2 1/8" O.D.	4"
IPH25834	IPH25834WO	2 5/8" O.D.	5"
IPH31834	IPH31834WO	3 1/8" O.D.	5"
IPH35834	IPH35834WO	3 5/8" O.D.	6"
IPH41834	IPH41834WO	4 1/8" O.D.	6"
IPH40034	IPH40034WO	4" IPS	6"
IPH50034	IPH50034WO	5" IPS	8"
IPH60034	IPH60034WO	6" IPS	10"
IPH80034	IPH80034WO	8" IPS	12"

* Recommended pipe hanger size for insulation thickness shown. (Order hanger separately)

IPH18230 ARMAFLEX®† INSULATION TAPE

- 30 ft. (9.14 M) roll



†Armaflex® is a registered trademark of Armacell.

1/2" Wall Insulation Thickness

Assembly Part No.	Insert Only Part No.	Pipe/Copper/OD Size	Hanger Size*
IPH03812	IPH03812WO	3/8" O.D.	1 1/4"
IPH01212	IPH01212WO	1/2" O.D.	1 1/4"
IPH05812	IPH05812WO	5/8" O.D.	1 1/2"
IPH03412	IPH03412WO	3/4" O.D.	1 1/2"
IPH07812	IPH07812WO	7/8" O.D.	2"
IPH11812	IPH11812WO	3/4" IPS & 1 1/8" O.D.	2"
IPH13812	IPH13812WO	1 3/8" O.D.	2 1/2"
IPH15812	IPH15812WO	1 5/8" O.D.	2 1/2"
IPH11012	IPH11012WO	1 1/2" IPS & 1 7/8" O.D.	3"
IPH21812	IPH21812WO	2 1/8" O.D.	3"
IPH25812	IPH25812WO	2 5/8" O.D.	3 1/2"
IPH31812	IPH31812WO	3 1/8" O.D.	4"
IPH35812	IPH35812WO	3 5/8" O.D.	5"
IPH41812	IPH41812WO	4 1/8" O.D.	6"
IPH40012	IPH40012WO	4" IPS	6"
IPH50012	IPH50012WO	5" IPS	8"
IPH60012	IPH60012WO	6" IPS	8"

* Recommended pipe hanger size for insulation thickness shown. (Order hanger separately)

1" Wall Insulation Thickness

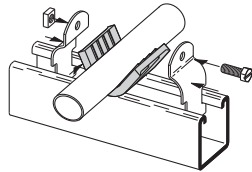
Assembly Part No.	Insert Only Part No.	Pipe/Copper/OD Size	Hanger Size*
IPH05810	IPH05810WO	5/8" O.D.	2 1/2"
IPH03410	IPH03410WO	3/4" O.D.	2 1/2"
IPH07810	IPH07810WO	7/8" O.D.	3"
IPH11810	IPH11810WO	3/4" IPS & 1 1/8" O.D.	3"
IPH13810	IPH13810WO	1 3/8" O.D.	3 1/2"
IPH15810	IPH15810WO	1 5/8" O.D.	3 1/2"
IPH11010	IPH11010WO	1 1/2" IPS & 1 7/8" O.D.	4"
IPH21810	IPH21810WO	2 1/8" O.D.	4"
IPH25810	IPH25810WO	2 5/8" O.D.	5"
IPH31810	IPH31810WO	3 1/8" O.D.	5"
IPH35810	IPH35810WO	3 5/8" O.D.	6"
IPH41810	IPH41810WO	4 1/8" O.D.	6"
IPH40010	IPH40010WO	4" IPS	8"
IPH50010	IPH50010WO	5" IPS	8"
IPH60010	IPH60010WO	6" IPS	10"
IPH80010	IPH80010WO	8" IPS	12"

* Recommended pipe hanger size for insulation thickness shown. (Order hanger separately)

Reference page 126 for general fitting and standard finish specifications.

B1999 VIBRA CUSHION™

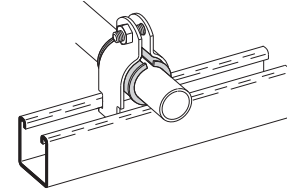
- Packaged 20 Ft. (6.09 m) per carton
- Ideal Isolation Material
- Inhibits Galvanic Corrosion
- Dampens Sound and Vibrations
- Service Temperature Range -75°F (-60°C) to +375°F (+199°C)
- Wt./Carton 3.8 Lbs. (1.7 kg)



FEATURES

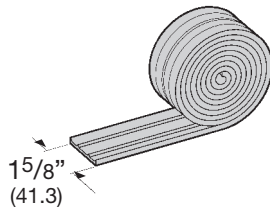
Virba Cushion™ is designed for use with refrigeration lines, HVAC, copper tubing, glass pipe and hydraulic lines. It provides an energy-absorption barrier between the lines and the mounting material and remains flexible thru its entire service range of -75°F (-60°C) to +375°F (+199°C).

This elastomer allows for expansion and contraction within the mounting system and prevents galvanic reaction between dissimilar metals.



FOR RIGID CONDUIT OR IRON PIPE

Nominal Size	Length of Vibra-Cushion	Use Clamp No.
3/8"	(10) 21/8" (54.0)	B2002
1/2"	(15) 25/8" (66.7)	B2009
3/4"	(20) 31/4" (82.5)	B2031
1"	(25) 41/8" (104.8)	B2004
1 1/4"	(32) 53/16" (131.8)	B2012
1 1/2"	(40) 515/16" (150.8)	B2038
2"	(50) 71/2" (190.5)	B2042
2 1/2"	(65) 9" (228.6)	B2046
3"	(80) 11" (279.4)	B2051
3 1/2"	(90) 12 1/2" (317.5)	B2055
4"	(100) 14 1/2" (368.3)	B2059
5"	(125) 17 7/16" (442.9)	B2067
6"	(150) 20 3/4" (527.0)	B2116



FOR THINWALL (EMT) CONDUIT

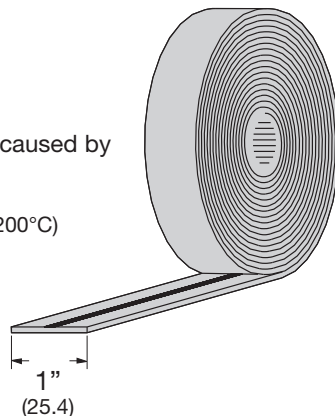
Nominal Size	Length of Vibra-Cushion	Use Clamp No.
3/8"	(10) 1 13/16" (46.0)	B2027
1/2"	(15) 2 13/16" (58.7)	B2002
3/4"	(20) 2 7/8" (73.0)	B2003
1"	(25) 3 5/8" (92.1)	B2032
1 1/4"	(32) 4 3/8" (120.6)	B2036
1 1/2"	(40) 5 7/16" (138.1)	B2012
2"	(50) 6 7/8" (174.6)	B2013

FOR COPPER TUBING TYPE L & K

Nominal Size	Length of Vibra-Cushion	Use Clamp No.
1/4"	(6) 13/16" (30.2)	B2026
3/8"	(10) 19/16" (39.7)	B2027
1/2"	(15) 17/8" (47.6)	B2008
5/8"	(17) 25/16" (58.7)	B2029
3/4"	(20) 2 3/4" (69.8)	B2030
1"	(25) 3 1/2" (88.9)	B2032
1 1/4"	(32) 4 5/16" (109.5)	B2011
1 1/2"	(40) 5 1/8" (130.2)	B2036
2"	(50) 6 11/16" (169.9)	B2013
2 1/2"	(65) 8 1/4" (209.5)	B2014
3"	(80) 9 13/16" (249.2)	B2048
3 1/2"	(90) 11 3/8" (288.9)	B2052
4"	(100) 12 15/16" (328.6)	B2056
5"	(125) 16 1/8" (409.6)	B2064
6"	(150) 19 1/4" (488.9)	B2112
8"	(200) 25 1/2" (647.7)	B2128

ISO PIPE

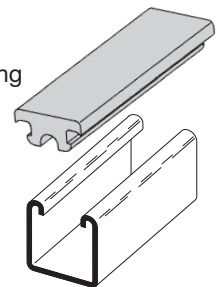
- Non-adhesive rubber tape
- Fuses to itself
- Water resistant
- Ideal Isolation Material
- Prevents galvanic reaction caused by dissimilar metal contact
- Temperature Range -140°F (-60°C) to +395°F (+200°C)



Part No.	Thickness In.	Thickness mm	Ft./Roll Ft.	Ft./Roll m
ISO	.020	(0.5)	36	(11)

BVS Type - Vibra Strip™ for 15/8" (41.3) wide B-Line channel

- Fits securely in 15/8" wide channel
- Temperature range: -20°F to 212°F
- Ideal Isolation & Vibration Dampening Qualities
- 45 durometer hardness
- Material: Neoprene



Part No.	Max. Load Lbs. per Lineal In.	Max. Load Lbs. kg/25.4 mm	Length	Std. Pkg.	Wt. Each Lbs. kg
BVS-12	40	(18.1)	12" (304.8)	25	.46 (.21)
BVS-120	40	(18.1)	120" (3048.0)	25	4.60 (2.08)

Reference page 126 for general fitting and standard finish specifications.