

Pipe/Conduit Clamps & Hangers

Our beam attachments and pipe supports offered in this section are designed to provide supports without drilling or welding. A complete selection of beam clamps, pipe clamps, rollers, supports and accessories are designed for use with our channels and offer many installation advantages.

Materials & Finishes*

Pipe clamps, pipe hangers, beam clamps, brackets, and rollers are made from low carbon steel strips, plates or rod unless noted.

Finish Code	Finish	Specification
PLN	Plain	ASTM A1011 33,000 PSI min. yield
ZN	Electro-Plated Zinc	ASTM B633 SC3 Type III or ASTM A653
GRN	DURA-GREEN™	
DCU	DURA-COPPER™	
HDG	Hot-Dipped Galvanized	ASTM A123
YZN	Yellow Zinc Chromate	ASTM B633 SC3 Type II
SS4	Stainless Steel Type 304	ASTM A240
SS6	Stainless Steel Type 316	ASTM A240
AL	Aluminum	ASTM B209

*Unless otherwise noted.

Load Data

The load data published includes a safety factor of 5.0 unless noted (safety factor = ratio of ultimate load to the design load).

Recommended Torque For Setscrews (unless noted)

Setscrew Size	1/4"-20	3/8"-16	1/2"-13
Foot/Lbs.	4	5	11
Nm	5	7	15

Setscrew Size	5/8"-11	3/4"-10
Foot/Lbs.	21	34
Nm	28	46

*See chart on page 72 for bolt torque.

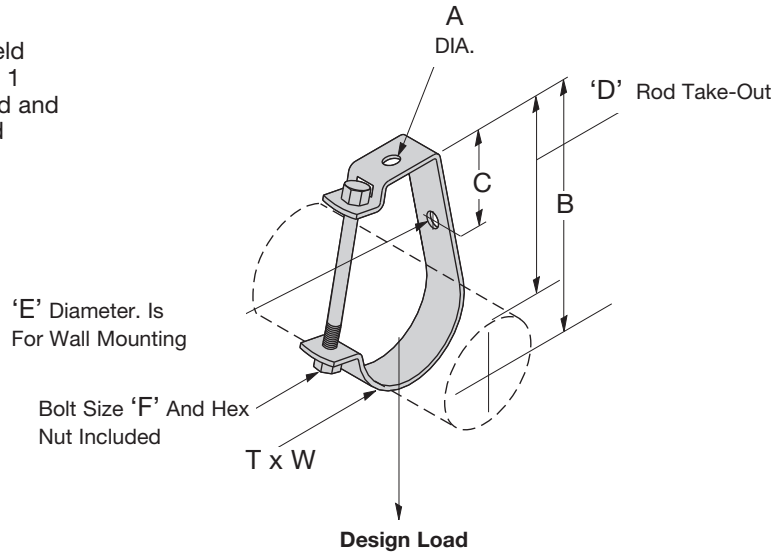
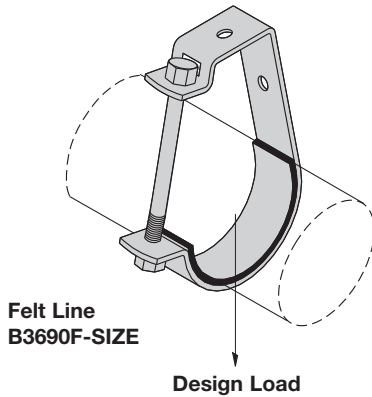
Metric

Metric dimensions are shown in parentheses. Unless noted, all metric dimensions are in millimeters.



B3690 SERIES ADJUSTABLE J HANGER

- Safety Factor of 5
- Material:
 - 12 Ga. (2.6) ASTM A1011 33,000 PSI min. yield
 - 11 Ga. (3.0) ASTM A1011 HSLA Gr. 50 Class 1
 - 7 Ga. (4.5) ASTM A1011 33,000 PSI min. yield and
 - 1/4" (6.3) ASTM A1018 33,000 PSI min. yield
- Standard finish: ZN



Part No.	Pipe or Conduit Size		A		B		C		D		E		F
B3690-1/2	1/2"	(15)	13/32"	(10.3)	2 ³ /32"	(53.2)	1"	(25.4)	1 ¹¹ /16"	(42.5)	13/32"	(10.3)	1/4"-20 x 2 ¹ /4"
B3690-3/4	3/4"	(20)	13/32"	(10.3)	2 ¹¹ /32"	(59.5)	1"	(25.4)	1 ¹³ /16"	(46.2)	13/32"	(10.3)	1/4"-20 x 2 ¹ /2"
B3690-1	1"	(25)	13/32"	(10.3)	2 ¹⁹ /32"	(65.9)	1"	(25.4)	1 ¹⁵ /16"	(49.2)	13/32"	(10.3)	1/4"-20 x 2 ³ /4"
B3690-1 ¹ / ₄	1 ¹ / ₄ "	(32)	13/32"	(10.3)	2 ¹³ /16"	(71.4)	1"	(25.4)	2"	(50.4)	13/32"	(10.3)	1/4"-20 x 3"
B3690-1 ¹ / ₂	1 ¹ / ₂ "	(40)	13/32"	(10.3)	3 ¹ /16"	(77.8)	1"	(25.4)	2 ¹ / ₈ "	(53.7)	13/32"	(10.3)	1/4"-20 x 3 ¹ / ₄ "
B3690-2	2"	(50)	13/32"	(10.3)	3 ¹ / ₂ "	(88.9)	1"	(25.4)	2 ⁵ /16"	(58.7)	13/32"	(10.3)	1/4"-20 x 3 ¹ / ₂ "
B3690-2 ¹ / ₂	2 ¹ / ₂ "	(65)	9/16"	(14.3)	4 ⁷ /16"	(112.7)	1"	(25.4)	3"	(76.2)	9/16"	(14.3)	3/8"-16 x 4 ¹ / ₂ "
B3690-3	3"	(80)	9/16"	(14.3)	4 ⁷ / ₈ "	(123.8)	1"	(25.4)	3 ¹ / ₈ "	(79.4)	9/16"	(14.3)	3/8"-16 x 5"
B3690-3 ¹ / ₂	3 ¹ / ₂ "	(90)	9/16"	(14.3)	5 ³ /16"	(131.8)	1"	(25.4)	3 ³ /16"	(81.0)	9/16"	(14.3)	3/8"-16 x 5 ¹ / ₂ "
B3690-4	4"	(100)	1 ¹ / ₁₆ "	(17.5)	6 ¹ / ₈ "	(155.6)	1 ¹ / ₄ "	(31.8)	3 ⁷ / ₈ "	(98.4)	9/16"	(14.3)	3/8"-16 x 6 ¹ / ₂ "
B3690-5	5"	(125)	1 ¹ / ₁₆ "	(17.5)	6 ³ / ₄ "	(171.4)	1 ¹ / ₂ "	(38.1)	4"	(100.8)	9/16"	(14.3)	3/8"-16 x 7 ¹ / ₂ "
B3690-6	6"	(150)	1 ³ / ₁₆ "	(20.6)	7 ³ / ₄ "	(196.8)	1 ³ / ₁₆ "	(30.2)	4 ⁷ / ₁₆ "	(112.7)	9/16"	(14.3)	3/8"-16 x 8 ¹ / ₂ "
B3690-8	8"	(200)	1 ³ / ₁₆ "	(20.6)	9 ¹ / ₄ "	(235.0)	1"	(25.4)	4 ¹⁵ / ₁₆ "	(125.4)	9/16"	(14.3)	3/8"-16 x 10 ¹ / ₂ "

Part No.	T	W	Design Load		Wt./C	
			Lbs.	kN	Lbs.	kg
B3690-1/2	12 Ga. (2.6)	3/4" (19.0)	400	(1.78)	20	(9.1)
B3690-3/4	12 Ga. (2.6)	3/4" (19.0)	400	(1.78)	23	(10.4)
B3690-1	12 Ga. (2.6)	3/4" (19.0)	400	(1.78)	24	(10.9)
B3690-1 ¹ / ₄	12 Ga. (2.6)	3/4" (19.0)	400	(1.78)	27	(12.2)
B3690-1 ¹ / ₂	12 Ga. (2.6)	3/4" (19.0)	400	(1.78)	29	(13.1)
B3690-2	12 Ga. (2.6)	3/4" (19.0)	400	(1.78)	32	(14.5)
B3690-2 ¹ / ₂	11 Ga. (3.0)	1 ¹ / ₄ " (31.7)	800	(3.56)	71	(32.2)
B3690-3	11 Ga. (3.0)	1 ¹ / ₄ " (31.7)	800	(3.56)	77	(34.9)
B3690-3 ¹ / ₂	11 Ga. (3.0)	1 ¹ / ₄ " (31.7)	800	(3.56)	84	(38.1)
B3690-4	7 Ga. (4.5)	1 ¹ / ₄ " (31.7)	800	(3.56)	139	(63.0)
B3690-5	7 Ga. (4.5)	1 ¹ / ₄ " (31.7)	800	(3.56)	166	(75.3)
B3690-6	1/4" (6.3)	1 ¹ / ₄ " (31.7)	1000	(4.45)	226	(102.5)
B3690-8	1/4" (6.3)	1 ¹ / ₂ " (38.1)	1200	(5.34)	332	(150.6)

Reference page 126 for general fitting and standard finish specifications.