

Beam Clamps

Our beam attachments and pipe supports offered in this section are designed to provide supports without drilling or welding. A complete selection of beam clamps, pipe clamps, rollers, supports and accessories are designed for use with B-Line channels and offer many installation advantages.

Materials & Finishes (Unless otherwise noted)

Pipe clamps, pipe hangers, beam clamps, brackets, and rollers are made from low carbon steel strips, plates or rod unless noted.

Finish Code	Finish	Specification
PLN	Plain	ASTM A1018 Gr. 33 ASTM A1011 SS Grade 33
ZN	Electro-Plated Zinc	ASTM B633 SC3 Type III or ASTM A653
GRN	DURA-GREEN™	
-	Malleable Iron	ASTM A47 Gr. 32510
HDG	Hot-Dipped Galvanized	ASTM A123
CZ	Chromium Zinc	ASTM F1136
SS4	Stainless Steel Type 304	ASTM A240
SS6	Stainless Steel Type 316	ASTM A240
AL	Aluminum	ASTM B209

Note: A minimum order may apply on special material and finishes.

Load Data

The load data published includes a safety factor of 5.0 unless noted (safety factor = ratio of ultimate load to the design load).

Recommended Torque For Setscrews (unless noted)

Setscrew Size	1/4"-20	3/8"-16	1/2"-13
Foot/Lbs.	4	5	11
Nm	5	7	15

Setscrew Size	5/8"-11	3/4"-10
Foot/Lbs.	21	34
Nm	28	46

See chart on page 72 for bolt torque.

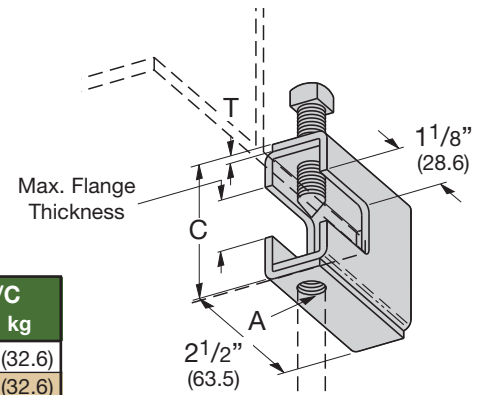
Metric

Metric dimensions are shown in parentheses. Unless noted, all metric dimensions are in millimeters.



B303 THRU B309 BEAM CLAMPS

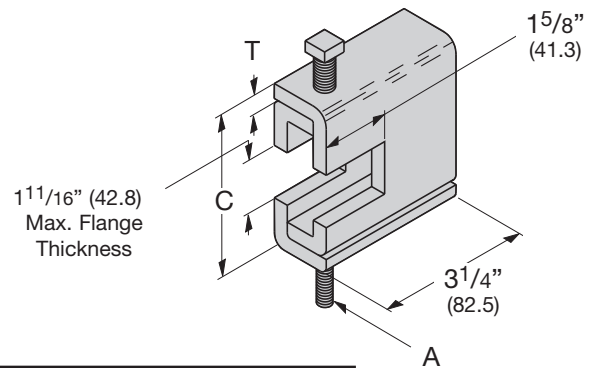
- Safety Factor of 5
- Max. Flange Thickness $\frac{1}{16}$ " (1.6) thru $\frac{7}{8}$ " (22.2)
- Setscrew included
- When Retaining Strap is required, order B312 separately
- Recommended Setscrew Torque: $\frac{3}{8}$ "-16 150 in-lbs. (16.9 N•m)
 $\frac{1}{2}$ "-13 350 in-lbs. (39.5 N•m)
- Standard finishes: ZN, HDG



Part No.	Rod Size A	Set Screw	C	T	Design Load		Wt./C	
					Lbs.	kN	Lbs.	kg
B303	$\frac{1}{4}$ "-20	$\frac{3}{8}$ "-16	$2\frac{5}{16}$ " (58.7)	11 Ga. (3.0)	400 (1.78)	72 (32.6)		
B304	$\frac{5}{16}$ "-18	$\frac{3}{8}$ "-16	$2\frac{5}{16}$ " (58.7)	11 Ga. (3.0)	600 (2.67)	72 (32.6)		
B305	$\frac{3}{8}$ "-16	$\frac{3}{8}$ "-16	$2\frac{5}{16}$ " (58.7)	11 Ga. (3.0)	600 (2.67)	72 (32.6)		
B306	$\frac{3}{8}$ "-16	$\frac{1}{2}$ "-13	$2\frac{7}{16}$ " (61.9)	7 Ga. (4.5)	1100 (4.89)	97 (44.0)		
B307	$\frac{1}{2}$ "-13	$\frac{1}{2}$ "-13	$2\frac{7}{16}$ " (61.9)	7 Ga. (4.5)	1100 (4.89)	97 (44.0)		
B308	$\frac{1}{2}$ "-13	$\frac{1}{2}$ "-13	$2\frac{9}{16}$ " (65.1)	$\frac{1}{4}$ " (6.3)	1500 (6.67)	133 (60.3)		
B309	$\frac{5}{8}$ "-11	$\frac{1}{2}$ "-13	$2\frac{9}{16}$ " (65.1)	$\frac{1}{4}$ " (6.3)	1500 (6.67)	133 (60.3)		

B321 SERIES BEAM CLAMPS

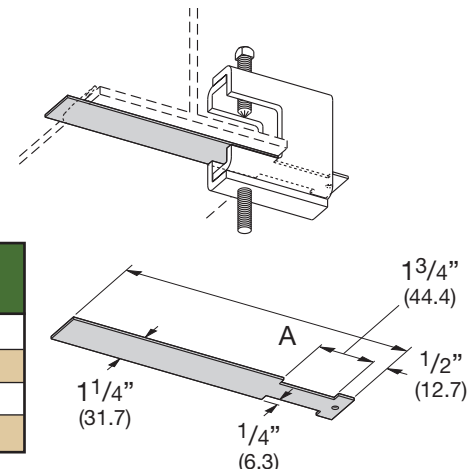
- Safety Factor of 5
- $1\frac{1}{16}$ " (42.8) Max. Flange Thickness
- Setscrew included
- When Retaining Strap is required, order B312 separately
- Recommended Setscrew Torque: $\frac{1}{2}$ "-13 350 in-lbs. (39.5 N•m)
 $\frac{5}{8}$ "-11 700 in-lbs. (79.0 N•m)
- Minimum flange thickness: B321-1 thru B321-3 $\frac{1}{4}$ " (6.3)
B321-4 and B321-5 $\frac{3}{8}$ " (9.5)
- Standard finishes: ZN, HDG



Part No.	Rod Size A	Setscrew	C	T	Design Load		Wt./C	
					Lbs.	kN	Lbs.	kg
B321-1	$\frac{3}{8}$ "-16	$\frac{1}{2}$ "-13	$3\frac{9}{16}$ " (92.1)	$\frac{1}{4}$ " (6.3)	1300 (5.78)	187 (84.8)		
B321-2	$\frac{1}{2}$ "-13	$\frac{1}{2}$ "-13	$3\frac{9}{16}$ " (92.1)	$\frac{1}{4}$ " (6.3)	1400 (6.23)	186 (84.3)		
B321-3	$\frac{5}{8}$ "-11	$\frac{1}{2}$ "-13	$3\frac{9}{16}$ " (92.1)	$\frac{1}{4}$ " (6.3)	1600 (7.12)	185 (83.9)		
B321-4	$\frac{5}{8}$ "-11	$\frac{5}{8}$ "-11	$3\frac{23}{32}$ " (94.4)	$\frac{5}{16}$ " (7.9)	1800 (8.00)	239 (108.4)		
B321-5	$\frac{3}{4}$ "-10	$\frac{5}{8}$ "-11	$3\frac{23}{32}$ " (94.4)	$\frac{5}{16}$ " (7.9)	2000 (8.89)	238 (107.9)		

B312 SERIES RETAINING STRAP FOR USE WITH B303 THRU B309 AND B321 SERIES

- $\frac{3}{4}$ " (19.0) Max. Flange Thickness
- For thicker beams, step up one flange width size
- Material: 14 Gauge (1.9)
- Standard finishes: GALV, HDG



Part No.	For Flange Width		A	Wt./C	
	Lbs.	kg		Lbs.	kg
B312-6	6"	(152.4)	9"	(228.6)	22 (10.0)
B312-9	9"	(228.6)	12"	(304.8)	30 (13.6)
B312-12	12"	(304.8)	15"	(381.0)	40 (18.1)
B312-15	15"	(381.0)	18"	(457.2)	49 (22.2)

Reference page 112 for general fitting and standard finish specifications.