

Pipe Hangers

B3100 - Standard Clevis Hanger (TOLCO Fig.1)

SLIDE-RITE™ Clevis Hanger Features

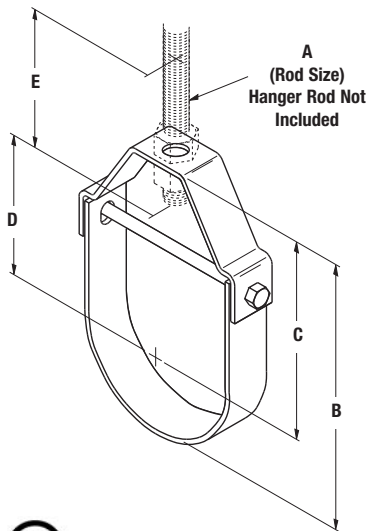
Pipe will not 'pinch' when installing.

15° swing in either direction allows pipe to easily feed thru.

Engineered design aligns bolt holes for quicker overhead installation.

*SLIDE-RITE™ Clevis Hanger design, as shown below, for sizes 2, 2½, 3, 4, 5 & 6.

Pat. No. 5,848,770
5,924,655



Component of State of California OSHPD Approved Seismic Restraints System

- B Bottom of pipe to top of hanger.
- C Center of pipe to top of hanger.
- D Rod Take-Out Center of pipe to bottom of hanger rod.
- E Minimum thread length of hanger rod
- F Adjustment Top of cross bolt to bottom of hanger rod nut inside the hanger.



Pipe Hangers

Part No.	Nominal Pipe Size		Rod Size A		B		C		D	
	in.	(mm)	Std	NFPA**	in.	(mm)	in.	(mm)	in.	(mm)
B3100-1/2	1/2"	(15)	3/8"-16	3/8"-16	2 1/8"	(54.0)	1 3/4"	(44.4)	1 5/16"	(23.8)
B3100-3/4	3/4"	(20)	3/8"-16	3/8"-16	2 1/2"	(63.5)	2"	(50.8)	1 1/8"	(28.6)
B3100-1	1"	(25)	3/8"-16	3/8"-16	2 7/8"	(73.0)	2 1/4"	(57.1)	1 3/8"	(34.9)
B3100-1 1/4	1 1/4"	(32)	3/8"-16	3/8"-16	3 1/2"	(88.9)	2 11/16"	(68.2)	1 13/16"	(46.0)
B3100-1 1/2	1 1/2"	(40)	3/8"-16	3/8"-16	4"	(101.6)	3 1/16"	(77.8)	2 1/4"	(57.1)
B3100-2 *	2"	(50)	3/8"-16	3/8"-16	4 1/2"	(114.3)	3 5/16"	(84.1)	2 1/2"	(63.5)
B3100-2 1/2 *	2 1/2"	(65)	1/2"-13	3/8"-16	5 3/8"	(136.5)	3 15/16"	(100.0)	3 1/16"	(77.8)
B3100-3 *	3"	(80)	1/2"-13	3/8"-16	6 1/2"	(165.1)	4 3/4"	(120.6)	3 15/16"	(100.0)
B3100-3 1/2	3 1/2"	(90)	1/2"-13	3/8"-16	7 1/4"	(184.1)	5 1/4"	(133.3)	4 1/16"	(103.2)
B3100-4 *	4"	(100)	5/8"-11	3/8"-16	7 3/4"	(196.8)	5 1/2"	(139.7)	5 1/2"	(139.7)
B3100-5 *	5"	(125)	5/8"-11	1/2"-13	8 3/4"	(222.2)	6 1/8"	(155.6)	6"	(152.4)
B3100-6 *	6"	(150)	3/4"-10	1/2"-13	10 5/16"	(261.9)	6 15/16"	(176.2)	7"	(177.8)
B3100-8	8"	(200)	3/4"-10	1/2"-13	12 3/4"	(323.8)	8 7/16"	(214.3)	7 1/8"	(181.0)
B3100-10	10"	(250)	7/8"-9	5/8"-11	15 1/8"	(384.2)	9 3/4"	(247.6)	8 3/8"	(212.7)
B3100-12	12"	(300)	7/8"-9	5/8"-11	17 1/2"	(444.5)	11 1/8"	(282.6)	9 1/16"	(246.1)
B3100-14	14"	(350)	1"-8	--	19 3/8"	(492.1)	12 3/8"	(314.3)	10 5/8"	(269.9)
B3100-16	16"	(400)	1"-8	--	21 3/8"	(542.9)	13 3/8"	(339.7)	11 9/16"	(293.7)
B3100-18	18"	(450)	1"-8	--	25"	(635.0)	16"	(406.4)	14 3/16"	(360.3)
B3100-20	20"	(500)	1 1/4"-7	--	28 3/4"	(730.2)	17 3/4"	(450.8)	16 5/8"	(422.3)
B3100-24	24"	(600)	1 1/4"-7	--	32 3/4"	(831.8)	19 3/4"	(501.6)	18 5/8"	(473.1)
B3100-30	30"	(750)	1 1/4"-7	--	39 15/16"	(1014.4)	24 15/16"	(633.4)	22 3/4"	(577.8)
B3100-36	36"	(900)	1 1/4"-7	--	46"	(1168.4)	28"	(711.2)	25"	(635.0)

All dimensions in charts and on drawings are in inches. Dimensions shown in parentheses are in millimeters unless otherwise specified.

B3100 - Standard Clevis Hanger (TOLCO Fig.1)

Component of State of California OSHPD Approved Seismic Restraints System

Size Range: 1/2" (15mm) to 36" (900mm)

Material: Steel

Function: Recommended for the suspension of non-insulated pipe or insulated pipe with a B3151 shield.

Note: When an oversized clevis is used, a pipe spacer should be placed over the cross bolt to assure that the lower U-strap will not move in on the bolt. When attaching seismic bracing to the clevis hangers, a B3100PS (cross bolt spacer) must be installed. See Seismic Restraints Approval Guidelines.

Order pipe sleeves Fig. 1CBS-(pipe size) separately.

Approvals: Included in our Seismic Restraints Catalog approved by the State of California Office of Statewide Health Planning and Development (OSHPD). For additional load, spacing and placement information relating to OSHPD projects, please refer to the B-Line/TOLCO Seismic Restraint Systems Guidelines. Underwriter's Laboratories Listed in the USA (UL) and Canada (cUL) for sizes 3/4" (20mm) thru 12" (300mm). Factory Mutual Engineering Approved (FM) for 3/4" (20mm) thru 12" (300mm) pipe. Conforms to Federal Specification WW-H-171E & A-A-1192A, Type 1 and Manufacturers Standardization Society ANSI/MSS SP-69 & SP-58, Type 1. Also available to accommodate rod schedule per per National Fire Protection Association (NFPA) Pamphlet 13.

Maximum Temperature: 650°F (343°C).

Standard Finish: Plain, Electro-Galvanized, DURA-GREEN™, or Hot-Dip Galvanized also available in Stainless Steel



Order By: Part number and finish.

For AWWA - Ductile Iron Clevis Hangers, see B3102, page 51.

**** Note:** Do not use the dimensions shown in the B3100 chart for NFPA hanger sizes. Contact B-Line for NFPA rod sizing on 1/2" (15mm) thru 12" (300mm) pipe. Part numbers will be 1NFPA-pipe size.

Part No.	E		Adjustment F		Design Load		Approx. Wt./100	
	in.	(mm)	in.	(mm)	Lbs.	(kN)	Lbs.	(kg)
B3100-1/2	2 1/2"	(63.5)	7/16"	(11.1)	730	(3.25)	25	(11.3)
B3100-3/4	2 1/2"	(63.5)	1/2"	(12.7)	730	(3.25)	29	(13.1)
B3100-1	2 1/2"	(63.5)	5/8"	(15.9)	730	(3.25)	35	(15.9)
B3100-1 1/4	2 1/2"	(63.5)	7/8"	(22.2)	730	(3.25)	40	(18.1)
B3100-1 1/2	2 1/2"	(63.5)	1 3/16"	(30.2)	730	(3.25)	42	(19.0)
B3100-2 *	2 1/2"	(63.5)	1 5/8"	(41.3)	730	(3.25)	52	(23.6)
B3100-2 1/2 *	2 1/2"	(63.5)	2"	(50.8)	1350	(6.00)	90	(40.8)
B3100-3 *	2 1/2"	(63.5)	2"	(50.8)	1350	(6.00)	110	(49.9)
B3100-3 1/2	2 1/2"	(63.5)	2"	(50.8)	1350	(6.00)	142	(64.4)
B3100-4 *	2 1/2"	(63.5)	2"	(50.8)	1430	(6.36)	132	(59.9)
B3100-5 *	2 1/2"	(63.5)	2"	(50.8)	1430	(6.36)	215	(97.5)
B3100-6 *	3"	(76.2)	2"	(50.8)	1940	(8.63)	320	(145.1)
B3100-8	3 1/2"	(88.9)	2 5/16"	(58.7)	2000	(8.89)	485	(220.0)
B3100-10	3 1/2"	(88.9)	2 5/16"	(58.7)	3600	(16.01)	846	(383.7)
B3100-12	3 1/2"	(88.9)	2 5/8"	(66.7)	3800	(16.90)	1083	(491.2)
B3100-14	4"	(101.6)	2 7/8"	(73.0)	4200	(18.68)	1432	(649.5)
B3100-16	4"	(101.6)	2 11/16"	(68.3)	4600	(20.46)	2200	(997.9)
B3100-18	4 1/2"	(114.3)	3 15/16"	(100.0)	4800	(21.35)	2500	(1134.0)
B3100-20	5"	(127.0)	5 3/8"	(136.5)	4800	(21.35)	4400	(1995.8)
B3100-24	5"	(127.0)	5 3/8"	(136.5)	4800	(21.35)	5000	(2268.0)
B3100-30	5"	(127.0)	6 1/4"	(158.7)	6000	(26.69)	6600	(2993.7)
B3100-36	5"	(127.0)	5 7/16"	(138.1)	6000	(26.69)	8474	(3843.8)

*SLIDE-RITE™ Clevis Hanger design, as shown above, for sizes 2, 2 1/2, 3, 4, 5 & 6.

All dimensions in charts and on drawings are in inches. Dimensions shown in parentheses are in millimeters unless otherwise specified.