

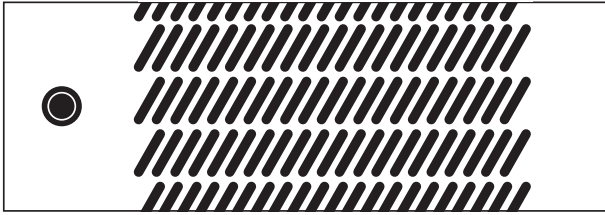


A Marley Engineered Products Brand

470 Beauty Spot Rd. E, Bennettsville, SC 29512

# SUBMITTAL SHEET WHT500 SERIES UTILITY WELL HOUSE HEATERS

WHT500 - UTILITY WELL HOUSE HEATER



CAPACITIES
376 or 500 WATTS
120, 208 or 240V 1Ø ONLY



JOB NAME: \_\_\_\_\_

LOCATION: \_\_\_\_\_

ARCHITECT: \_\_\_\_\_

ENGINEER: \_\_\_\_\_

CONTRACTOR: \_\_\_\_\_

SUBMITTED BY: \_\_\_\_\_

DATE: \_\_\_\_\_

ITEM	QTY.	CATALOG NUMBER	TAG	WATTS	VOLTS	PHASE Ø	AMPS	BUILT-IN THERMOSTAT

## ARCHITECT'S & ENGINEER'S SPECIFICATIONS\*

Furnish and install, where indicated on plans, electric heater suitable for well house freeze protection as manufactured by Berko, A Marley Engineered Products Brand, Bennettsville, SC. Heaters shall be cULus Listed.

**ENCLOSURE:** The heater shall be fabricated of 24-gauge galvanized steel, completely welded, then coated with a corrosive resistant neutral grey polyester powder paint coating.

**HEATING ELEMENT:** The heating element shall be of non-glowing design consisting of special resistance wire enclosed in a steel sheath to which aluminum fins are mechanically crimped..

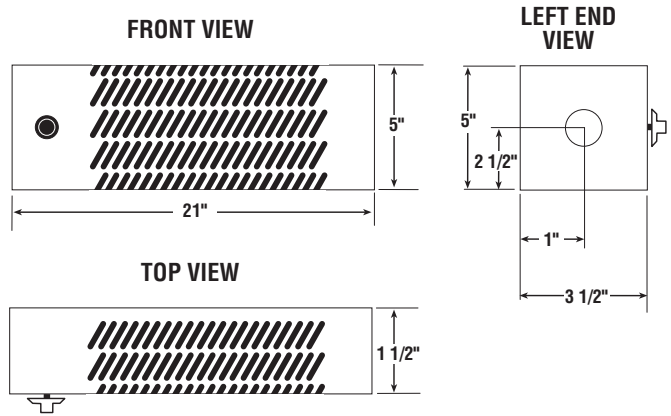
**CONTROL BOX:** The heater housing shall contain an enclosed tamper proof control box to isolate all live electrical parts from the remainder of the heater. An integral thermostat with a temperature range of 40 deg. F to 70 deg. F shall be completely contained in the control box.

**GENERAL:** The heater shall be triple rated to operate at 120, 208 or 240 VAC. Shipped wired for 240/208v, field conversion to 120v is quick and easy.

\* MEP reserves the right to change specifications without prior notice.

\*\* Limitations: Do not install in areas where water may enter heater unit. Do not locate where air flow may be obstructed.

## DIMENSIONS



## SELECTION CHART

CATALOG NUMBER	VOLTS*	WATTAGE	AMPS	BTU/HR
WHT500	240	500	2.1	1708
	208	376	1.8	1284
	120	500	4.2	1708

