



Independence Series Small Wall Light

PROJECT INFORMATION	
JOB NAME	
FIXTURE TYPE	Independence Small Wall Light
CATALOG NUMBER	
APPROVED BY	

SPECIFICATIONS

Construction:

Rugged Traditional aluminum die cast housing provides proven environmental protection for LED modules. Traditional fixture designs provide a familiar look and standard installation requirements. Retaining this look allows the ability to upgrade fixtures gradually, while retaining the same overall fixture appearance throughout a facility. The smooth housing prevents debris build up and maximizes airflow over housing.

Glare Reduction Lens:

Positioning of the LED modules combined with the unique design of the lens assembly results in light being directed to desired locations and reduces offensive light.

Lens assembly is designed to provide high efficiency and to target the light where needed to satisfy outdoor lighting requirements.

Thermal Management:

Atlas' Patent Pending exclusive Thermal Management System™ features a unique internal design that allows for lower operating temperatures which results in a brighter, whiter light, more stable color and longer LED (200,000+ hrs¹) and driver life.

Listings:

Luminaire is certified to UL/cUL Standards for Wet Locations DesignLights Consortium qualified luminaire, eligible for rebates from DLC member utilities.

AC Input: 120/208/240/277V

Driver:

Constant current, Class 2, 120-277 VAC, 50-60 Hz
High Efficiency – min. 84%
Off-State Power: 0 Watts
Dimming: 0-10V

Selectable Lumens and CCT:

Atlas selectable wall lights are quick and easy to select and set up.
Selectable lumens: 1,000-4,000
Selectable CCTs: 4000K, 4500K, and 5000K.

LEDs:

3000K, 4000K, 4500K, 5000K CCT Fixed |
4000K, 4500K, 5000K CCT Selectable
Epoxy Guard™ protective conformal coated boards
Atlas LEDs provide higher lumen output, greater energy efficiency and more reliable fixture performance.

Reduced Glare:

Positioning of the LED modules within the housing result in light directed to desired locations and reduces offensive light.

Testing:

Atlas LED luminaires have been tested by an independent laboratory in accordance with IESNA LM-79 & LM-80.

Warranty: Five-year limited warranty

Installation:

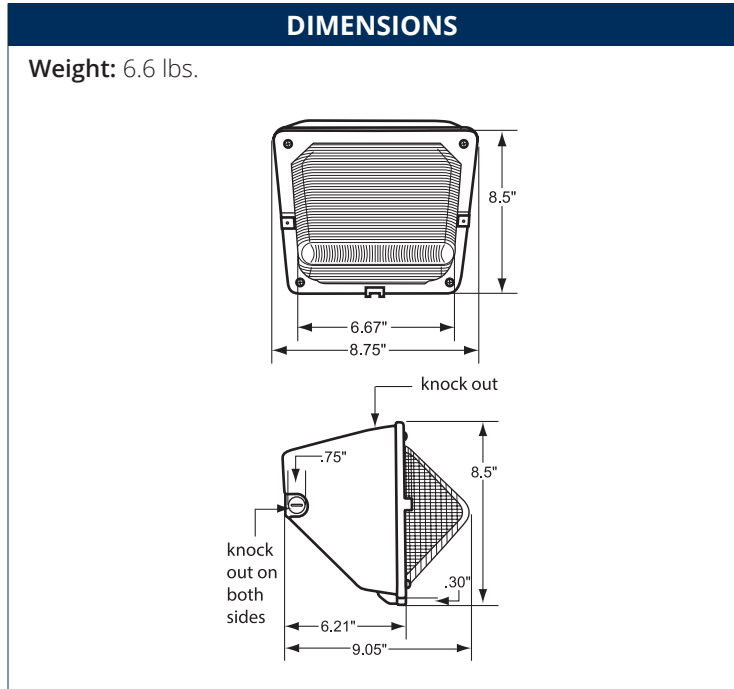
Fixture retains the same knock-out sizes and positions as previous models, reducing wiring costs.

Photo Control: For factory installed 120V button photo control add suffix PC to part number.

¹LED Life Span Based Upon LM-70 Test Results

Atlas Lighting Products, Inc.

PO Box 2348 | Burlington, NC 27216
800-849-8485 | fax: 336-227-0110 | www.atlasled.com



Rebates and Incentives are available in many areas.
Contact an Atlas Representative for more information.

*The majority of Atlas Lighting Products are assembled in USA facilities by an American Workforce utilizing both Domestic and Foreign components. Meets Buy American requirements within the ARRA.



Independence Series

Small Wall Light



ORDERING INFORMATION

WSG	S	1-4L				
PRODUCT SERIES	SELECTABLE	LUMEN PACKAGE	COLOR TEMP.	CONTROLS	VOLTAGE	FIXTURE COLOR
WSG = Small Wall Light	blank = Fixed	4L = 4,000 Lumens Fixed	3K = 3000K 4K = 4000K 45K = 4500K 5K = 5000K	Blank = Dimming (0-10V) PC = 120V Photocontrol PM = 120-277V Photocontrol	Blank = 120-277 4 = 347/480* <i>*fixed only</i>	Blank = Bronze WT = White* BK = Black* <i>*optional with adder</i>
	S = Selectable	1-4L = 1,000-4,000 Lumens Selectable	blank = Selectable (4000K, 4500K, 5000K)	blank = 120-277V Photocontrol Installed LP = Less Photocontrol		

PERFORMANCE DATA

FIXED											
LUMEN PACKAGE	CRI	3000K CCT		4000K CCT		4500K CCT		5000K CCT		WATTS	REPLACES UP TO
		DELIVERED LUMENS	EFFICACY (LPW)	DELIVERED LUMENS	EFFICACY (LPW)	DELIVERED LUMENS	EFFICACY (LPW)	DELIVERED LUMENS	EFFICACY (LPW)		
4L	80	3,913	125	3,913	125	3,913	125	4,044	123	31	100W MH

SELECTABLE											
LUMEN PACKAGE	CRI	Selectable 4000K CCT		Selectable 4500K CCT		Selectable 5000K CCT		WATTS	REPLACES UP TO		
		DELIVERED LUMENS	EFFICACY (LPW)	DELIVERED LUMENS	EFFICACY (LPW)	DELIVERED LUMENS	EFFICACY (LPW)				
1-4L	80	1,006	148	1,047	154	1,000	147	7	100W MH		
		2,381	146	2,479	152	2,367	145	16			
		3,534	140	3,680	146	3,513	139	25			
		4,329	134	4,507	145	4,303	134	32			

DLC PRODUCT INFORMATION

UNIT	3000K CCT		4000K CCT		4500K CCT		5000K CCT	
	DLC PRODUCT ID	CLASSIFICATION	DLC PRODUCT ID	CLASSIFICATION	DLC PRODUCT ID	CLASSIFICATION	DLC PRODUCT ID	CLASSIFICATION
WSG4L	PLYM83H1	Standard	P55N3Z5X	Standard	PTD8WNX1	Standard	PCYT4U0G	Standard

SELECTABLE		
UNIT	DLC PRODUCT ID	CLASSIFICATION
WSGS1-4L	S-FE8KVT	Standard