



**Lumen & CCT Selectable  
Independence Series  
Medium Wall Light**

**PROJECT INFORMATION**

JOB NAME	
FIXTURE TYPE	Independence Medium Wall Light
CATALOG NUMBER	
APPROVED BY	

**SPECIFICATIONS**

**Construction:**

Rugged traditional aluminum die cast housing provides proven environmental protection for LED modules. Traditional fixture designs provide a familiar look and standard installation requirements. Retaining this look allows the ability to upgrade fixtures gradually, while retaining the same overall fixture appearance throughout a facility.

**Glare Reduction Lens:**

Positioning of the LED modules combined with the unique design of the lens assembly results in light being directed to desired locations and reduces offensive light.

Borosilicate glass lens assembly is designed to provide high efficiency and to target the light where needed to satisfy outdoor lighting requirements.

**Selectable Lumens and CCT:**

Atlas selectable wall lights are quick and easy to select and set up. Selectable lumens: 2,500(22W), 6,000(44W), 8,000(65W), 10,000(77W)  
Selectable CCTs: 4000K, 4500K, and 5000K.

**Thermal Management:**

Atlas' Patent Pending exclusive Thermal Management System™ features a unique internal design that allows for lower operating temperatures which results in a brighter, whiter light, more stable color and longer LED and driver life.

**Listings:**

Luminaire is certified to UL/cUL Standards for Wet Locations  
DesignLights Consortium qualified luminaire, eligible for rebates from DLC member utilities.

**AC Input:** 120/208/240/277V 347/480V

**Driver:**

Constant current, Class 2, 120-277 VAC, 50-60 Hz  
High Efficiency – min. 88%

**LEDs:**

Atlas LEDs provide higher lumen output, greater energy efficiency and more reliable fixture performance.

**Reduced Glare:**

Positioning of the LED modules within the housing result in light directed to desired locations and reduces offensive light.

**Testing:**

Atlas LED luminaires have been tested by an independent laboratory in accordance with IESNA LM-79 & LM-80.

**Warranty:** Five-year limited warranty

**Installation:**

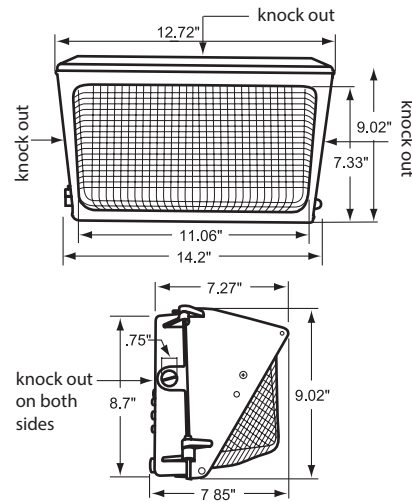
Fixture retains the same knock-out sizes and positions as previous models, reducing wiring costs.

**Emergency Back-up:** For factory installed Emergency Back-Up add suffix EB to part number.

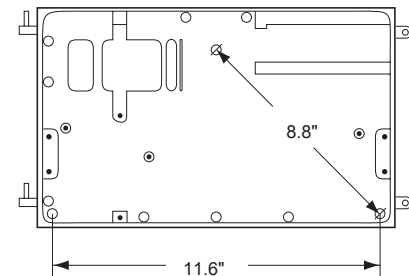


**DIMENSIONS**

**Weight:** 9.25 lbs.



**MOUNTING DETAIL**



**Rebates and Incentives are available in many areas.  
Contact an Atlas Representative for more information.**

\*The majority of Atlas Lighting Products are assembled in USA facilities by an American Workforce utilizing both Domestic and Foreign components. Meets Buy American requirements within the ARRA.

<sup>1</sup>LED Life Span Based Upon LM-70 Test Results



**Lumen & CCT Selectable  
Independence Series**  
Medium Wall Light

**ORDERING INFORMATION**

WM	S	3-10L					
PRODUCT SERIES	SELECTABLE	LUMEN PACKAGE	COLOR TEMP.	CONTROLS	VOLTAGE	FIXTURE COLOR	OPTIONS
WM = Medium Wall Light	S = Selectable	3-10L = 2,500, 6,000, 8,000, 10,000 Lumens Selectable	blank = Selectable (4000K, 4500K, 5000K)	blank = 120-277V Photocontrol Installed LP = Less Photocontrol	Blank = 120-277	Blank = Bronze WT = White* BK = Black* <i>*optional with adder</i>	EB = Emergency Back-up SP = Surge Protection

**PERFORMANCE DATA**

UNIT	CRI	4000K CCT			4500K CCT			5000K CCT		
		DELIVERED LUMENS	EFFICACY (LPW)	WATTAGE	DELIVERED LUMENS	EFFICACY (LPW)	WATTAGE	DELIVERED LUMENS	EFFICACY (LPW)	WATTAGE
3L - 10L	80	2,951	137	22	3,072	142	22	2,956	137	22
	80	6,225	142	44	6,481	148	44	6,236	142	44
	80	8,939	139	64	9,307	145	64	8,955	140	64
	80	10,335	136	76	10,760	147	73	10,354	136	76

**DLC PRODUCT INFORMATION**

UNIT	DLC PRODUCT ID	CLASSIFICATION
WMS3-10L	PF5Z4CJ9	Standard