



INDEPENDENCE SERIES Wall Light

LED Medium Die Cast Wall Light



Project Information

Job Name

Fixture Type LED Medium Die Cast Wall Light

Catalog Number WM

Approved by

SPECIFICATIONS:

Construction:

Rugged Traditional aluminum die cast housing provides proven environmental protection for LED modules. Traditional fixture designs provide a familiar look and standard installation requirements. Retaining this look allows the ability to upgrade fixtures gradually, while retaining the same overall fixture appearance throughout a facility.

Glare Reduction Lens:

Positioning of the LED modules combined with the unique design of the lens assembly results in light being directed to desired locations and reduces offensive light.

Lens assembly is designed to provide high efficiency and to target the light where needed to satisfy outdoor lighting requirements.

Thermal Management:

Atlas' Patent Pending exclusive Thermal Management System™ features a unique internal design that allows for lower operating temperatures which results in a brighter, whiter light, more stable color and longer LED (200,000+ hrs¹) and driver life.

Listings:

Luminaire is certified to UL/cUL Standards for Wet Locations DesignLights Consortium qualified luminaire, eligible for rebates
*The WM5L (All colors/options) is a DesignLights Consortium qualified luminaire, eligible for rebates from DLC member utilities.

AC Input:

120/208/240/277 V

Driver:

Constant current, Class 2, 120-277 VAC, 50-60 Hz
High Efficiency – min. 88%
0-10 V Dimming

LEDs:

3000K | 4000K | 4500K | 5000K CCT
Epoxy Guard™ protective conformal coated boards
Atlas LEDs provide higher lumen output, greater energy efficiency and more reliable fixture performance. They are tested and binned at 700mA which is the actual operating current used in Atlas LED luminaires, giving a better representation of actual performance.

Warranty: Five-year limited warranty

Testing: Atlas LED luminaires have been tested by an independent laboratory in accordance with IESNA LM-79 & LM-80.

Installation: Fixture retains the same knock-out sizes and positions as previous models, reducing wiring costs.

Photo Control: For factory installed 120V button photo control add suffix PC to part number.

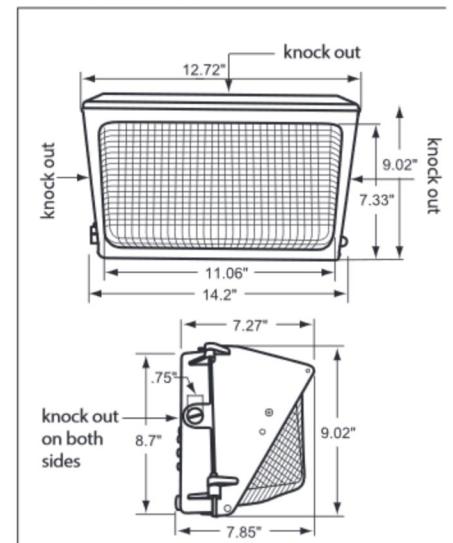
Emergency Back-up: For factory installed Emergency Back-Up add suffix EB to part number.

480 Volt: For 480V add suffix 4 to part number.

Weight: 9.25 lbs.



DIMENSIONS:



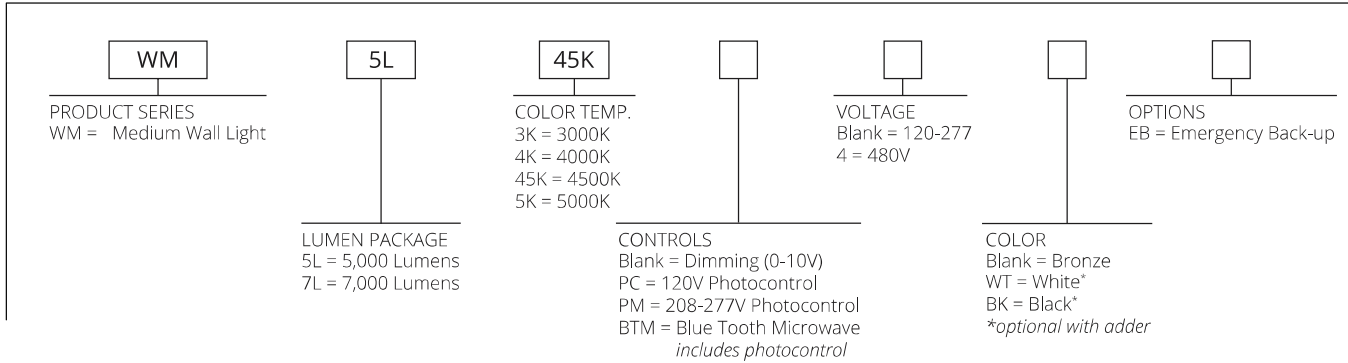
¹LED Life Span Based Upon LM-80 Test Results

ATLAS LIGHTING PRODUCTS, INC.

PO BOX 2348 | BURLINGTON, NC 27216
800-849-8485 | FAX: 1-855-847-2794 | www.atlasled.com

*The majority of Atlas Lighting Products are assembled in USA facilities by an American Workforce utilizing both Domestic and Foreign components. Meets Buy American requirements within the ARRA.

ORDERING FORMAT



PERFORMANCE DATA

UNIT	CRI	3000K CCT		4000K CCT		4500K CCT		5000K CCT		WATTAGE
		Delivered Lumens	Efficacy (LPW)	Delivered Lumens	Efficacy (LPW)	Delivered Lumens	Efficacy (LPW)	Delivered Lumens	Efficacy (LPW)	
WM5L	80	4900	127.65	5036	131.87	4900	127.65	5071	132.04	38.39
WM7L	80	7051	116.91	7229	120.62	7229	120.62	7349	121.61	60.31

DLC PRODUCT INFORMATION:

UNIT	3000K CCT		4000K CCT		4500K CCT		5000K CCT	
	DLC Product ID	Classification	DLC Product ID	Classification	DLC Product ID	Classification	DLC Product ID	Classification
WM5L	PF6CGY8T	Standard	PVLA4PI8	Standard	POOGUS1I	Standard	P1JVJASQ	Standard
WM7L	n/a	n/a	n/a	n/a	n/a	n/a	n/a	n/a

MOUNTING DETAIL

