



INDEPENDENCE SERIES Wall Light

LED Large Die Cast Wall Light



SPECIFICATIONS:

Construction:

Rugged Traditional aluminum die cast housing provides proven environmental protection for LED modules. Traditional fixture designs provide a familiar look and standard installation requirements. Retaining this look allows the ability to upgrade fixtures gradually, while retaining the same overall fixture appearance throughout a facility.

Glare Reduction Lens:

Positioning of the LED modules combined with the unique design of the lens assembly results in light being directed to desired locations and reduces offensive light.

Lens assembly is designed to provide high efficiency and to target the light where needed to satisfy outdoor lighting requirements.

Thermal Management:

Atlas' Patent Pending exclusive Thermal Stacking Technology System™ features a unique internal design that allows for lower operating temperatures which results in a brighter, whiter light, more stable color and longer LED (200,000+ hrs¹) and driver life.

Listings:

Luminaire is certified to UL/cUL Standards for Wet Locations
²The WD7L3K (All options), WD7L45K (All options), WD10L3K (All options) and WD10L45K (All options) are DesignLights Consortium qualified luminaires, eligible for rebates from DLC member utilities.

AC Input:

120/208/240/277 V

Driver:

Constant current, Class 2, 120-277 VAC, 50-60 Hz
High Efficiency – min. 84%
Dimming: 0-10V

LEDs:

3000K, 4000K, 4500K, 5000K CCT

Epoxy Guard™ protective conformal coated boards

Atlas LEDs provide higher lumen output, greater energy efficiency and more reliable fixture performance. They are tested and binned at 700mA which is the actual operating current used in Atlas LED luminaires, giving a better representation of actual performance.

Testing:

Atlas LED luminaires have been tested by an independent laboratory in accordance with IESNA LM-79 & LM-80

Warranty: Five-year limited warranty

Installation: Fixture retains the same knock-out sizes and positions as previous models, reducing wiring costs.

Weight: 15.0 lbs.

Photo Control: For factory installed 120V button photo control add suffix PC to part number.

Emergency Back-up²: For factory installed Emergency Back-Up add suffix EB to part number.

Project Information

Job Name

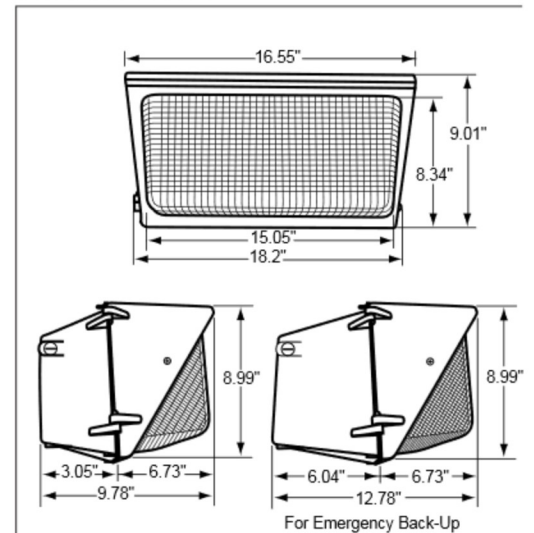
Fixture Type LED Large Die Cast Wall Light

Catalog Number WD

Approved by



DIMENSIONS:



¹LED Life Span Based Upon LM-80 Test Results

²Emergency Back-Up requires larger back housing. Contact Atlas for more details.

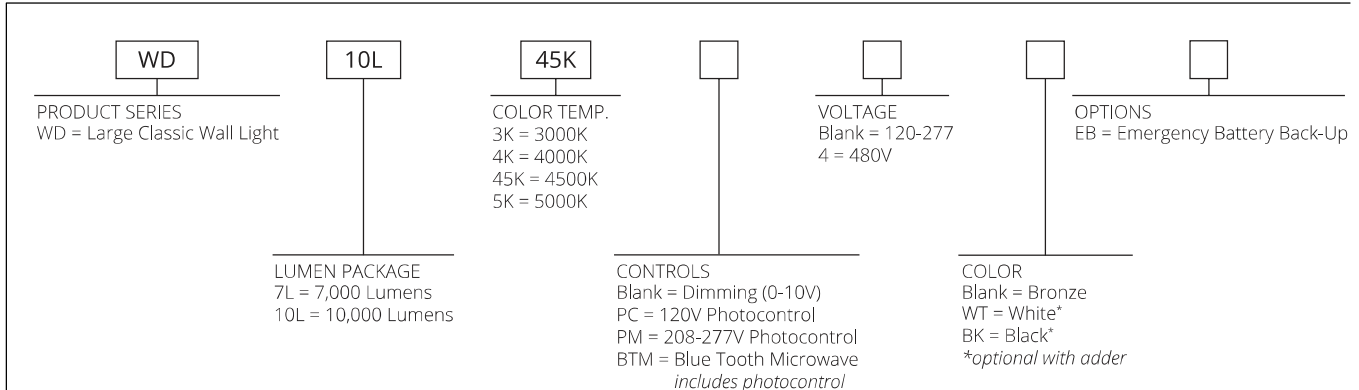
Patent Pending

ATLAS LIGHTING PRODUCTS, INC.

PO BOX 2348 | BURLINGTON, NC 27216
800-849-8485 | FAX: 1-855-847-2794 | www.atlasled.com

Made in the USA of US and imported parts. Meets Buy American requirements within the ARRA.

ORDERING FORMAT



PERFORMANCE DATA

UNIT	CRI	3000K CCT		4000K CCT		4500K CCT		5000K CCT		WATTAGE
		Delivered Lumens	Efficacy (LPW)	Delivered Lumens	Efficacy (LPW)	Delivered Lumens	Efficacy (LPW)	Delivered Lumens	Efficacy (LPW)	
WD7L	80	6046	114.14	6933	124.08	6933	124.08	6933	124.08	55.88
WD10L	80	9958	121.56	9958	121.56	9958	121.56	9958	121.56	81.9

DLC PRODUCT INFORMATION:

UNIT	3000K CCT		4000K CCT		4500K CCT		5000K CCT	
	DLC Product ID	Classification	DLC Product ID	Classification	DLC Product ID	Classification	DLC Product ID	Classification
WD7L	PZ6D1Q4X	Standard	n/a	n/a	P6TWICQQ	Standard	n/a	n/a
WD10L	P4OWN505	Standard/a	n/a	n/a	PB10WD4A	Standard	n/a	n/a

MOUNTING DETAIL

