



Eagle Series

2nd Generation LED Site Lighter



3000K or warmer CCTs only

SPECIFICATIONS:

Construction:

Designed for commercial and industrial applications, providing cooler operating temperatures, brighter light and longer LED life. The die cast aluminum housing utilizes external airflow fins allow for greater heat dissipation. The easy access driver compartment is a thermally independent compartment, separate from LED generated heat, for cooler operation and longer driver life.

Optics:

Atlas Site Lighter Pro fixtures utilize precision engineered individual lenses for maximum light intensity. The lens is made of optical grade polycarbonate. Advanced one piece optic board engineered for maximum light intensity. Types II, III, V and Forward Throw distributions are available. Types II, III and Forward Throw optics are rotatable allowing for optimal placement of the fixtures on the perimeter of any layout.

Mounting:

The easy mount bracket makes installation to any style pole quick and easy. Tenon and other mounting accessories also available. For round poles 500-SLPMRPA is required.

Thermal Management:

Atlas Site Lighter Pro fixtures are designed as a complete system to optimize LED life and light output. The thermal stacking heat removal technology extracts heat from within the housing moving it away from LEDs and components. The lower temperatures result in long LED life (200,000+ hrs¹) and component life and also allows for higher light output.

Listings:

Luminaire is certified to UL/cUL Standards for Wet Locations
²The following qualify for DesignLights Consortium Premium: SLPM6L (All colors/options), SLPM9L (All colors/options), SLPM12L (All colors/options), SLPM18L (All colors/options), SLPM24L (All colors/options), all other luminaires are DesignLights Consortium qualified. All are eligible for rebates from DLC member utilities.

AC Input:

120/208/240/277/347/480 V

Driver:

Constant current, 120-277 VAC, 50-60 Hz
High Efficiency – min. 88%
Off-State Power: 0 Watts
0-10 V Dimming

LEDs:

Available in 3000K, 4000K, 4500K and 5000K, CCT
Epoxy Guard™ protective conformal coated boards

Reduced Glare:

Positioning of the LED modules within the housing result in light directed to desired locations and reduces offensive light.

Testing:

Atlas LED luminaires have been tested by an independent laboratory in accordance with IESNA LM-79 & LM-80.

Warranty: Five-year limited warranty

¹LED Life Span Based Upon LM-80 Test Results

Project Information

Job Name

Fixture Type Eagle Series

Catalog Number SLPM

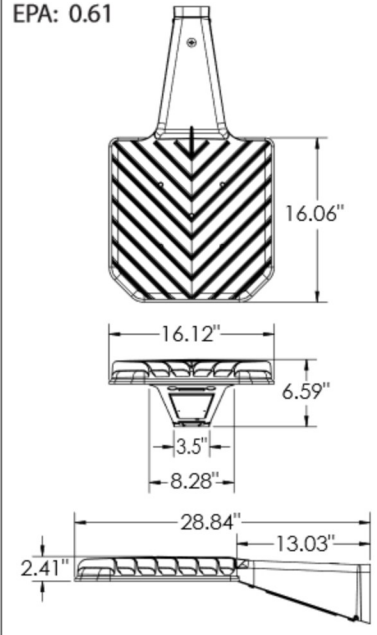
Approved by



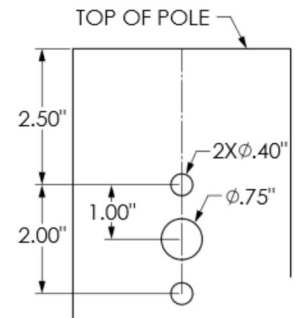
DIMENSIONS:

Weight: 21 lbs.

EPA: 0.61



DRILL PATTERN:



For round poles **500-SLPMRPA** is required.

Rebates and Incentives are available in many areas. Contact an Atlas Representative for more information.

ATLAS LIGHTING PRODUCTS, INC.

PO BOX 2348 | BURLINGTON, NC 27216
800-849-8485 | FAX: 1-855-847-2794 | www.atlasled.com

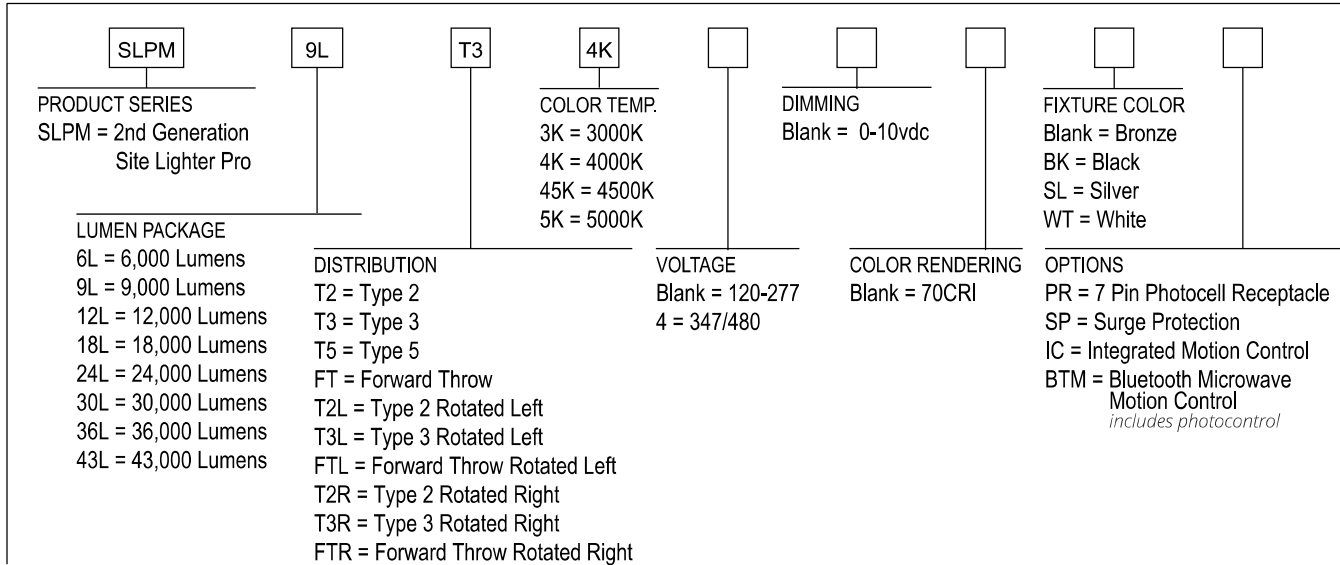
*The majority of Atlas Lighting Products are assembled in USA facilities by an American Workforce utilizing both Domestic and Foreign components. Meets Buy American requirements within the ARRA.



Eagle Series

2nd Generation LED Site Lighter

ORDERING INFORMATION



LUMEN PACKAGE	DISTRIBUTION	CRI	3000K CCT		4000K CCT		4500K CCT		5000K CCT		WATTAGE
			DELIVERED LUMENS	EFFICACY (LPW)	DELIVERED LUMENS	EFFICACY (LPW)	DELIVERED LUMENS	EFFICACY (LPW)	DELIVERED LUMENS	EFFICACY (LPW)	
6L	T2	70	5908	153	6067	158	6093	159	6152	160	39
	T3	70	5824	151	5981	155	6006	155	6065	157	
	FT	70	5712	148	5866	152	5891	153	5948	154	
	T5	70	5848	152	6005	156	6031	156	6090	158	
9L	T2	70	9155	159	9401	163	9442	164	9533	166	58
	T3	70	9082	158	9326	162	9366	163	9457	164	
	FT	70	8866	154	9104	158	9144	159	9232	160	
	T5	70	9086	158	9330	162	9370	163	9461	164	
12L	T2	70	12030	160	12354	164	12407	165	12527	167	75
	T3	70	11900	159	12220	163	12272	164	12391	165	
	FT	70	11670	156	11984	160	12035	160	12152	162	
	T5	70	11950	159	12271	164	12324	164	12444	166	
18L	T2	70	17840	155	18320	159	18398	160	18577	162	115
	T3	70	17810	155	18289	159	18367	160	18546	161	
	FT	70	17340	151	17806	155	17883	156	18056	157	
	T5	70	17820	155	18299	159	18378	160	18556	161	
24L	T2	70	23640	148	24276	152	24380	153	24616	154	160
	T3	70	23620	148	24255	152	24359	153	24596	154	
	FT	70	23030	144	23650	148	23751	149	23981	150	
	T5	70	23660	148	24296	152	24401	153	24637	154	
30L	T2	70	29450	140	30242	144	30372	145	30666	146	210
	T3	70	29440	140	30232	144	30361	145	30656	146	
	FT	70	28750	137	29523	141	29650	141	29937	143	
	T5	70	29470	141	30263	144	30392	145	30687	146	
36L	T2	70	35260	133	36208	137	36364	137	36716	139	265
	T3	70	35220	133	36167	137	36322	137	36675	139	
	FT	70	34490	131	35418	134	35570	135	35914	136	
	T5	70	35200	133	36147	137	36302	137	36654	139	
43L	T2	70	42200	121	43335	124	43521	125	43943	126	348
	T3	70	41940	120	43068	124	43253	124	43672	125	
	FT	70	41300	118	42411	122	42593	122	43006	123	
	T5	70	41970	120	43099	124	43284	124	43703	125	