



MODEL #: ORVT44L4K

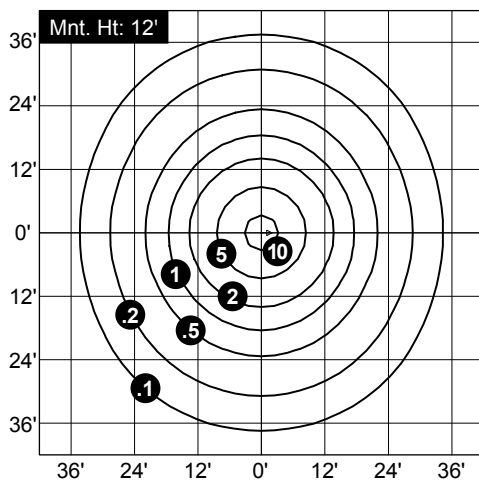
UPC #: 765364023842

4' Vapor Tight



Model	Watts	Lumens	Volts	Color Temp.
ORVT44L4K	40	4,500	120-277	4000K

Photometrics



Light Loss Factor	1.00
Total Lumens	5117
Mounting Height	12'
Max. Calculated Value	11.69Fc

Specifications

Electrical Specifications

- Input Wattage: 40W
- Efficacy: 113 LpW
- AC Input: 120/208/240/277 V
- Driver: Constant current, Class 2, 120-277VAC 50/60Hz
- Ambient temperature of 104°F/40°C
- Minimum ambient operating temperature of -40°F/°C
- Dimming: 0-10V

Lighting Specifications

- Total Lumens: 4,500
- Color Temperature: 4000K
- Color Rendering Index: 80

Housing Specifications

- 1-piece housing is made of durable composite material
- Lightweight & durable
- Color: White
- Lifespan: 50,000 hours

Lens

- Polycarbonate

Listings

- UL/cUL standards for wet locations
- IP65
- DLC Premium qualified luminaire, eligible for rebates from DLC member utilities.
DLC Prod. ID: PLPPM8FMONR5

Warranty

- 5-Year limited warranty



PROJECT INFORMATION

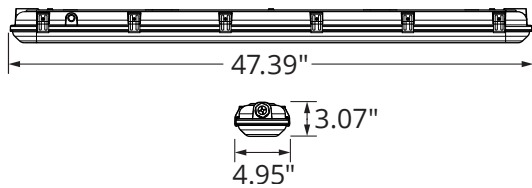
MODEL #: ORVT44L4K

UPC #: 765364023842

4' Vapor Tight

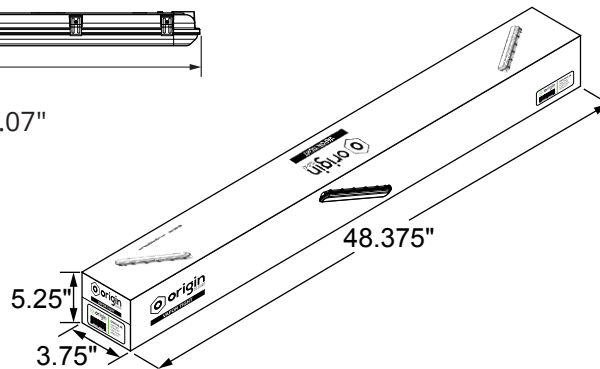
Dimensions

Product Dimensions



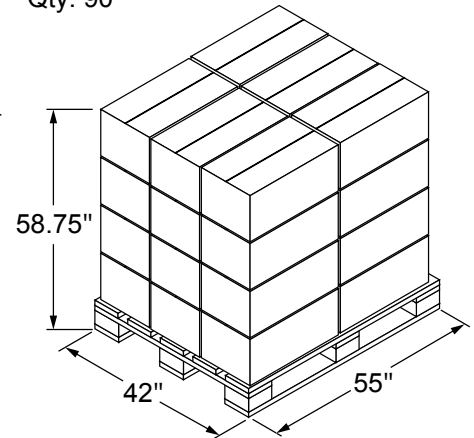
Carton Dimensions

Weight: 7.9 lbs.



Pallet Dimensions

Qty: 90



Installation

- 1a. Secure the mounting bracket clips to the mounting surface secure the fixture by attaching the other side. There should be using the appropriate hardware (provided by others)
- 2a. Attach one side of the fixture to both brackets, and then be a "click" when the second side is secured
- 3a. If connecting to a conduit pipe, unscrew the desired plug and attach the pipe. Apply silicone RTV (provided by others) to threads for water-proof seal
- 3b. If conduit piping is not used for installation, silicone RTV must still be applied to the conduit plugs for water-proof seal
- 4a. Unclip the lens to expose the LED gear tray. Set lens aside
- 5a. Remove the four phillips screws that secure the LED gear tray. LED gear tray will hang from plastic straps and the LED driver will be accessible for electrical connection
- 6a. Wire the fixture leads to the supply leads per Figure 1 below
- 7a. Reattach the LED gear tray. Be careful not to pinch any wires.
- 8a. Replace the fixture lens. Make sure the plastic clips are properly seated when locking the lens in place. Snap clips to the lens to secure and seal the fixture

