



Wet Location

ILW98LED8D 8FT Industrial LED



Project Information

Job Name

Fixture Type Industrial LED Wet Location

Catalog Number ILW98LED8D

Approved by

SPECIFICATIONS:

	ILW98LED8D4K	ILW98LED8D	ILW98LED8D5K
Lumens:	13060	13060	13060
Watts:	94.57	94.57	94.57
Lumens/Watt:	138.1	138.1	138.1
CRI:	80	80	80
CCT:	4000	4500	5000
DLC Prod. ID:	PLDW8P8R	PSC8SR8R	PMYN884T



Construction:

The 1-piece housing is made of durable composite material with 1/2" entry points on both ends. The poured gasket provides a continuous seal for the lens. Fourteen polycarbonate cam latches compress lens to housing for a tight seal. Stainless steel mounting brackets are furnished with each fixture.

Lens:

Injection molded acrylic lens with high impact additive. Lens is ribbed and frosted to eliminate glare.

Listings:

Luminaire is certified to UL/cUL Standards for Wet Locations DesignLights Consortium Premium qualified luminaire, eligible for rebates from DLC member utilities.

AC Input:

120/208/240/277 V

Driver:

Constant current, Class 2 120-277 VAC, 50-60Hz
High Efficiency – min. 84%
Off-State Power: 0 Watts
0-10 V Dimming

LEDs:

Atlas LEDs provide higher lumen output, greater energy efficiency and more reliable fixture performance. LEDs manufactured for the ILW series utilize Epoxy Guard conformal coating which reduces the chance of board corrosion. 200,000+ hrs.¹ lifespan
ILW series fixtures operate at 4000K, 4500K and 5000K CCT.

Temperatures:

Min Start: -35°C Max: 45°C

Ratings:

NEMA4X
IP65, IP66 & IP67
NSF
1500 PSI Hose Down

Installation:

Fixture retains the same knock-out sizes and positions as previous models, reducing wiring costs.

Applications:

Cold storage, garages, refrigerated cases, stairwells, storage areas.

Testing:

Atlas LED luminaires have been tested by an independent laboratory in accordance with IESNA LM-79 & LM-80.

Warranty: Five-year limited warranty

Emergency Back-up: For factory installed Emergency Back-Up add suffix EB to part number.

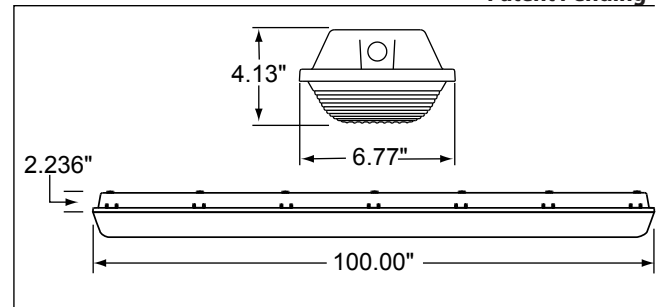
480 Volt: For 480V add suffix 4 to part number.

Options: L = Stainless Steel Latches, 3C = 3' Cord, 6C = 6' Cord

Weight: 16.9 lbs.

DIMENSIONS:

Patent Pending



¹LED Life Span Based Upon LM-80 Test Results

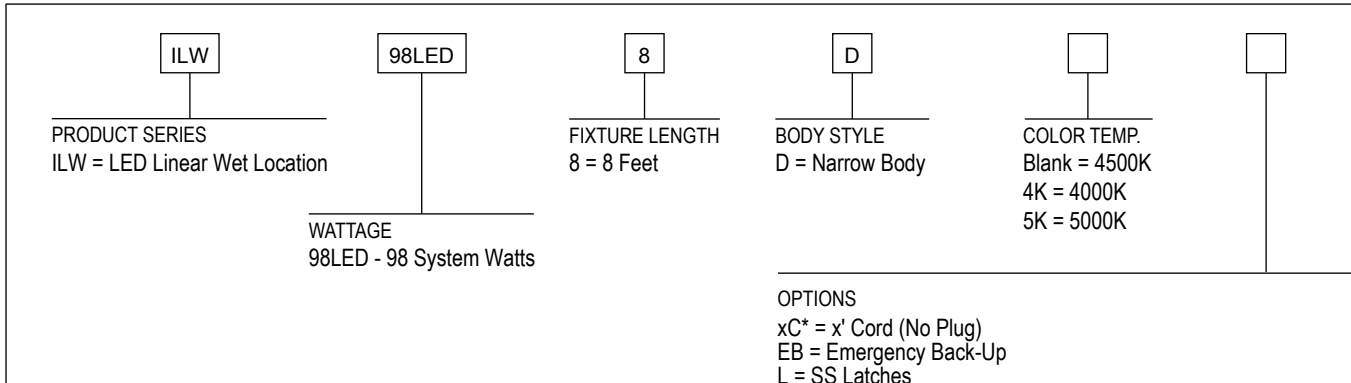
**Rebates and Incentives are available in many areas.
Contact an Atlas Representative for more information.**

ATLAS LIGHTING PRODUCTS, INC.

PO BOX 2348 | BURLINGTON, NC 27216
800-849-8485 | FAX: 1-855-847-2794 | www.atlasled.com

*The majority of Atlas Lighting Products are assembled in USA facilities by an American Workforce utilizing both Domestic and Foreign components. Meets Buy American requirements within the ARRA.

ORDERING FORMAT



OPTIONS

xC* = x' Cord (No Plug)
EB = Emergency Back-Up
L = SS Latches
4 = 480V Driver

CONTROLS

ALSC - Airlink Synapse Wireless Control System
ALSCS - Airlink Synapse Wireless Control System with Sensor
IMS0M2 - Integral Motion / Daylight Sensor. Mounting Height >20'
IMS0M4 - Integral Motion / Daylight Sensor. Mounting Height >45'
OCSWL - Wet Location Occupancy Sensor
HUB - To use with center mount application
(3/4" N.P.T. HUB IN BACK / TOP) 2' wide versions only

*x = 3 for 3' Cord; 6 for 6' cord, 10 for 10' cord; and 20 for 20' cord lengths

IP RATING

	DESCRIPTION	DEFINITION
6	Dust-tight	No ingress of dust
5	Protects against water jets	Water projected from a nozzle against the enclosure from any direction shall have no harmful effect
6	Dust-tight	No ingress of dust
6	Protects against powerful water jets	Water projected in powerful jets against the enclosure from any direction shall have no harmful effect
6	Dust-tight	No ingress of dust
7	Protects against the effects of immersion	Ingress of water in a harmful quantity shall not be possible when the enclosure is immersed in water under defined conditions of pressure & time