

Project Information	
Job Name	
Fixture Type	Industrial LED
Catalog Number	ILH418L ILH418LL
Approved by	

ILH418L 4FT Slim Industrial LED with & without Lens



SPECIFICATIONS:

Construction:

The heavy duty construction is made of rigid 20 gauge steel that has a post painted polyester coat finish. The lightweight heat sinks are designed to perform in ambient temperatures up to 50°C. The Quick Wire access panel allows for easy power connection.

Tool-less Snap-on Lens:

The high transmission lens, with 91% efficiency, is high impact, scratch resistant and protects the LEDs. At the same time it delivers improved visual comfort by eliminating any glare and providing a wider smoother and more uniform light output.

Listings:

Luminaire is certified to UL/cUL Standards for Damp Locations DesignLights Consortium Premium qualified luminaire, eligible for rebates from DLC member utilities

AC Input:

120/208/240/277 V

Driver:

Constant current, Class 2 120-277 VAC, 47-63Hz
 High Efficiency – min. 85%
 Off-State Power: 0 Watts
 Dimming 0-10V

LEDs:

Atlas LEDs provide higher lumen output, greater energy efficiency and more reliable fixture performance. LEDs manufactured for the ILH series utilize Epoxy Guard conformal coating which reduces the chance of board corrosion. ILH series fixtures operate at 4000K, 4500K and 5000K CCT. 200,000+ hrs.¹ lifespan

Temperatures:

Min Start: -35°C Max: 50°C

Warranty:

Five-year limited warranty

Testing:

Atlas LED luminaires have been tested by an independent laboratory in accordance with IESNA LM-79 & LM-80.

Weight:

10 lbs.

Installation:

Suitable for suspension by chain, cable, or single (pendant) monopoint. To maintain ambient listing, mount minimum 6" from ceiling.

Additional Options:

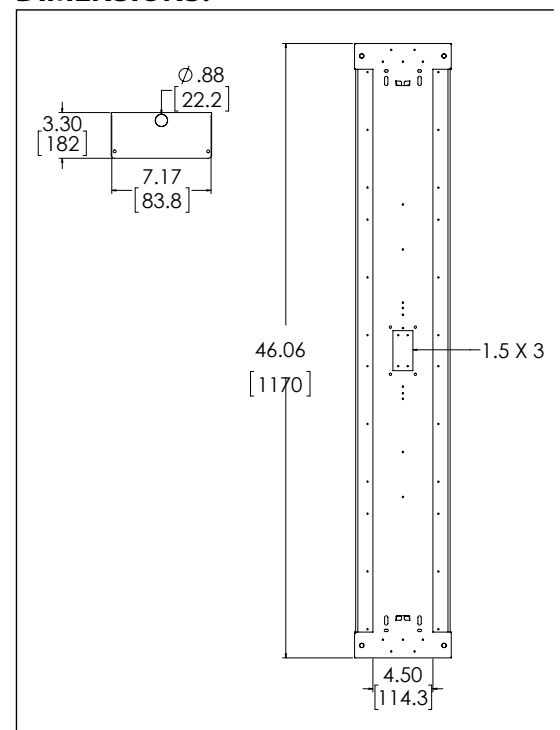
For 480V add suffix 4 to part number.

For factory installed Emergency Back-Up add suffix EB to part number.



Patent Pending

DIMENSIONS:



¹LED Life Span Based Upon LM-80 Test Results

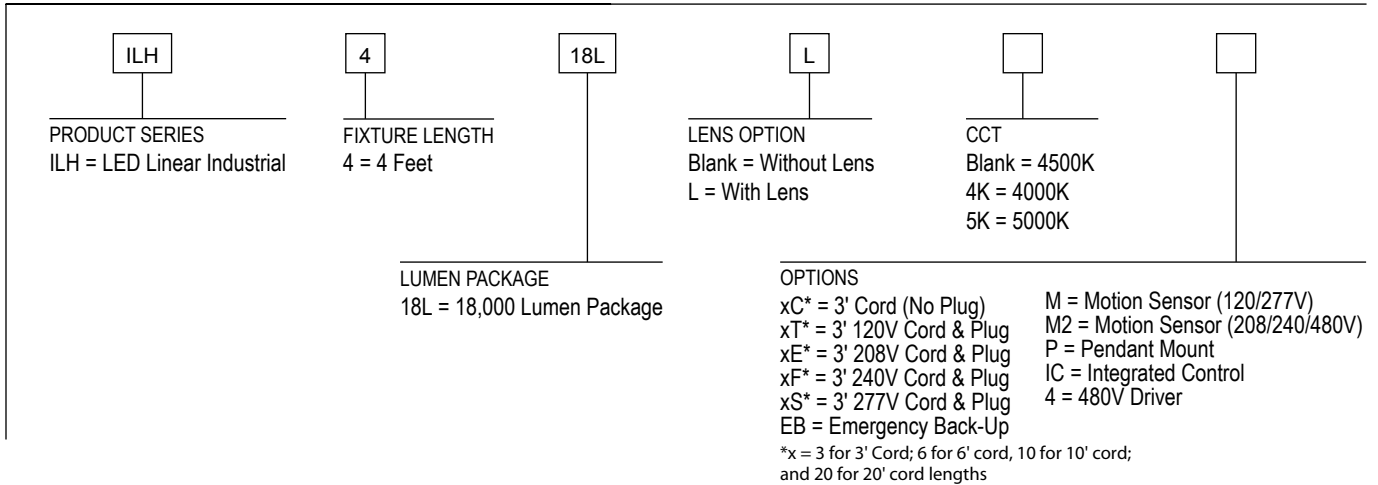
Rebates and Incentives are available in many areas. Contact an Atlas Representative for more information.

ATLAS LIGHTING PRODUCTS, INC.

PO BOX 2348 | BURLINGTON, NC 27216
 800-849-8485 | FAX: 1-855-847-2794 | www.atlasled.com

*The majority of Atlas Lighting Products are assembled in USA facilities by an American Workforce utilizing both Domestic and Foreign components. Meets Buy American requirements within the ARRA.

ORDERING FORMAT



WITHOUT LENS

	ILH418L4K	ILH418L	ILH418L5K
Lumens:	21410	21410	21410
Watts:	157.2	157.2	157.2
Lumens/Watt:	136.2	136.2	136.2
CRI:	80	80	80
CCT:	4000	4500	5000
DLC Prod. ID:	PW8ROZYX	PMJ131ZH	PI6SHGH1

WITH LENS

	ILH418LL4K	ILH418LL	ILH418LL5K
Lumens:	19990	19990	19990
Watts:	156.79	156.79	156.79
Lumens/Watt:	127.5	127.5	127.5
CRI:	80	80	80
CCT:	4000	4500	5000
DLC Prod. ID:	P239NBUU	PYYV8D82	PYGTSNQ4