



Industrial

ILH Series 2 ft Slim Industrial LED with & without Lens



SPECIFICATIONS:

Construction:

The heavy duty construction is made of rigid 20 gauge steel that has a post painted polyester coat finish. The lightweight heat sinks are designed to perform in ambient temperatures up to 50°C. The Quick Wire access panel allows for easy power connection.

Tool-less Snap-on Lens:

The high transmission lens, with 91% efficiency, is high impact, scratch resistant and protects the LEDs. At the same time it delivers improved visual comfort by eliminating any glare and providing a wider smoother and more uniform light output.

Listings:

Luminaire is certified to UL/cUL Standards for Damp Locations DesignLights Consortium Premium qualified luminaire, eligible for rebates from DLC member utilities.

AC Input:

120/208/240/277 V

Driver:

Constant current, Class 2 120-277 VAC, 47-63Hz
High Efficiency – min. 85%
Off-State Power: 0 Watts
Dimming 0-10V

LEDs:

Atlas LEDs provide higher lumen output, greater energy efficiency and more reliable fixture performance. LEDs manufactured for the ILH series utilize Epoxy Guard conformal coating which reduces the chance of board corrosion. ILH series fixtures operate at 4000K, 4500K and 5000K CCT. 200,000+ hrs.¹ lifespan

Temperatures:

Min Start: -35°C Max: 60°C

Warranty:

Five-year limited warranty

Testing:

Atlas LED luminaires have been tested by an independent laboratory in accordance with IESNA LM-79 & LM-80.

Weight:

10 lbs.

Installation:

Suitable for suspension by chain, cable, or single (pendant) monopoint. To maintain ambient listing, mount minimum 6" from ceiling.

Additional Options:

For 480V add suffix 4 to part number.

For factory installed Emergency Back-Up add suffix EB to part number.

Project Information

Job Name

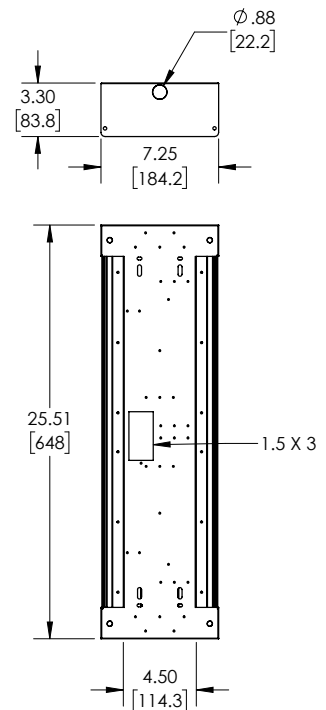
Fixture Type 2 ft Slim Industrial LED

Catalog Number ILH29L | ILH29LL

Approved by



DIMENSIONS:



¹LED Life Span Based Upon LM-80 Test Results

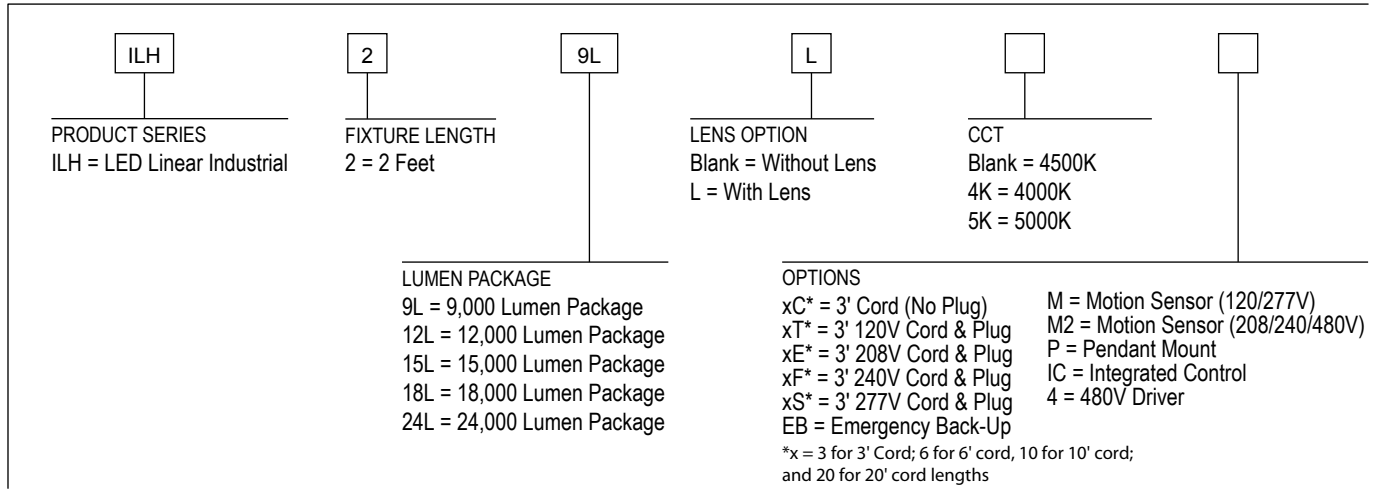
Rebates and Incentives are available in many areas. Contact an Atlas Representative for more information.

ATLAS LIGHTING PRODUCTS, INC.

PO BOX 2348 | BURLINGTON, NC 27216
800-849-8485 | FAX: 1-855-847-2794 | www.atlasled.com

*The majority of Atlas Lighting Products are assembled in USA facilities by an American Workforce utilizing both Domestic and Foreign components. Meets Buy American requirements within the ARRA.

ORDERING FORMAT



WITHOUT LENS

	ILH29L4K	ILH29L	ILH29L5K
Lumens:	10300	10300	10300
Watts:	74.15	74.15	73.46
Lumens/Watt:	138.9	138.9	140.62
CRI:	80	80	80
CCT:	4000	4500	5000
DLC Prod. ID:	P9A4442X	PCZKZWAH	PDRZ80TL

WITH LENS

	ILH29LL4K	ILH29LL	ILH29LL5K
Lumens:	9631	9631	9635
Watts:	73.9	73.9	73.29
Lumens/Watt:	130.33	130.33	131.47
CRI:	80	80	80
CCT:	4000	4500	5000
DLC Prod. ID:	PU66ALJ5	PAJOLJCG	P4TOY2J8

¹LED Life Span Based Upon LM-80 Test Results