



500-SAB16 | 500-SAB21
Spoke Arm Bracket

SPECIFICATIONS:

Construction:
Aluminum

Overall Height:
5.50" (13.97 cm)

Overall Width:
4.00" (10.16 cm)

Overall Depth:
4.00" (10.16 cm)

For use with 1.5" - 3.0" diameter spoke arms

Note: Factory Installed Only

Project Information

Job Name

Type Spoke Arm Bracket

Catalog Number 500-SAB16 | 500-SAB21

Approved by

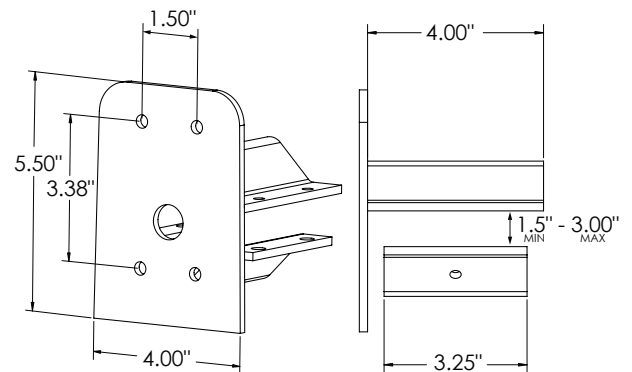


ORDERING INFORMATION:

CATALOG #	DESCRIPTION	FINISH
500-SAB16	Spoke Arm Bracket for SLP 16"	Bronze
500-SAB21	Spoke Arm Bracket for SLP 22"	Bronze

DIMENSIONS:

500-SAB16



500-SAB21

