



500-AAB

Angled Bracket for Site Lighter Pro

SPECIFICATIONS:

Fits 2 3/8" Tenon

Works with both 16" and 22" housings

Construction:
Aluminum

Overall Height:
7.03" (17.85 cm)

Overall Width:
5.88" (14.94 cm)

Overall Depth:
3.00" (7.62 cm)

Project Information

Job Name

Type Angled Bracket for Site Lighter Pro

Catalog Number 500-AAB

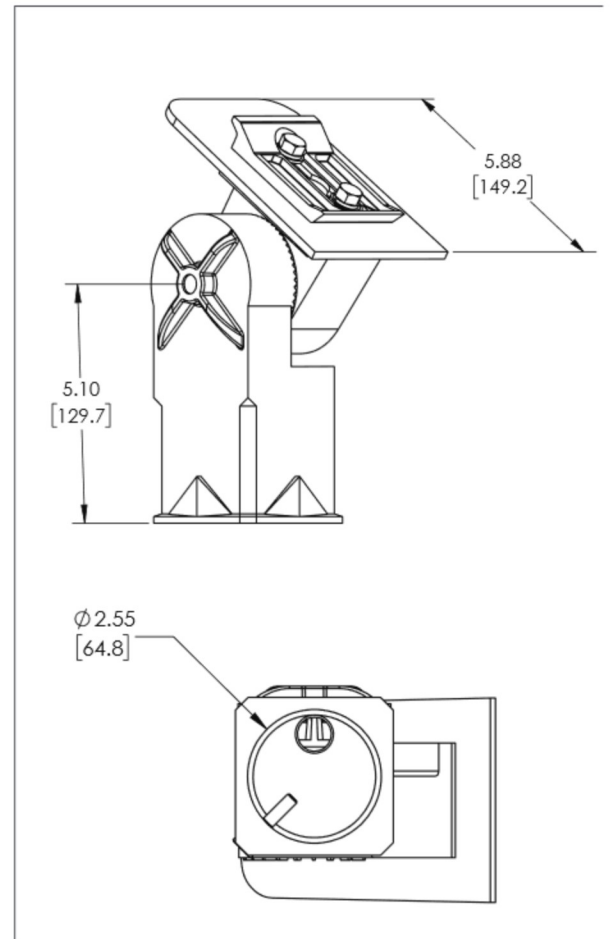
Approved by



ORDERING INFORMATION:

CATALOG #	DESCRIPTION	FINISH
500-AAB	Angled Bracket for SLP	Bronze

DIMENSIONS:



ATLAS LIGHTING PRODUCTS, INC.

PO BOX 2348 | BURLINGTON, NC 27216
800-849-8485 | FAX: 336-227-0110 | www.atlasled.com

The majority of Atlas Lighting Products are assembled in USA facilities by an American Workforce utilizing both Domestic and Foreign components. Meets Buy American requirements within the ARRA.