

Siding Mounting Kits with Built-in Box

For smooth vertical mounting of light fixtures on all siding types. Kit includes mounting block with built-in electrical box, NM cable connector, and 4 screws. Paintable, UV rated plastic for long outdoor life.



8141



8141DBL

FEATURES AND BENEFITS

- Mounts light fixtures on all siding types, including T-111, HardiePlank® Lap Siding, and flat surfaces
- Fast and easy to install after siding is up
- Textured, paintable surface
- NM cable connector included
- Built-in electrical box design ensures UL listed installation

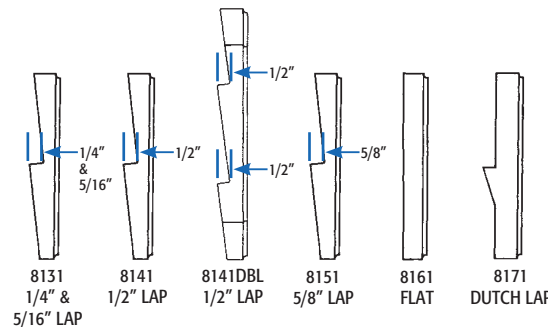
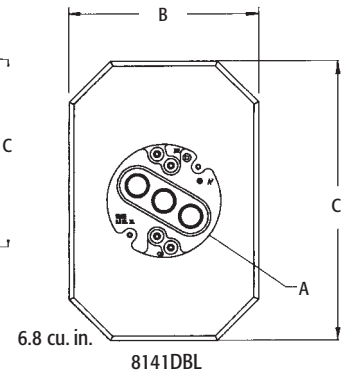
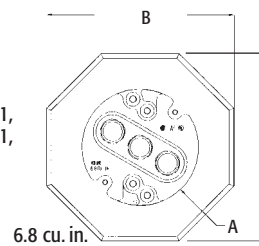
CATALOG NUMBER	UPC/DCI/NAED MFG #018997	SIDING TYPE	UNIT PKG	STD PKG	DIM A	DIM B	DIM C
8131	08131	1/4" & 5/16" Siding & Shingles	1	10	4" Diameter X 1/2" Deep	6.625	6.625
8141	10751	1/2" Lap	1	10	4" Diameter X 1/2" Deep	6.625	6.625
8141DBL	54524	1/2" Lap Double	1	10	4" Diameter X 1/2" Deep	6.900	10.200
8151	10753	5/8" Lap	1	10	4" Diameter X 1/2" Deep	6.625	6.625
8161	08161	Flat Surfaces	1	10	4" Diameter X 1/2" Deep	6.625	6.625
8171	10757	Dutch Lap	1	10	4" Diameter X 1/2" Deep	6.625	6.625

Add suffix "GC" to Catalog # when ordering in Canada, for example 8141GC.

PATENTED.



8131, 8141, 8151, 8161, 8171



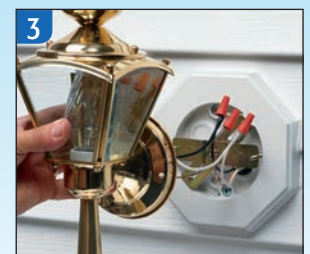
Installation Instructions for Siding



Select location for light fixture and caulk opening around cable.



Remove knockout from electrical box and insert cable connector. Push cable through connector and position mounting block onto siding.



Secure mounting block with provided screws. Install fixture per manufacturer's instructions.