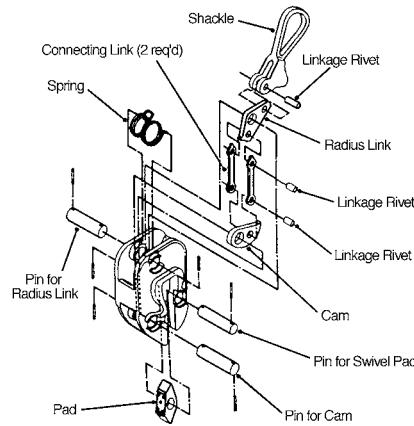


Campbell® Repair Kits for "GX" Clamps

- Replacement Part Kits for All "GX" Style Clamps
- Kits Contain All Necessary Parts for Shackle or Cam/Pad Replacement
- Shackle Kit Includes: 1 Shackle, 1 Radius Link, 1 T-Spring, 2 Connecting Links, 1 Radius Link Pin, 3 Linkage Rivets, 4 Sel-Locs
- Note: Shackle Kit is Supplied Pre-Assembled for Easier Installation
- Cam/Pad Kit Includes: 1 Cam, 1 Pad, 1 Cam Pin, 1 Pad Pin, 1 T-Spring, 1 Rivet, 4 Sel-Locs

Cat. No.	UPC No.	Part Name	For Use With Clamp Capacity	Weight Each (lbs.)
6506000	020418210013	Shackle Kit	1/2 TON	1.00 lb
6506001	020418210020	Cam/Pad Kit	1/2 TON	0.50 lb
6506010	020418210037	Shackle Kit	1 TON	1.00 lb
6506011	020418210044	Cam/Pad Kit	1 TON	0.80 lb
6506020	020418210051	Shackle Kit	2 TON	1.00 lb
6506021	020418210068	Cam/Pad Kit	2 TON	1.50 lb
6506030	020418210075	Shackle Kit	3 TON	6.00 lb
6506031	020418210082	Cam/Pad Kit	3 TON	4.00 lb
6506050	020418210099	Shackle Kit	5 TON	15.00 lb
6506051	020418210105	Cam/Pad Kit	5 TON	4.50 lb



6506000 Shackle Kit Components



6506001 Cam/Pad Kit Components

Campbell® Chain Connector Clamps

- "GX" Style Chain Connector Clamp
- Clamp Comes Fitted with Chain Connector in Place of the Clamp Shackle
- Use of This Clamp Increases the Flexibility of Multiple Leg Chain Slings
- Clamp is Made of Drop Forged and Heat Treated Alloy Steel
- Minimum WLL of at Least 10% of the Maximum WLL

Cat. No.	UPC No.	Style	Grip Range	Working Load Limit (Metric Tons)	Weight Each (lbs.)
6423900	020418175947	Regular "GX"	1/16 to 5/16 in.	1/2 t	4.50 lb
6423905	020418175954	Regular "GX"	1/16 to 3/4 in.	1 t	9.00 lb
6423805	020418177378	Short Leg Structural "GX"	1/16 to 3/4 in.	1 t	10.00 lb



Campbell® GX Rubber Pad (Non-Marring) Clamps

- Has A Rubber Covered Pad
- Cam of Relatively Smooth Metal Conditioned to Grip Tightly
- Should Be Used for Lifting Smooth Polished Plates and/or Hard Plates Over 43 Rockwell C/400 Brinnell
- Lifts Heavy Plates with Minimum Marring
- Clamps Are 100% Proof Tested and Certificate of Test Supplied with Each Clamp
- Minimum WLL of at Least 10% of the Maximum WLL

Cat. No.	UPC No.	Grip Range	Working Load Limit (Metric Tons)	Weight Each (lbs.)
6423600	020418175916	1/16 to 3/8 in.	1/2 t	6.00 lb
6423605	020418175923	1/16 to 5/8 in.	1 t	22.00 lb

