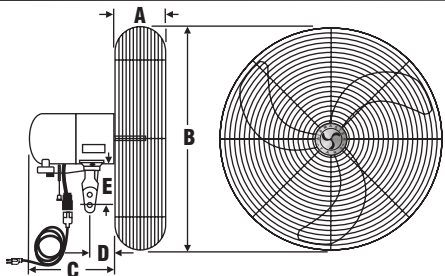
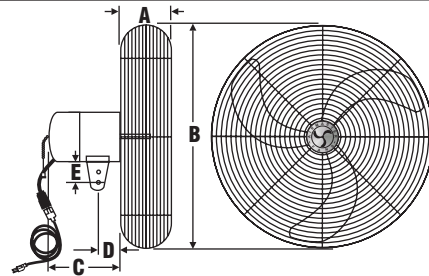


Heavy Duty Air Circulators-115 Volt - 24" and 30"

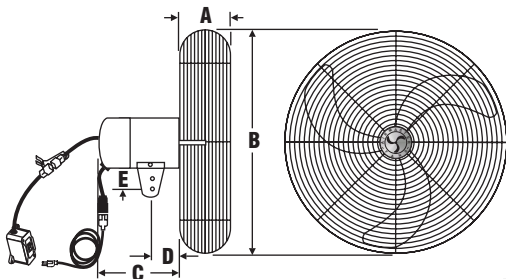
Oscillating/Non-Oscillating



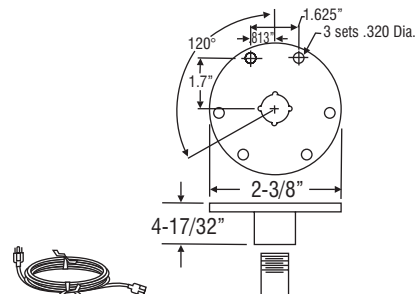
967-3SP Oscillating Motor



642-AC 3SP Non-Oscillating Motor



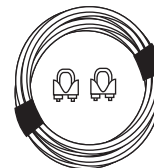
642-AC2SPD Drop Cord Switch Motor



DJ-EC-6, DJ-EC-9, DJ-EC-12, 6' 9" and 12' Extension Cord for Drop Cord Switch

1" Pipe By Others

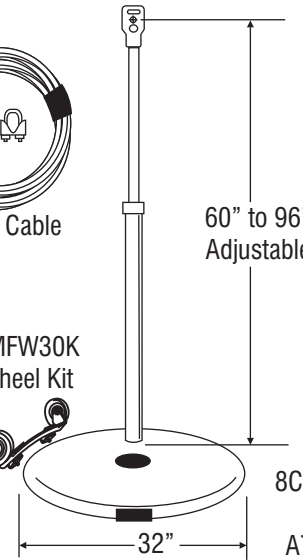
CK-2 Ceiling Mount



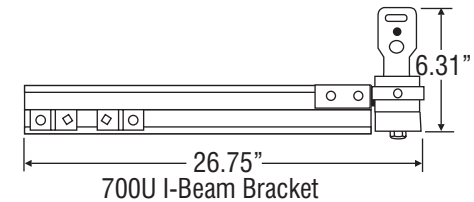
Safety Cable



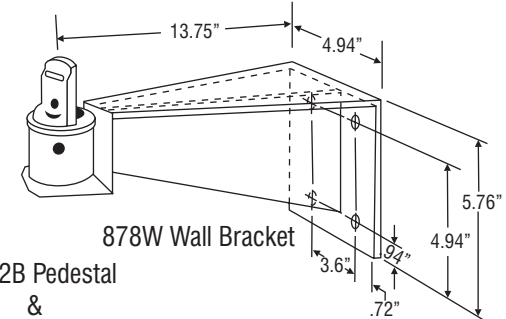
AMFW30K Wheel Kit



8CP-2B Pedestal & A786B-2 Base



700U I-Beam Bracket



878W Wall Bracket

FEATURES

- Energy Efficient - Lowest Watts Per CFM
- Ultra Quiet Die Cast Aluminum Airfoil Propeller
- Excellent for Churches, Schools, Industrial and Commercial Applications
- Includes Cord and Plug
- Wall and I-Beam Mounts Able To Be Installed By One Individual
- Meets OSHA Standards & UL /CUL Listed
- 3 Speed Motor
- 1/3 HP, 115V, 1 Phase, Totally Enclosed, Ball Bearing Motor
- Patented Modular Motor End Dome for easy maintenance
- UPS Shippable
- All Stocked

Model	24" Fan		30" Fan		C	D	E
	A	B	A	B			
967-3SP Oscillating	6-1/4	26.9	5.25	33.39	10.5	2.5	5.25
642-AC-3SP Motor	6-1/4	26.9	5.25	33.39	8.0	2.5	2.5
643-AC2SPD Motor	6-1/4	26.9	5.25	33.39	8.0	2.5	2.5

FAN NO.	QTY.	MOTOR MODEL NO.	PROPELLER DIAMETER	CFM	RPM	HP	WT.	FAN MOUNT	ACCESSORIES AND REMARKS

Airmaster® Fan Company

1300 Falahee Road, Jackson, MI 49203 (517) 764-2300 Fax: (517) 764-3838

www.airmasterfan.com