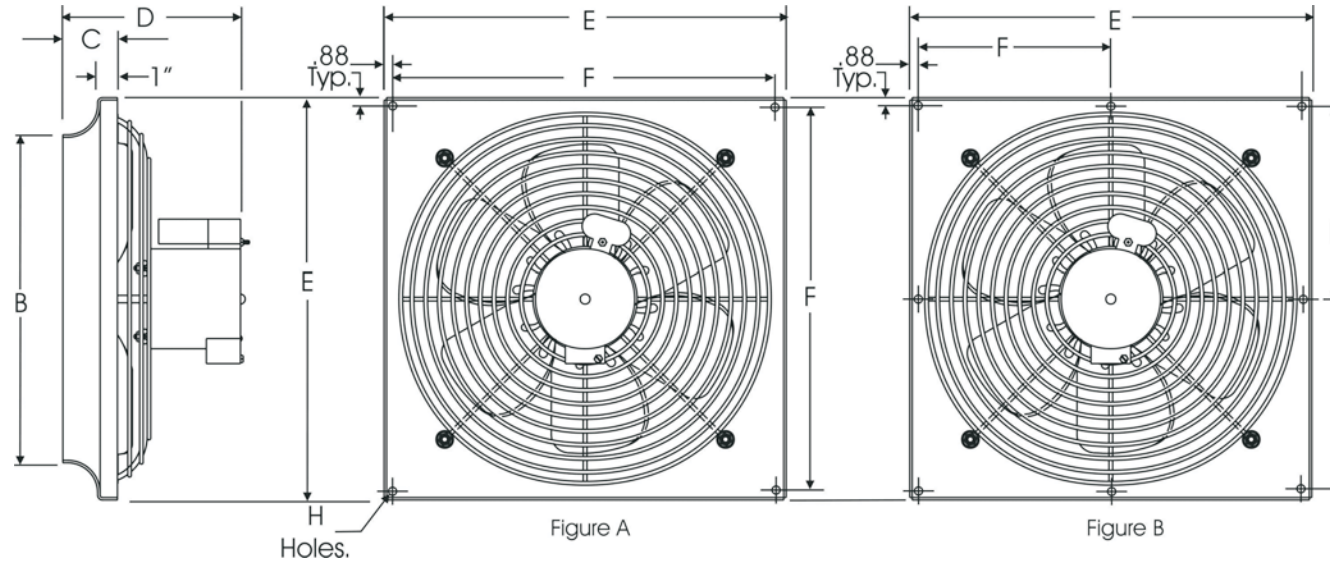


# Direct Drive Industrial Duty Exhaust Fan (Sizes 18" & 24")

**TYPE PD**



## FEATURES

- Heavy Duty Construction
- Direct Drive
- Formed Venturi
- Non-Overloading Propeller
- Rear Guard Meets OSHA Standards

## DIMENSIONS

| Model | See Figure | (Prop. Dia.) | B     | C    | D     | E  | F     | H (dia.) | No. Holes |
|-------|------------|--------------|-------|------|-------|----|-------|----------|-----------|
| PD18  | A          | 18           | 18.50 | 2.50 | 12.75 | 24 | 22.25 | .375     | 4         |
| PD24  | B          | 24           | 24.50 | 2.50 | 15.50 | 30 | 14.12 | .625     | 8         |

| FAN NO. | QTY. | MODEL NO. | CFM | SP | RPM | HP | VOLT | PHASE | CYCLE | WT. | ACCESSORIES AND REMARKS |
|---------|------|-----------|-----|----|-----|----|------|-------|-------|-----|-------------------------|
|         |      |           |     |    |     |    |      |       |       |     |                         |
|         |      |           |     |    |     |    |      |       |       |     |                         |
|         |      |           |     |    |     |    |      |       |       |     |                         |
|         |      |           |     |    |     |    |      |       |       |     |                         |
|         |      |           |     |    |     |    |      |       |       |     |                         |

# Airmaster<sup>®</sup> Fan Company

1300 Falahee Road, Jackson, MI 49203 (517)764-2300 Fax (517) 764-3838

www.airmasterfan.com