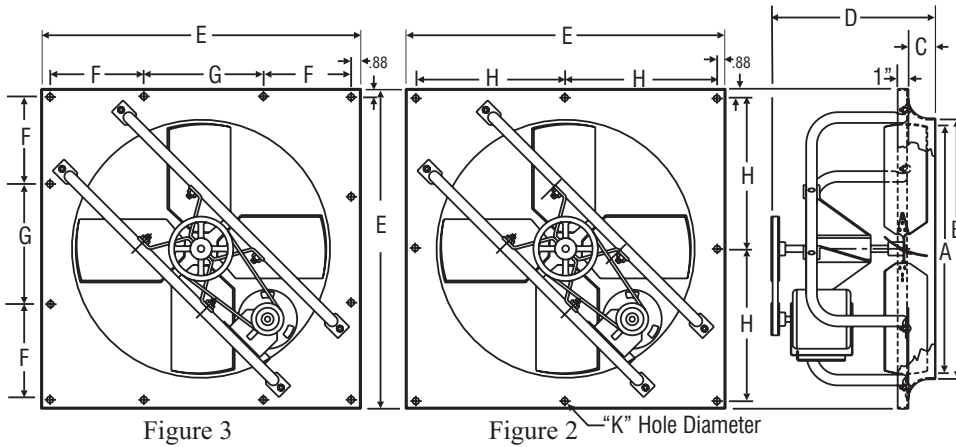


Belt Drive Exhaust Fan

TYPE PB

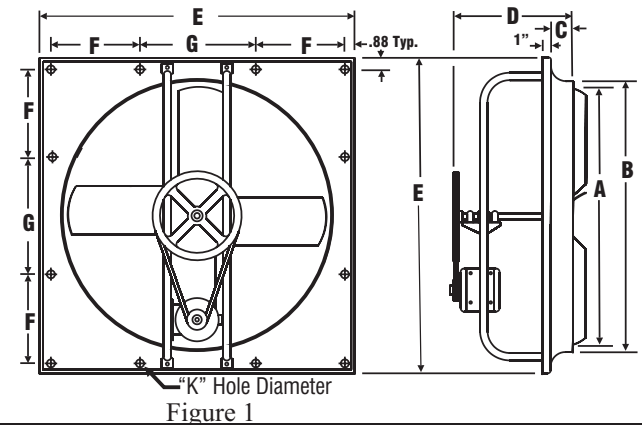


FEATURES

- Commercial Duty Construction
- Belt Drive
- Ball Bearings
- Formed Venturi

DIMENSIONS

Model	See Figure	A	B	C	D	E	F	G	H	K	No. Holes
PB24	2	24	24-1/2	2-1/2	17-7/8	30	-	-	14-1/8	5/8	8
PB30	2	30	30-1/2	3.63	18-3/8	36	-	-	17-1/8	5/8	8
PB36	3	36	36-1/2	4	18-5/8	42	10	20-1/4	-	5/8	12
PB42	1	42	42-1/2	4	24-3/4	48	13	20-1/4	-	5/8	12
PB48	1	48	48-1/2	44	24-3/4	54	16	20-1/4	-	5/8	12



FAN NO.	QTY.	MODEL NO.	CFM	SP	RPM	HP	VOLT	PHASE	CYCLE	WT.	ACCESSORIES AND REMARKS

Airmaster[®] Fan Company

1300 Falahee Road, Jackson, MI 49203 (517)764-2300 Fax: (517) 764-3838

www.airmasterfan.com