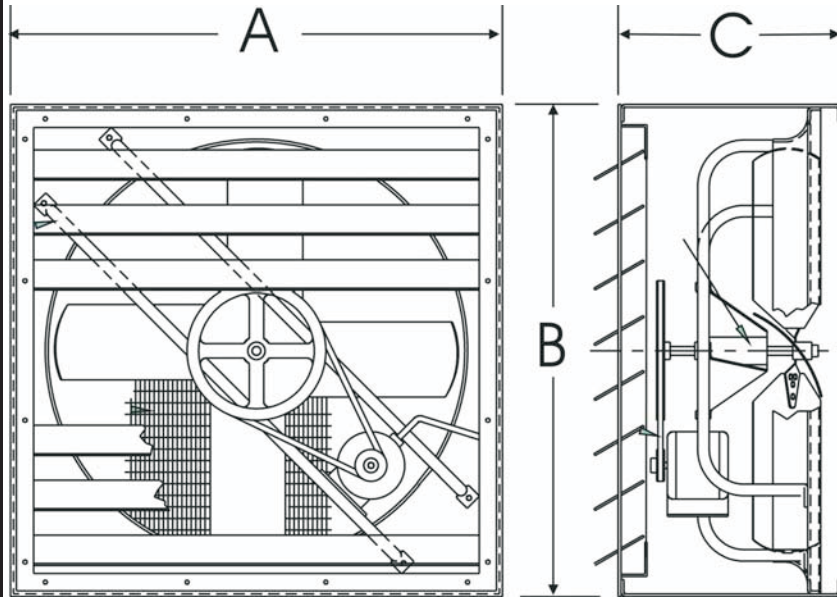


# Belt Drive Cabinet Fan With Shutter

TYPE CWF

## DIMENSIONS

Catalog Number	Motor Enclosure	A	B	C	HP	Volts & Phase
CWF-30-2A	OPEN	36-1/2"	36-1/2"	19"	1/2	115/1
CWF-30-2A-3E	TEFC	36-1/2"	36-1/2"	25"	1/2	230-460/3
CWF-30-2A-1X	EXP.	36-1/2"	36-1/2"	25"	1/2	115-230/1
CWF-36-2A	OPEN	42-1/2"	42-1/2"	19"	1/2	115/1
CWF-36-2A3E	TEFC	42-1/2"	42-1/2"	25"	1/2	230-460/3
CWF-36-3AS1E	TEFC	42-1/2"	42-1/2"	25"	3/4	115-230/1
CWF-36-2A1X	EXP	42-1/2"	42-1/2"	25"	1/2	115-230/1
CWF-42-3A	OPEN	48-1/2"	48-1/2"	19"	3/4	115/1
CWF-42-3A3E	TEFC	48-1/2"	48-1/2"	25"	3/4	230-460/3
CWF-42-3A1X	EXP	48-1/2"	48-1/2"	25"	3/4	115-230/1
CWF-48-4A	OPEN	54-1/2"	54-1/2"	19"	1	115/1
CWF-48-4A3E	TEFC	54-1/2"	54-1/2"	25"	1	230-460/3
CWF-48-4A1E	TEFC	54-1/2"	54-1/2"	25"	1	115-230/1
CWF-48-4A1X	EXP	54-1/2"	54-1/2"	25"	1	115-230/1



## FEATURES

- Heavy Gage Steel Housing
- Belt Drive
- Aluminum Shutter
- Rear Guard

FAN NO.	QTY.	MODEL NO.	CFM	SP	RPM	HP	VOLT	PHASE	CYCLE	WT.	ACCESSORIES AND REMARKS

# Airmaster<sup>®</sup> Fan Company

1300 Falahee Road, Jackson, MI 49203 (517)764-2300 Fax: (517) 764-3838

www.airmasterfan.com