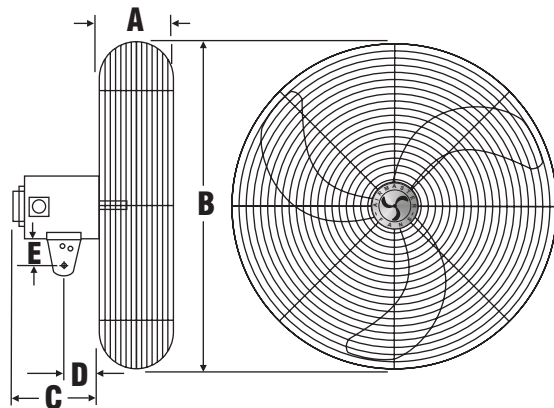


Heavy Duty Air Circulators-230/460 Volt, 3 Phase

Non-Oscillating

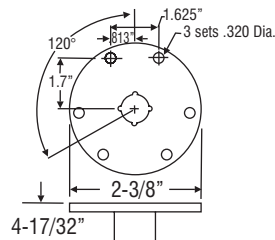
FEATURES

- Energy Efficient - Lowest Watts Per CFM
- Ultra Quiet Die Cast Aluminum Airfoil Propeller
- Excellent for Industrial and Commercial Applications
- Wall and I-Beam Mounts Able To Be Installed By One Individual
- Meets OSHA Standards & UL / CUL Listed
- 1/4 HP 230/460 3 Phase, Totally Enclosed, Ball Bearing Motor
- UPS Shippable
- All Stocked



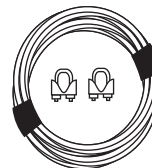
Note: cord & plug not supplied with 3 phase motors

Model	24" Fan		30" Fan		C	D	E
	A	B	A	B			
1069 B Motor	6.25	26.9	5.25	33.39	5.25	2.25	2.50



1" Pipe
By Others

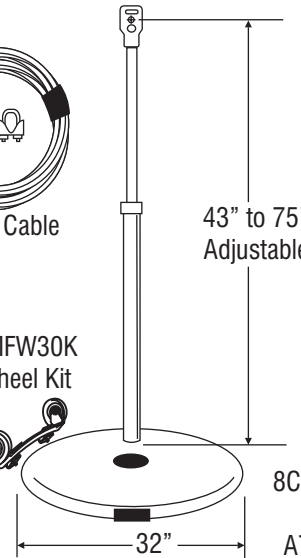
CK-2 Ceiling
Mount



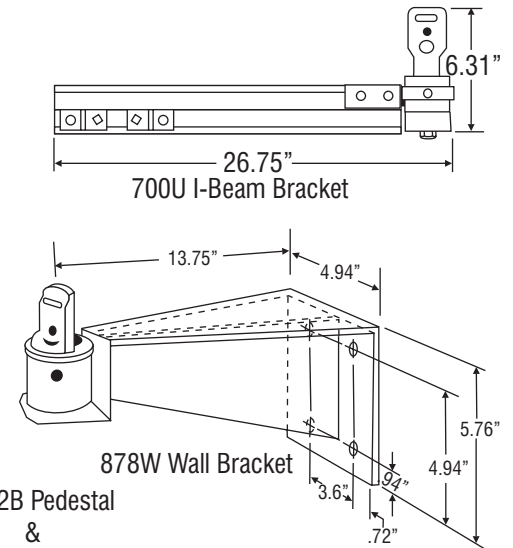
Safety Cable



AMFW30K
Wheel Kit



8CP-2B Pedestal
&
A786B-2 Base



FAN NO.	QTY.	PROPELLER DIAMETER	CFM	RPM	HP	WT.	FAN MOUNT	ACCESSORIES AND REMARKS

Airmaster[®] Fan Company

1300 Falahee Road, Jackson, Mi 49203 (517)764-2300 Fax: (517) 764-3838

www.airmasterfan.com