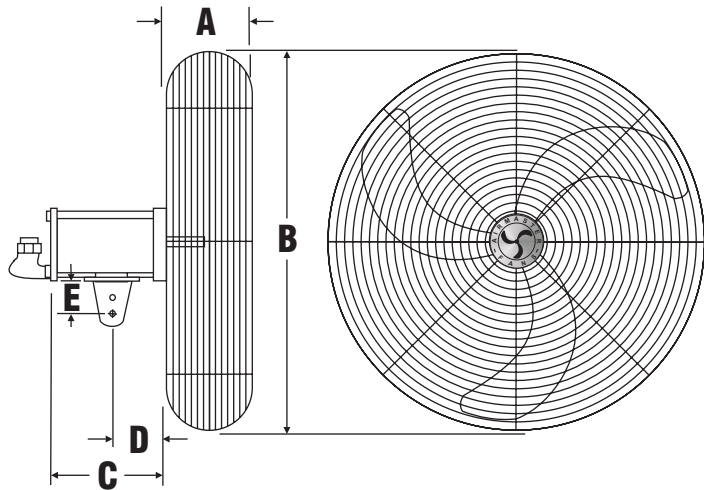


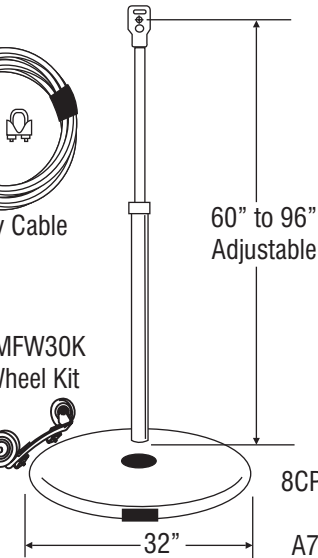
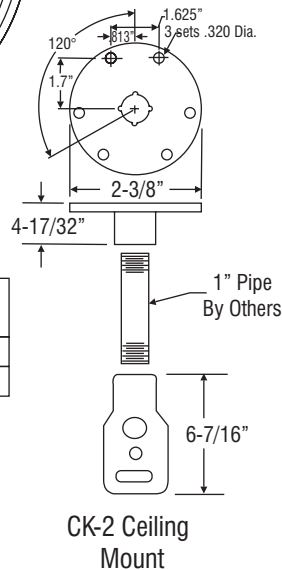
# Heavy Duty Hazardous Location Air Circulator With 115/230V or 230/460 V Explosion Proof Motor

**Non-Oscillating**



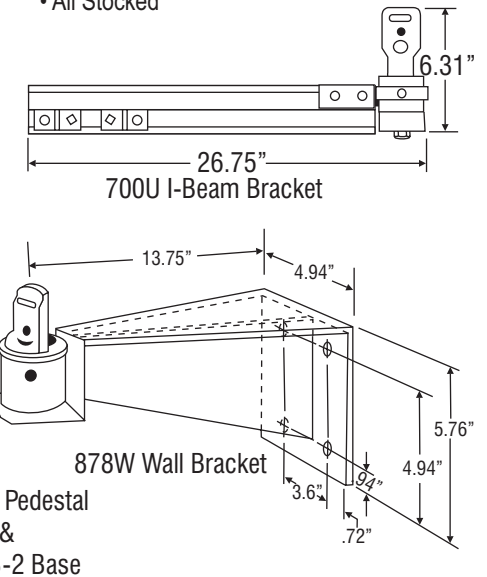
Note: cord & plug not supplied with explosion proof motors

Model	24" Fan		30" Fan		C	D	E
	A	B	A	B			
1169 E 1 Ph. Motor	6.25	26.9	5.25	33.39	15.67	2.30	4.25
1269 3 Ph. Motor	6.25	26.9	5.25	33.39	15.21	2.30	4.06



## FEATURES

- Class I, Group D, Class II Groups E, F&G Motors
- Ultra Quiet Die Cast Aluminum Airfoil Propeller
- Excellent for Industrial and Commercial Applications
- Wall and I-Beam Mounts Able To Be Installed By One Individual
- Meets OSHA Standards
- 1/4 HP, 115/230 2 phase or 230/460 3 Phase Explosion Proof Ball Bearing Motor
- UPS Shippable
- All Stocked



FAN NO.	QTY.	MOTOR MODEL NO.	PROPELLER DIAMETER	CFM	RPM	HP	WT.	FAN MOUNT	ACCESSORIES AND REMARKS

# Airmaster<sup>®</sup> Fan Company

1300 Falahee Road, Jackson, MI 49203 (517)764-2300 Fax: (517) 764-3838  
www.airmasterfan.com