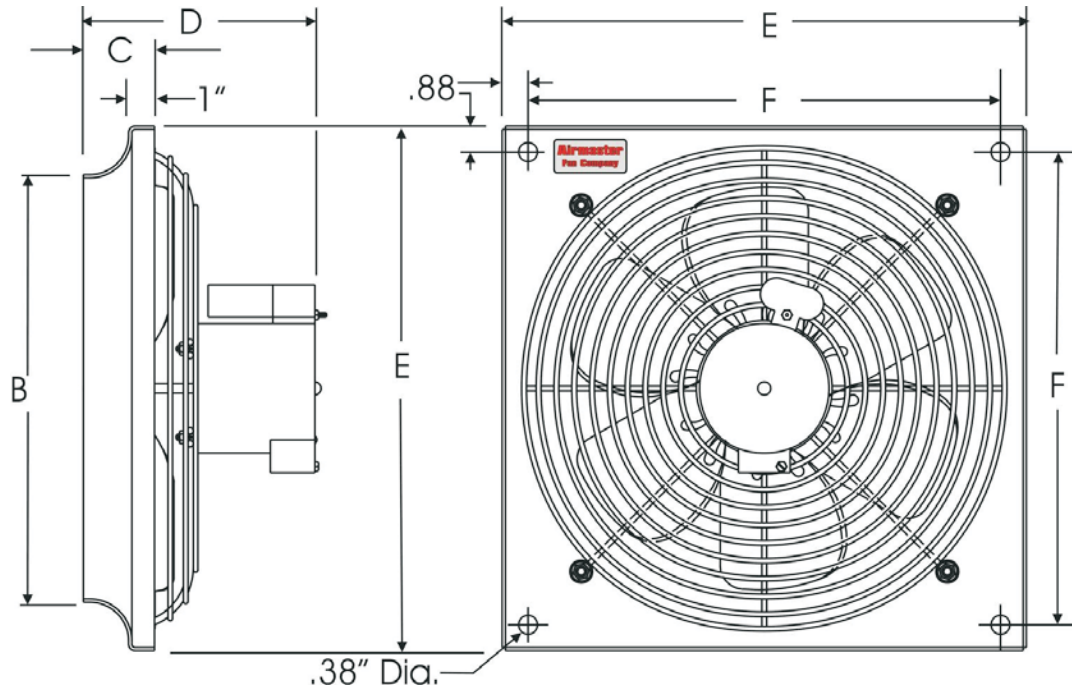


Direct Drive All Purpose Wall Fan

TYPE EPR



FEATURES

- Commercial Duty
- Direct Drive
- Formed Venturi
- Non-Overloading Propeller
- Totally Enclosed Sleeve Bearing Motors
- Built In Rear Guard

DIMENSIONS

Model	A (Prop Dia.)	B	C	D	E	F
10EPR16	10	10-1/2	1-1/2	6	14	12-1/4
12EPR16	12	12-1/2	1-1/2	6	16	14-1/4
16EPR16	16	16-1/2	1-3/4	9-1/2	20	18-1/4
18EPR16	18	18-1/2	1-3/4	10	22	20-1/4

FAN NO.	QTY.	MODEL NO.	CFM	SP	RPM	HP	VOLT	PHASE	CYCLE	WT.	ACCESSORIES AND REMARKS

Airmaster[®] Fan Company

1300 Falahee Road, Jackson, MI 49203 (517)764-2300 Fax (517) 764-3838

www.airmasterfan.com