



SignPRO

SIGNPRO MAG ELE SIGN BAL (4-6) T12HO 8-48FT 120-277V

Philips Advance signPRO line...a brand synonymous with full-line, high-quality sign ballasts offered exclusively to the sign industry to support the market's broad range of sign applications, now adds: ...four new energy-efficient signPRO Electronic Fluorescent Sign Ballasts for T8/HO and T12/HO High Output (800mA) Lamps. Philips Advance signPRO line...a brand synonymous with full-line, high-quality sign ballasts offered exclusively to the sign industry to support the market's broad range of sign applications, now adds: ...four new energy-efficient signPRO Electronic Fluorescent Sign Ballasts for T8/HO and T12/HO High Output (800mA) Lamps.

Product data

• General Characteristics

Lamp Type	T12/HO
Number of Lamps	4-6 piece
Input Voltage	120-277 V
Input Current (Operating)	3.40 A
Line Frequency	50-60 Hz
Lamp Footage(for sign ballast)	8 - 48 FT
Ballast Type	Electronic Fluorescent
Base Model	ISB084846EI
Housing	BL2
Housing Dimensions	14.31" x 3.19" x 2.63"
Housing Material	Metal
Suitable for Outdoor use?	Yes
Starting Method	Instant Start
Family Name	SignPRO

• Operating Characteristics

Automatic restart	Yes
Ignition time	0.1 s
Input Power Gear	390-384 W
Ballast factor	0.60 -
Ballast Efficacy Factor	0.15 -
Power Factor	0.98
Lamp Current Crest Factor	1.7 -
Sound Rating	A
Max THD	10 %

• Wiring Characteristics

Wire Striplength	0.50/0.375 mm
Lamp Connection	Parallel
Wire Gauge	18AWG

Wire Length by Color	See data sheet
Wire Type	Solid
Allowed Wiring Config(Remote)	No
Allowed Wiring Config(Tandem)	No
Allowed Wiring Config(Through)	Yes
Max Dist. Ball to Lamp(Remote)	No Remote
Max Dist. Ball to Lamp(Tandem)	No Tandem
Max Dist. Ball to Lamp(Through)	Any = 20'

• System Chars on driver level

Rated Lamp Watts	110W
------------------	------

• Product Dimensions

Length A1	14.31 in
Length A2	13.75 in
Width B1	3.19 in
Height C1	2.63 in

• Approval & Application Chars

EMC Immunity	FCC Non-Consumer
Approbation Marks	UL, CSA, RoHS
UL Listed	Yes
CSA certificate	Yes
CEC Listing	No
Circle E logo	No
CSA E	No
cUL certificate	No

PHILIPS

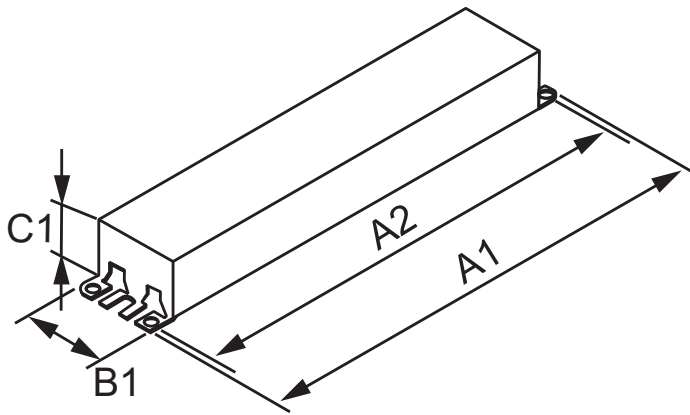
DOE	No
FIDE Certificate	No
NOM certificate	No
RoHS Compliant	Yes
SASO Certificate	No
UL Recognized	No

• Product Data

Product number	ISB084846EI
----------------	-------------

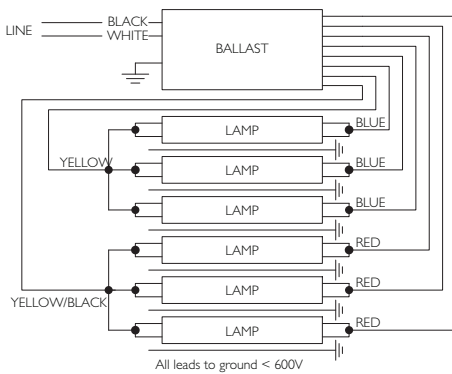
Full product name	ELE SIGN BAL (4-6) T12HO 8-48FT 120-277V
Short product name	ELE SIGN BAL (4-6) T12HO 8-48FT 120-277V
Pieces per Sku	1
Skus/Case	1
Bar code on pack	781087135792
Bar code on case	30781087135793
Logistics code(s)	913701262401
eop_net_weight_pp	6.337 kg

Dimensional drawing



SIGNPRO MAG ELE SIGN BAL (4-6) T12HO 8-48FT 120-277V

Product	A1 (Norm)	A2 (Norm)	B1 (Norm)	C1 (Norm)	D1 (Norm)
ELE SIGN BAL (4-6) T12HO 8-48FT 120-277V	14.31	13.75	3.19	2.63	-



© 2015 Koninklijke Philips N.V. (Royal Philips)
All rights reserved.

Specifications are subject to change without notice. Trademarks are the property of Koninklijke Philips N.V. (Royal Philips) or their respective owners.

www.philips.com/lighting

2015, September 30
data subject to change