



SignPRO

SIGNPRO MAG ELE SIGN BAL (1-4) T12HO 4-32FT 120-277V

Philips Advance signPRO line...a brand synonymous with full-line, high-quality sign ballasts offered exclusively to the sign industry to support the market's broad range of sign applications, now adds: ...four new energy-efficient signPRO Electronic Fluorescent Sign Ballasts for T8/HO and T12/HO High Output (800mA) Lamps. Philips Advance signPRO line...a brand synonymous with full-line, high-quality sign ballasts offered exclusively to the sign industry to support the market's broad range of sign applications, now adds: ...four new energy-efficient signPRO Electronic Fluorescent Sign Ballasts for T8/HO and T12/HO High Output (800mA) Lamps.

Product data

• General Characteristics

Lamp Type	T12/HO
Number of Lamps	1-4 piece
Input Voltage	120-277 V
Input Current (Operating)	2.26 A
Line Frequency	50-60 Hz
Lamp Footage(for sign ballast)	4 - 32 FT
Ballast Type	Electronic Fluorescent
Base Model	ISB043214EI
Housing	BL2
Housing Dimensions	14.31" x 3.19" x 2.63"
Housing Material	Metal
Suitable for Outdoor use?	Yes
Starting Method	Instant Start
Family Name	SignPRO

• Operating Characteristics

Automatic restart	Yes
Ignition time	0.1 s
Input Power Gear	265-260 W
Ballast factor	0.61 -
Ballast Efficacy Factor	0.23 -
Power Factor	0.98
Lamp Current Crest Factor	1.7 -
Sound Rating	A
Max THD	10 %

• Wiring Characteristics

Wire Striplength	0.50/0.375 mm
Lamp Connection	Parallel
Wire Gauge	18AWG

Wire Length by Color	See data sheet
Wire Type	Solid
Allowed Wiring Config(Remote)	No
Allowed Wiring Config(Tandem)	No
Allowed Wiring Config(Through)	Yes
Max Dist. Ball to Lamp(Remote)	No Remote
Max Dist. Ball to Lamp(Tandem)	No Tandem
Max Dist. Ball to Lamp(Through)	Any = 20'

• System Chars on driver level

Rated Lamp Watts	110W
------------------	------

• Product Dimensions

Length A1	14.31 in
Length A2	13.75 in
Width B1	3.19 in
Height C1	2.63 in

• Approval & Application Chars

EMC Immunity	FCC Non-Consumer
Approbation Marks	UL, CSA, RoHS
UL Listed	Yes
CSA certificate	Yes
CEC Listing	No
Circle E logo	No
CSA E	No
cUL certificate	No

PHILIPS

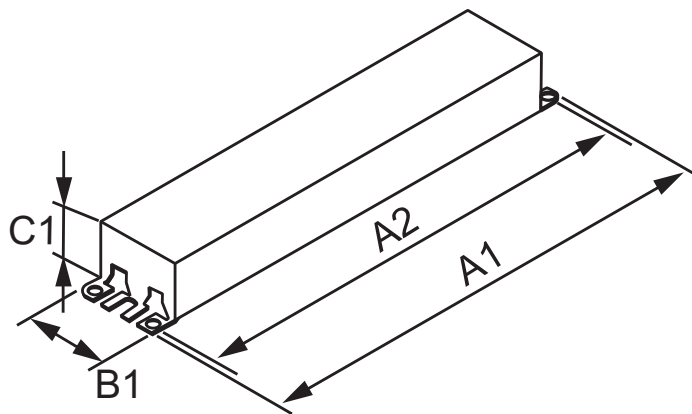
DOE No
 FIDE Certificate No
 NOM certificate No
 RoHS Compliant Yes
 SASO Certificate No
 UL Recognized No

Full product name ELE SIGN BAL (1-4) T12HO 4-32FT 120-277V
 Short product name ELE SIGN BAL (1-4) T12HO 4-32FT 120-277V
 Pieces per Sku 1
 Skus/Case 1
 Bar code on pack 781087135785
 Bar code on case 30781087135786
 Logistics code(s) 913701262301
 eop_net_weight_pp 4.523 kg

• Product Data

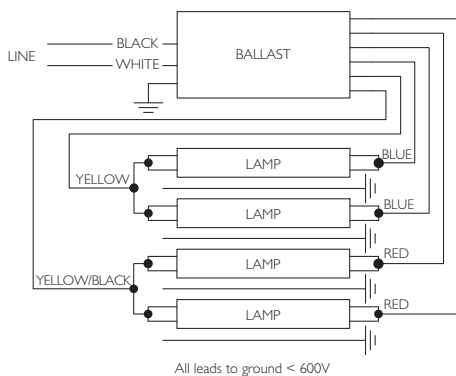
Product number ISB043214EI

Dimensional drawing



SIGNPRO MAG ELE SIGN BAL (1-4) T12HO 4-32FT 120-277V

Product	A1 (Norm)	A2 (Norm)	B1 (Norm)	C1 (Norm)	D1 (Norm)
ELE SIGN BAL (1-4) T12HO 4-32FT 120-277V	14.31	13.75	3.19	2.63	-



© 2015 Koninklijke Philips N.V. (Royal Philips)
 All rights reserved.

Specifications are subject to change without notice. Trademarks are the property of Koninklijke Philips N.V. (Royal Philips) or their respective owners.

www.philips.com/lighting

2015, September 30
 data subject to change